

EMT50[®] METAL DETECTOR

- ✓ Simple Installation
- ✓ 3-Year Warranty
- ✓ Low Maintenance
- ✓ Fast Delivery
- ✓ Corrosion Resistant

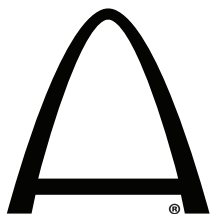
Lightweight construction is easily assembled without special tools or the need to cut the belt.



Sensitivity of 5% of aperture height detects minute tramp metals while ignoring splices and rip detection loops.

Rugged reinforced, fiberglass frame and antennas withstand harsh conditions.

- Single, field replaceable microprocessor-based controls are simple to service & maintain with interchangeable boards.
- Can be tuned to ignore conductive or magnetic and pyrite, even when carried by high-tension, steel cord belts.
- Available in any belt width.
- Can be field adjusted to fit most standard conveyor configurations.
- Model EMT 50 also available as a flat-pack, under-belt style detector.
- Typical Applications: Aggregate, Asphalt, Mining, Wood Chips, and Waste Wood.



ARCH
ENVIRONMENTAL
EQUIPMENT, INC.

"Conveying Confidence"

WHO IS ARCH ENVIRONMENTAL?

Manufacturer and worldwide distributor of preferred bulk conveyor components since 1975.



800.553.4567 www.archenv.com

MECHANICAL DIVISION

Belt Cleaners • Belt Alignment • Sealing Systems
Dust Control Systems • Impact/Slider Systems

ELECTRICAL DIVISION

Belt Scales • Metal Detectors • Pull Cord Switches
Belt Protection Devices • Conveyor Control Systems

EMT50[®] METAL DETECTOR

Features & Benefits

- **Single, Field Replaceable, Solid State plug-in Electronic Module:** Simple to service & maintain with interchangeable boards
- **Potentiometers for adjusting sensitivity:** Easy to operate
- **Function and metal indication LEDs:** Ensures you always know the status of your metal detector
- **Self Test Circuits:** Simplifies troubleshooting by automatically diagnosing problem
- **Adjustable Frequency:** Frequency adjustment can eliminate airborne interference from motors, CB radios, and other external sources
- **Flexible Design & Programming:** Customized to meet unique application requirements
- **Rugged Fiberglass Reinforced Plastic frame & Antennas:** Able to withstand the harshest environments
- **Swing away Transmitter Antenna:** Reduces the likelihood of damage from large lumps and over-burdens
- **Three year warranty:** Ensures long life of reliable service

Why Arch Environmental?

Keeping production up and running is essential to your operation. Equipment damage caused by tramp metal not only costs you time and money in replacing damaged equipment, but most importantly it costs you production time. Metal Detectors are designed to protect expensive crushers, grinders, saws and other downstream equipment from metallic contaminants while minimizing false trips. Arch offers a wide variety of detectors and sensitivities to choose from so you can be sure that you're getting the right detector for the application, all with a 1 year warranty.

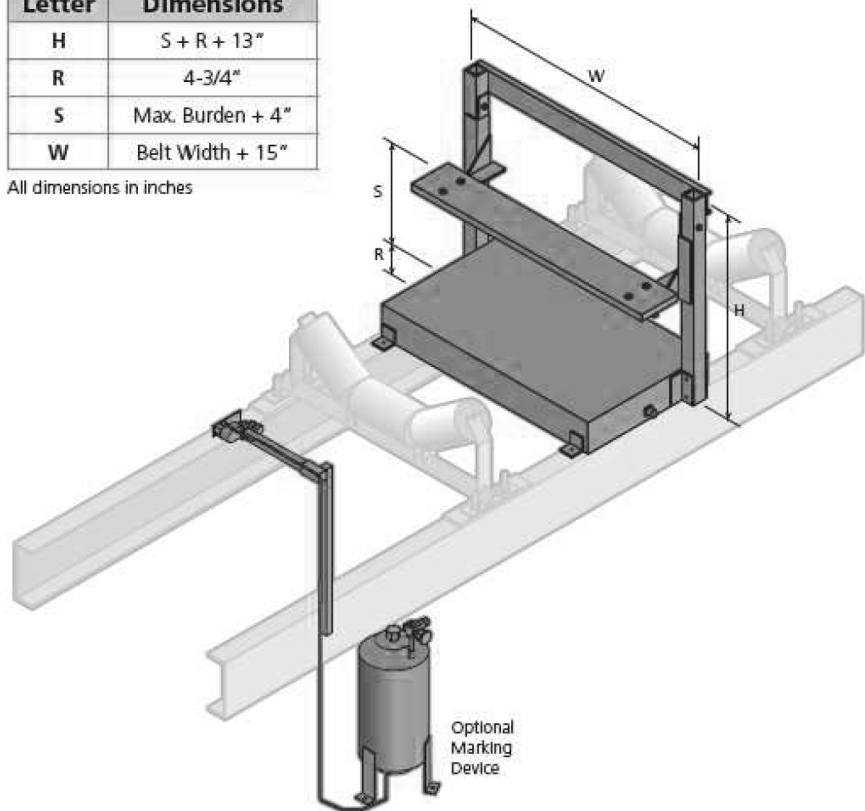
Product Specifications

| Specifications | Values |
|-----------------------|---|
| Sensitivity | 2.5% of Aperture height |
| Electronics | Field replaceable solid state electronics |
| Enclosure | NEMA 4 (IP65) standard (NEMA 4X, 7, 9 available) |
| Interconnecting Cable | 15 feet (4.5m) standard |
| Construction | Fiberglass Reinforced Plastic frame with reinforced fiberglass antennas. |
| Input Voltage | 110/220 VAC, 1ph, 50/60Hz |
| Power Required | No Output Load – 190 Watts Max. Output Load – 850 Watts |
| Outputs | Direct Output (Metal Detect) – Switched Supply (Mains) Voltage, Rated 9A Timed Output (Metal Detect) – Switched Supply (Mains) Voltage, Rated 9A |
| Operating Temperature | 14° to 120°F (-10° to +50°C) (Extended temperature ranges available on request) |

Product Drawing

| Letter | Dimensions |
|--------|------------------|
| H | S + R + 13" |
| R | 4-3/4" |
| S | Max. Burden + 4" |
| W | Belt Width + 15" |

All dimensions in inches



Covered under one or more of the following patents:
4,202,437;4,231,471;4,436,446;4,489,823;4,533,036;4,779,716;4,877,125;
4,989,727;5,149,305;5,222,588;5,222,589;5,219,063;5,350,053;5,725,083
other patents pending



Note: If available, prices vary with options.