

Data sheet

Solenoid coils for electric expansion and solenoid valves with UL approval

Type BJ and BX



BJ and BX are a series of coils with UL approval. The coils are designed to be used with Danfoss electric expansion and solenoid valves.

Features

- High reliability and long lifetime
- Easy mounting and dismounting
- UL approved coil range
- Covering standard voltage and frequency
- Two electrical connection versions

Approval

 us Listed

Data sheet | Solenoid coils, Type BJ and BX
Technical data
Design

In accordance with UL 429

Power supply

Alternating current (AC)

Permissible voltage variation

 Alternating current (AC):
 50 Hz and 60 Hz: -15% to +10%
 50/60 Hz: ± 10%

Power consumption

 Alternating current (AC): Inrush: 49 VA;
 Holding: 28 VA, 16 W

Insulation of coil wire

Class H according to IEC 85

Connection

Junction box or Conduit boss

Enclosure, IEC 60529

 Junction box NEMA 2 ~ IP 12-32
 Conduit boss NEMA 4 ~ IP 54

Ambient temperature

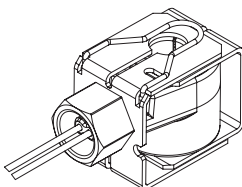
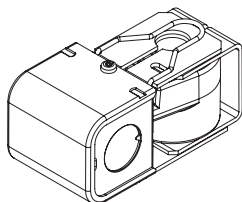
-40 – 122 °F (-40 – 50 °C)

Humidity

0 – 97% non-condensation condition

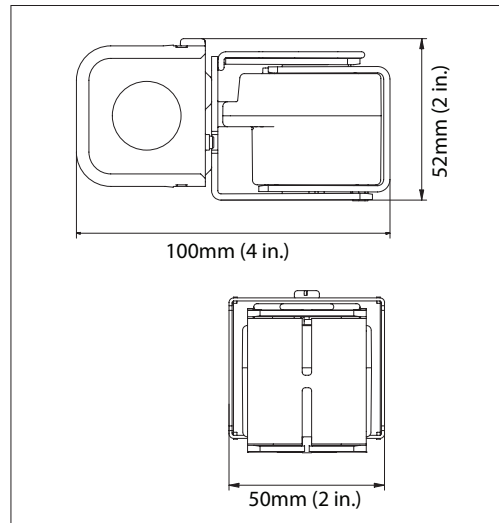
Ordering

BJ and BX Coils

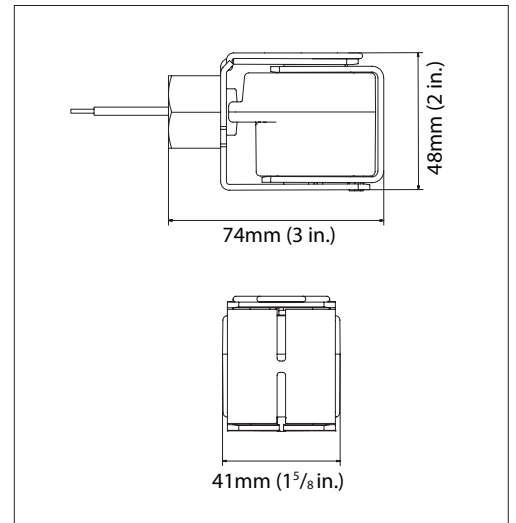


Valve type	Coil type	Wire length		Voltage [V AC]	Frequency [Hz]	Power consumption [W]	Code no.
		[in.]	[cm]				
Junction box NEMA 2							
AKV / EVR EVRH / EVRA EVRAT / EVRS EVRST / EVM EV220B 6-50 EV210B EV215B EV225B EV250B	BJ024CS	7	18	24	50 / 60	14	018F4100
	BJ120CS	7	18	110 120	50 / 60 60	16 15	018F4110
	BJ240CS	7	18	208 – 240 230	60 50	14 17	018F4120
AKVH / EVRH	BJ120BS	7	18	120	60	16	018F4130
	BJ208BS	7	18	208	60	16	018F4132
	BJ240BS	7	18	240	60	16	018F4134
Conduit boss NEMA 4							
AKV / EVR EVRH / EVRA EVRAT / EVRS EVRST / EVM EV220B 6-50 EV210B EV215B EV225B EV250B	BX024CS	18	46	24	50 / 60	14	018F4102
	BX024CS	71	180	24	50 / 60	14	018F4103
	BX024CS	98	250	24	50 / 60	14	018F4104
	BX120CS	18	46	110 120	50 / 60 60	16 15	018F4112
	BX120CS	36	91				018F4113
	BX120CS	71	180				018F4114
	BX120CS	98	250				018F4115
	BX240CS	18	46	208 – 240 230	60 50	14 17	018F4122
	BX240CS	98	250				018F4123
	AKVH / EVRH	BX120BS	98	250	120	60	16
BX208BS		98	250	208	60	16	018F4133
BX240BS		98	250	240	60	16	018F4135

Dimensions and weight



Junction box
Weight 0.860 lbs / 0.39 kg



Conduit boss
Weight 0.717 lbs / 0.33 kg