



**STRONG PARTNERS.
TOUGH TRUCKS.™**

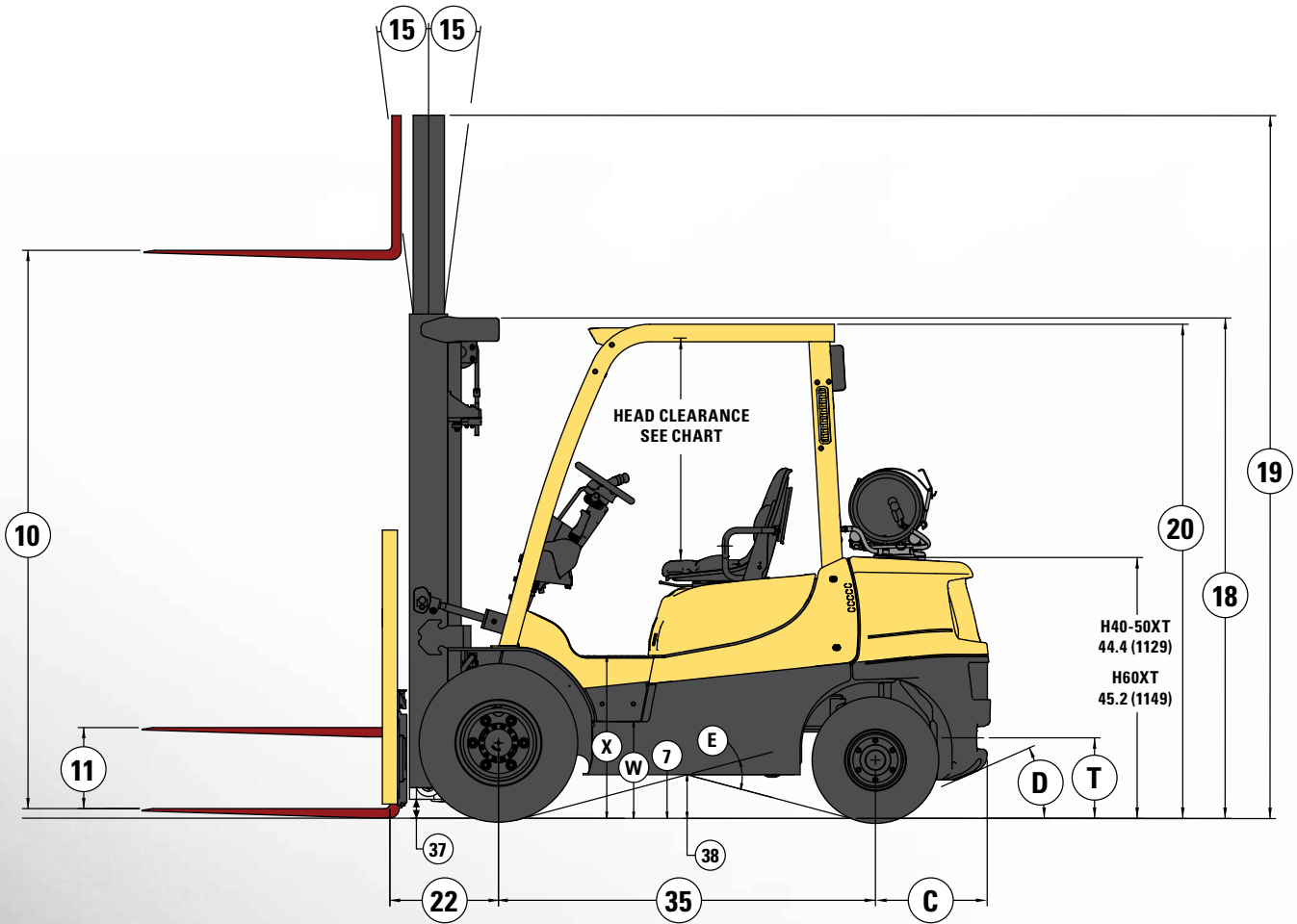


H40-60XT SERIES

TECHNICAL GUIDE

WWW.HYSTER.COM

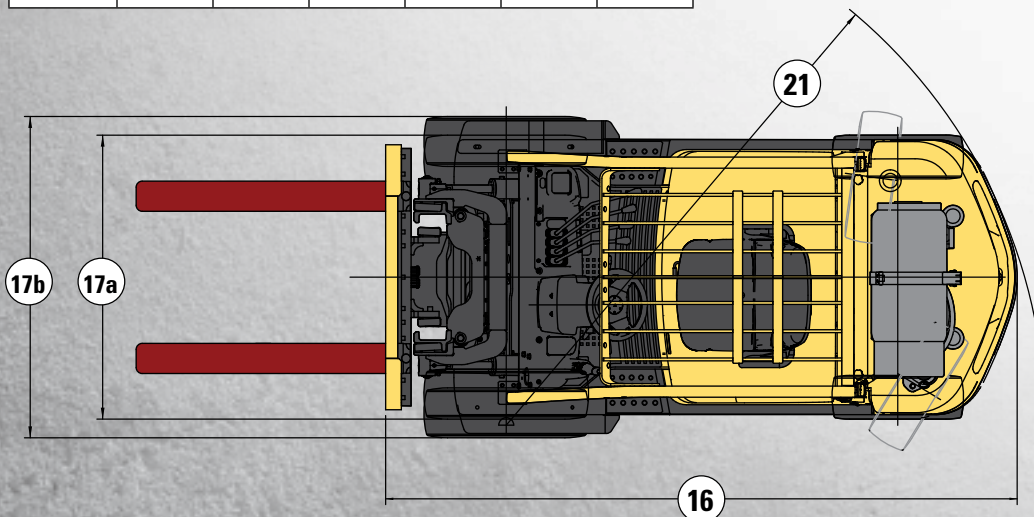
> DIMENSIONS



TRUCK MODEL	C	D	E	T	W	X
	in (mm)	percent	percent	in (mm)	in (mm)	in (mm)
H40XT	17.1 (434)	70	53	6.6 (168)	13.7 (349)	27.6 (702)
H50XT	19.5 (495)	55	53	6.6 (168)	13.7 (349)	27.6 (702)
H60XT	20.4 (518)	58	58	7.4 (168)	14.5 (369)	28.4 (722)

HEAD CLEARANCE			
Seat Type	Standard OHG*	Optional OHG*	
Non-Suspension	46.9 (1192)	43.0 (1092)	36.9 (939)
Full-Suspension	46.9 (1192)	N/A	N/A

* Seat in depressed position



Circled dimensions correspond to the line numbers on the tabulated chart inside the Technical Guide. Dimensions are in inches (mm).



SPECIFICATIONS

		HYSTER COMPANY								
GENERAL	1	Manufacturer Name	Hyster Company							
	2	Model	H40XT*	H50XT*	H60XT*					
		Engine	PSI 2.4L							
	3	Rated Capacity	lb (kg)	4000 (1814)	5000 (2268)	6000 (2722)				
	4	Load Center, Distance	in (mm)	24 (610)						
	5	Power Type - LPG, Dual Fuel		LPG	Dual Fuel	LPG	Dual Fuel	LPG	Dual Fuel	
	6	Operator Type	Sit-Down Rider							
	7	Step Height	in (mm)	16.3 (415)			17.1 (435)			
	8	Tire Type - Cushion, Solid, Pneumatic	Pneumatic							
DIMENSIONS	9	Wheels, Number - Front/ Rear	2x/2							
	10	Lift Height, Top of Fork (TOF)	in (mm)	129 (3292)			126 (3209)			
	11	Lift Heights, Standard Limited Free Lift (LFL) w/LBR (TOF)	in (mm)	5 (140)						
		Lift Heights, Optional Full Free Lift (FFL) with LBR (TOF)	in (mm)	58 (1490)						
	12	Standard Carriage Width	in (mm)	42 (1067)						
	13	Forks, Thickness x Width x Length	in (mm)	1.6 X 3.9 X 42 (40 X 100 X 1067)						
	15	Mast Tilt Angles, Forward/Backward	degrees	6/6						
	16	Length To Face of Forks	in (mm)	99.5 (2528)	101.9 (2589)			106.3 (2701)		
	17a	Overall Width, Standard Tread	in (mm)	45.7 (1162)			46.9 (1191)			
	17b	Overall Width, Wide Tread	in (mm)	52 (1322)			52.2 (1326)			
	18	Height, Standard Mast - Lowered	in (mm)	86 (2170)			89 (2245)			
	19	Height, Standard Mast - Extended with LBR	in (mm)	147 (3715)			175 (4330)			
		Height, Standard Mast - Extended without LBR	in (mm)	154 (3904)			154 (3905)			
	20	Height, Standard Overhead Guard	in (mm)	87.7 (2228)			88.6 (2250)			
		Height, Optional Overhead Guard	in (mm)	83.8 (2128)			84.6 (2150)			
	21	Turning Radius, Minimum Outside (OTR)	in (mm)	85.7 (2178)	88 (2236)			91.5 (2324)		
	22	Length, Center of Wheel to Face of Forks	in (mm)	18.5 (471)			19 (483)			
	23	Aisle Width, Right Angle Stack (Add Length of Load)	in (mm)	104.3 (2649)			106.6 (2707)			
	24	Equal Aisle, 90-Degree Intersecting Aisle	in (mm)	79.9 (2030)			80.9 (2056)			
	PERFORMANCE	25	Travel Speed, Powershift Transmission RL/NL	mph (km/h)	11.4/11.6 (18.4/18.6)			12.3/12.4 (19.8/20)		
		26	Lift Speed, Standard 2-Stage LFL RL/NL	ft/min (m/s)	128/134 (0.65/0.68)			112/118 (0.57/0.60)		
			Lift Speed, Optional 3-Stage FFL RL/NL	ft/min (m/s)	120/126 (0.61/0.64)			106/112 (0.54/0.57)		
		27	Lowering Speed, Standard 2-Stage LFL RL/NL	ft/min (m/s)	114/98 (0.58/0.50)					
			Lowering Speed, Optional 3-Stage FFL RL/NL	ft/min (m/s)	114/98 (0.58/0.50)					
28		Maximum drawbar pull RL/NL	lb (kg)	4947/2282 (2244/1035)	4916/2217 (2230/1006)			4438/2534 (2013/1149)		
		Drawbar Pull, Standard Transmission @ 1 mph RL/NL	lb (kg)	4186/2282 (1899/1035)			3792/2534 (1720/1149)			
29		Gradeability, Standard Transmission @ 1 mph RL/NL	Percent	35.9/31.5			30.2/27.6			
WT.		31	Weight, Standard Truck (2-Stg. LFL 84/127) NL	lb (kg)	8170 (3705)			8910 (4040)		
			Weight, Standard Truck (2-Stg. LFL 84/127) RL	lb (kg)	12170 (5520)			13910 (6308)		
	32	Axle Loading, Static Front/Rear NL	lb (kg)	3855/4311 (1748/1955)			3695/5210 (1676/2363)			
		Axle Loading, Static Front/Rear RL	lb (kg)	10518/1648 (4770/747)			12024/1881 (5453/853)			
TIRES & WHEELS	33	Tire Size, Front	7.00 x 12 - 12							
	34	Tire Size, Rear	6.00 x 9							
	35	Wheelbase	in (mm)	63.9 (1623)			66.9 (1700)			
	37	Ground Clearance, Lowest Point NL (w/RL subtract-6mm)	in (mm)	3.3 (84)			4.1 (104)			
	38	Ground Clearance, Center of Wheelbase NL	in (mm)	7.5 (190)			8.3 (210)			
	39	Service Brake - Method of Control/Operation	Foot/Hydraulic							
	40	Parking Brake - Method of Control/Operation	Hand/Mechanical							
	41	Battery Type	Maintenance Free							
POWERTRAIN	42	Volts/Cold Cranking Amps	v/cca	12/475						
	43	Engine, Manufacturer/Model	PSI 2.4L							
	44	Permanent Output @ Rated RPM	hp (kw)	62 (46) @ 2700 RPM						
	45	Torque @ Rated RPM	ft/lbs (kg/m)	124 (17.1) @ 1600 RPM						
	46	Number of Cylinders/Displacement	No/cc (ci)	4/2351 (143)						
	47	Transmission Type, Standard	Electronic Powershift							
		Standard Speeds, Forward - Reverse	1-1							
	49	Hydraulic Tank Capacity (Drain and Refill)	gal (liter)	11.1 (42)						
	50	Fuel Tank Capacity (LPG & Dual Fuel Powered Units Only)	gal (liter)	18.2 (69)						
	51	Auxiliary Hydraulic Pressure Relief for Attachments	PSI (Mpa)	2550 (17.6)						

* This model may be equipped with an optional load weight system with an auxiliary display. The system must be calibrated for best results. The mast must be vertical and the forks at 350mm (14"). If these procedures are met the weight indicated on the display will be +/- 8%.

CERTIFICATION: Hyster lift trucks meet the design and construction requirements of B56.1-1969, per OSHA Section 1910.178(a)(2), and also comply with the B56.1 revision in effect at time of manufacture. Certification of compliance with the applicable ANSI standards appears on the lift truck.

Performance specifications / ratings are for truck equipped as described under Standard Equipment in this Technical Guide. Performance specifications are affected by the condition of the vehicle and how it is equipped, as well as by the nature and condition of the operating area. Specifications are subject to change and the proposed application should be discussed with your authorized Hyster Company Dealer.

Limited by traction. For further information on this dimension, please contact your local Hyster® dealer.

H40-50XT MAST SPECIFICATIONS							
Maximum Fork Height (TOF) †	Overall Lowered Height	Overall Extended Height		Free-Lift (TOF)		Approximate Total Weight of Standard Equipped Truck*	
		w/ Load Backrest	w/o Load Backrest	w/ Load Backrest	w/o Load Backrest	H40XT	H50XT
in (mm)	in (mm)	in (mm)	in (mm)	in (mm)	in (mm)	lbs (kg)	lbs (kg)
2-STAGE LIMITED FREE-LIFT (LFL) VISTA™PLUS MAST							
129 (3290)	86 (2170)	178 (4515)	154 (3904)	5 (140)	5 (140)	7990 (3624)	8720 (3955)
3-STAGE FULL FREE-LIFT (FFL) VISTA™PLUS MAST							
171 (4350)	78 (1970)	220 (5570)	195 (4935)	29 (750)	54 (1390)	8270 (3751)	9000 (4082)
189 (4800)	84 (2120)	237 (6020)	213 (5385)	35 (900)	60 (1540)	8340 (3783)	9080 (4119)
194 (4950)	86 (2170)	243 (6170)	218 (5535)	37 (950)	62 (1590)	8370 (3797)	9110 (4132)
200 (5100)	90 (2270)	249 (6320)	224 (5685)	41 (1050)	66 (1690)	8410 (3815)	9150 (4150)
218 (5550)	96 (2420)	267 (6770)	242 (6135)	47 (1200)	72 (1840)	8500 (3856)	9240 (4191)
† Lift heights over 171.5" (4356 mm) max. fork height are considered highlifts and require reduced capacity and restricted back tilt. * Total approximate weights listed include mast, standard carriage, load backrest extension, pneumatic tires and 70 lbs. LP tank and tank bracket. RL = Rated Load NL = No Load							

H60XT MAST SPECIFICATIONS							
Maximum Fork Height (TOF) †	Overall Lowered Height	Overall Extended Height		Free-Lift (TOF)		Approximate Total Weight of Standard Equipped Truck*	
		w/ Load Backrest	w/o Load Backrest	w/ Load Backrest	w/o Load Backrest	H60XT	
in (mm)	in (mm)	in (mm)	in (mm)	in (mm)	in (mm)	lbs (kg)	
2-STAGE LIMITED FREE-LIFT (LFL) VISTA™PLUS MAST							
126 (3209)	89 (2245)	175 (4430)	154 (3905)	5 (150)	5 (150)	10050 (4559)	
3-STAGE FULL FREE-LIFT (FFL) VISTA™PLUS MAST							
181 (4615)	87 (2195)	230 (5840)	208 (5260)	37 (965)	63 (1600)	10410 (4722)	
187 (4768)	91 (2295)	236 (5990)	213 (5410)	41 (1065)	65 (1655)	10460 (4745)	
211 (5368)	101 (2545)	260 (6590)	237 (6010)	51 (1315)	75 (1905)	10590 (4804)	
228 (5815)	107 (2695)	278 (7040)	256 (6495)	57 (1465)	80 (2055)	10770 (4885)	
† Lift heights over 171.5" (4356 mm) max. fork height are considered highlifts and require reduced capacity and restricted back tilt. * Total approximate weights listed include mast, standard carriage, load backrest extension, pneumatic tires and 70 lbs. LP tank and tank bracket. RL = Rated Load NL = No Load							



FEATURES AND OPTIONS

STANDARD EQUIPMENT

PSI 2.4L LPG engine	Rubber floor mat
Electronic powershift transmission	High air intake
Monotrol® pedal directional control	Integral tie downs
2-stage LFL VISTA™PLUS mast	Operator restraint system
42" wide hook-type carriage with 48" tall load backrest	Aluminum core, anti-clog radiator
42" forks	Single pedal inch brake
6° forward / 6° back tilt	Hyster Stability System (HSS®)
3-function hydraulic control valve	Cowl-mounted mechanical hydraulic control levers
Integrated dashboard display	Fixed LPG tank bracket
Hydrostatic power steering	88" overhead guard
Non-suspension vinyl seat with non-cinch seat belt	UL classification LP
Electronic horn	Counterweight exhaust
Keyswitch start	1 year / 2,000 hour full truck warranty
Adjustable steer column	3 years / 6,000 hour powertrain warranty


OPTIONAL EQUIPMENT

PSI 2.4L dual fuel engine	Full suspension seat – vinyl or cloth
Column-mounted directional shift lever	Red, high-visibility, non-cinch seat belt
High air intake with pre-cleaner	Glass or polycarbonate overhead guard rain top
Accumulator	Integral sideshifter
Keyless start (with auxiliary key switch)	Integral sideshifting fork positioner
Front and rear halogen or LED work lights	Dual inch brake pedals
Anti-clog plus radiator	Dual side view mirrors
Fire extinguisher	Audible alarm – reverse activated
Load weight display	Visible alarm – amber strobe
Swing-out LPG tank bracket	Visible alarm – blue spot light
TouchPoint mini-lever hydraulic controls	Various light packages
Return-to-set-tilt (cowl mounted mechanical levers only)	Overhead exhaust
Rear drive handle with horn button	Pneumatic shaped solid tires
10° forward / 6° back tilt	Non-marking pneumatic shaped solid tires
Clamping hydraulic control with detent	Wide tread
4-function hydraulic control valve	Tilt cylinder boots
84" overhead guard	Traction speed limiter
Operator cab kit with heater	Telemetry (3 levels)
12-volt power supply	L1: Wireless monitoring (cellular or WiFi)
Belly screen	L2: Wireless access (for use with operator swipe cards)
Frame mounted external tie downs	L3: Wireless verification (facilitates operator checklist functionality)



Hyster Company
P.O. Box 7006
Greenville, North Carolina
27835-7006
Part No. H40-60XT/TG
2/2018 Litho in U.S.A.

Visit us online at www.hyster.com or call us at **1-800-HYSTER-1**.

Hyster, , and STRONG PARTNERS. TOUGH TRUCKS. and MONOTROL are registered trademarks in the United States and certain other jurisdictions. Hyster products are subject to change without notice.

Trucks may be shown with optional equipment. © 2018 Hyster Company. All rights reserved.