

TXROLLER

PRODUCT CATALOG



Hebei TongXiang Conveyor Machinery Co.,Ltd.
www.txroller.com

CONTENT

P01 Company Profile

P02 Photo Gallery

P03 Photo Gallery

CEMA B

P04 Troughing Idlers (Equal Length Rollers)

P05 Rubber Cushion Impact Troughing Idlers

P06 Return Idlers

P06 Flat Idlers

P06 Rubber Cushion Return Idlers

P07 Self-Aligning Troughing Idlers

P07 Self-Aligning Return Idlers

P08 Offset Center Roller Idlers

CEMA C

P09 Troughing Idlers (Equal Length Rollers) - 4" Diameter

P10 Troughing Idlers (Equal Length Rollers) - 5" Diameter

P11 Troughing Idlers (Equal Length Rollers) - 6" Diameter

P12 Return Idlers

P12 Flat Idlers

P13 Rubber Cushion Impact Troughing Idlers - 4" Diameter

P14 Rubber Cushion Impact Troughing Idlers - 5" Diameter

P15 Rubber Cushion Impact Troughing Idlers - 6" Diameter

P16 Rubber Cushion Return Idlers

P16 Self-Aligning Return Idlers

P17 Self-Aligning Troughing Idlers - 4" Diameter

P18 Self-Aligning Troughing Idlers - 5" Diameter

P19 Self-Aligning Troughing Idlers - 6" Diameter

P20 Troughing Idlers (Unequal Length Rollers)

P21 Offset Center Roller Idlers

P22 Feeder / Picking Troughing Idlers

CEMA D

P23 Troughing Idlers (Equal Length Rollers)

P24 Return Idlers

P24 Flat Idlers

P25 Rubber Cushion Impact Troughing Idlers

P26 Rubber Cushion Return Idlers

P26 Rubber Cushion Flat Idlers

P27 Self-Aligning Troughing Idlers

P28 Self-Aligning Return Idlers

P28 Feeder / Picking Troughing Idlers

P29 Troughing Idlers (Unequal Length Rollers)

CEMA E

P30 Troughing Idlers (Equal Length Rollers)

P31 Rubber Cushion Impact Troughing Idlers

P31 Rubber Cushion Return Idlers

P32 Self-Aligning Troughing Idlers

P33 Return Idlers

P33 Rubber Cushion Flat Idlers

P33 Flat Idlers

P33 Return Aligning Idlers

P34 CEMA B & CEMA C Replacement Idler Rollers

P35 CEMA D & CEMA E Replacement Idler Rollers



TongXiang Roller

Hebei TongXiang Conveyor Machinery Co.,Ltd.

Hebei TongXiang Conveyor Machinery Co.,Ltd. is a modern company,founded in 2004, manufacture conveyor rollers & accessories, including rollers, pulleys and roller frames, widely used in bulk material handling industries.

In addition,we can fabricate idlers rollers in OEM service. Also manufacture in different standards,such as JIS CEMA DIN SABS AS standard, etc.With more than ten years' experience and professional engineers,our products have exported to many countries all over the world,especially USA, Canada, UK, Denmark, Greece, South America, Australia, Asia, South Africa and Middle East, and got good feedback and a long term cooperation relationship with them.

Together,we make it better. As the forefront of idler technology, design and construction, the primary objective of the company is to supply idlers, idler technology, pulleys and conveyor components as a front-line product.

TXROLLER

PRODUCT DISPLAY



STEEL ROLLER



HDPE ROLLER



CARRIER ROLLER



RUBBER DISC ROLLER



TROUGHING CARRIER ROLLER



SELF ALIGNING CARRIER ROLLER



TROUGHING IMPACT ROLLER



TongXiang Roller

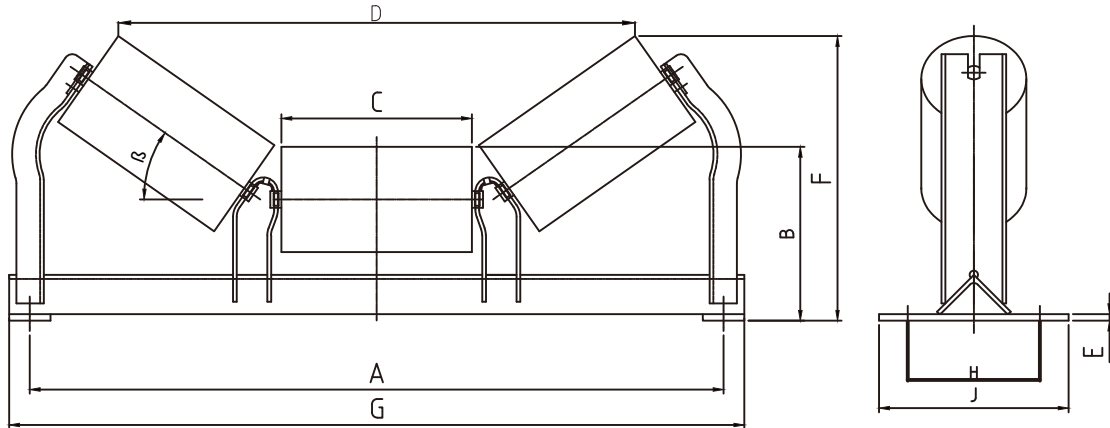
Hebei TongXiang Conveyor Machinery Co.,Ltd.

Add: No.8 Chuangye Road, Zaoqiang County, Hengshui City, Hebei Province,China 053000

Tel: +86-311-6656 0874 / 6656 0831

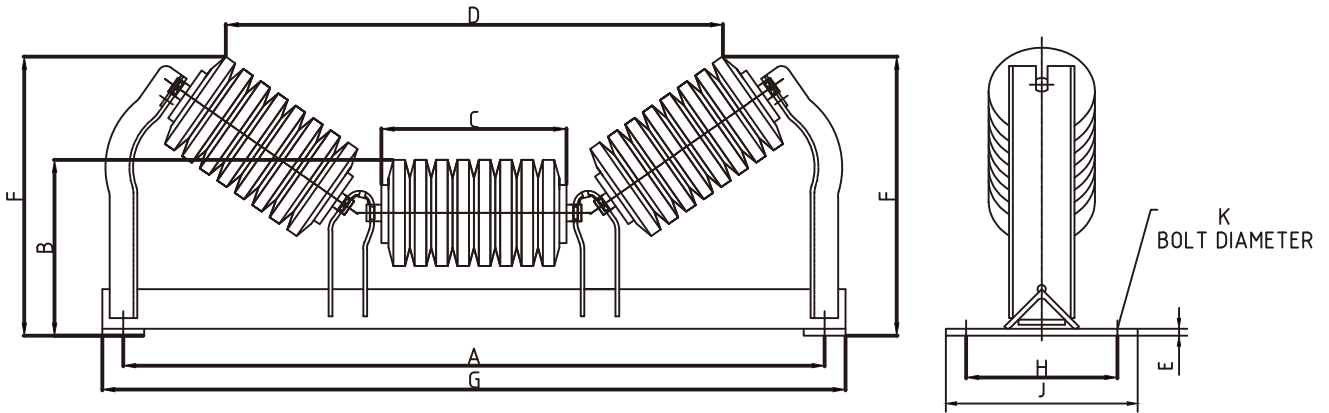
Mobile: +86-136 0321 6223

TROUGHING IDLERS (EQUAL LENGTH ROLLERS - 4" & 5" DIAMETER)



	PART NUMBER		BW	A	B		C	D		E	F		G	H	J	K	WT	
	4"	5"			4"	5"		4"	5"		4"	5"					4"	5"
20°	B4-20E-14	B5-20E-14	14	23	7	7 1/2	6 1/16	17 11/16	17 1/4	3/16	9	9 3/8	25	6	8	1/2	24	28
	B4-20E-16	B5-20E-16	16	25	7	7 1/2	6 1/16	17 11/16	17 1/4	3/16	9	9 3/8	27	6	8	1/2	25	30
	B4-20E-18	B5-20E-18	18	27	7	7 1/2	7 1/16	21 11/16	20 3/4	3/16	9 3/8	9 1/2	29	6	8	1/2	26	32
	B4-20E-20	B5-20E-20	20	29	7	7 1/2	7 11/16	22 7/8	22 9/16	3/16	9 5/8	10 1/16	31	6	8	1/2	29	34
	B4-20E-24	B5-20E-24	24	33	7	7 1/2	9 1/16	27 3/8	27 1/16	3/16	10 1/16	10 5/8	35	6	8	1/2	31	39
	B4-20E-30	B5-20E-30	30	39	7	7 1/2	11 1/16	33 11/16	33 5/16	3/16	10 15/16	11 3/8	41	6	8	1/2	39	48
	B4-20E-36	B5-20E-36	36	45	7	7 1/2	13 1/16	39 3/4	39 7/16	3/16	11 5/8	12 1/8	47	6	8	1/2	45	55
	B4-20E-42	B5-20E-42	42	51	7 1/2	8	15 1/16	45 9/16	45 1/4	1/4	12 11/16	13 1/8	53	7 1/2	9 1/2	5/8	57	72
	B4-20E-48	B5-20E-48	48	57	7 1/2	8	17 1/16	51 11/16	51 5/16	1/4	13 3/8	13 7/8	59	7 1/2	9 1/2	5/8	64	80
35°	B4-35E-18	B5-35E-18	18	27	7	7 1/2	7 1/16	19 5/16	18 11/16	3/16	11	11 7/16	29	6	8	1/2	28	34
	B4-35E-20	B5-35E-20	20	29	7	7 1/2	7 11/16	20 15/16	20 3/8	3/16	11 3/8	11 13/16	31	6	8	1/2	30	37
	B4-35E-24	B5-35E-24	24	33	7	7 1/2	9 1/16	25 1/16	24 1/2	3/16	12 5/16	12 11/16	35	6	8	1/2	34	41
	B4-35E-30	B5-35E-30	30	39	7	7 1/2	11 1/16	30 13/16	30 1/4	3/16	13 9/16	14	41	6	8	1/2	42	51
	B4-35E-36	B5-35E-36	36	45	7	7 1/2	13 1/16	36 7/16	35 7/8	3/16	14 13/16	15 3/16	47	6	8	1/2	48	58
	B4-35E-42	B5-35E-42	42	51	7 1/2	8	15 1/16	41 11/16	41 1/4	1/4	16 3/8	16 13/16	53	7 1/2	9 1/2	5/8	61	73
	B4-35E-48	B5-35E-48	48	57	7 1/2	8	17 1/16	47 5/16	48 5/16	1/4	17 5/8	18	59	7 1/2	9 1/2	5/8	68	81
	B4-35E-54	B5-35E-54	54	63	7 1/2	8	19 1/16	53 11/16	53 1/2	1/4	18 3/8	18 7/8	65	7 1/2	9 1/2	5/8	75	90
45°	B4-45E-18	B5-45E-18	18	27	7	7 1/2	7 1/16	18	17 5/16	3/16	12 1/16	12 7/16	29	6	8	1/2	30	35
	B4-45E-20	B5-45E-20	20	29	7	7 1/2	7 11/16	19 1/2	18 13/18	3/16	12 1/2	12 13/16	31	6	8	1/2	31	38
	B4-45E-24	B5-45E-24	24	33	7	7 1/2	9 1/16	23 5/16	22 9/16	3/16	13 9/16	13 15/16	35	6	8	1/2	35	44
	B4-45E-30	B5-45E-30	30	39	7	7 1/2	11 1/16	28 9/16	27 7/8	3/16	15 3/16	15 1/2	41	6	8	1/2	43	52
	B4-45E-36	B5-45E-36	36	45	7	7 1/2	13 1/16	33 11/16	33	3/16	16 11/16	17	47	6	8	1/2	50	60
	B4-45E-42	B5-45E-42	42	51	7 1/2	8	15 1/16	38 1/2	37 13/16	1/4	18 9/16	18 7/8	53	7 1/2	9 1/2	5/8	62	75
	B4-45E-48	B5-45E-48	48	57	7 1/2	8	17 1/16	43 5/8	42 15/16	1/4	19 9/16	20 3/8	59	7 1/2	9 1/2	5/8	71	82
	B4-45E-54	B5-45E-54	54	63	7 1/2	8	19 1/16	49 11/16	48 1/2	1/4	20 3/8	20 7/8	65	7 1/2	9 1/2	5/8	78	94

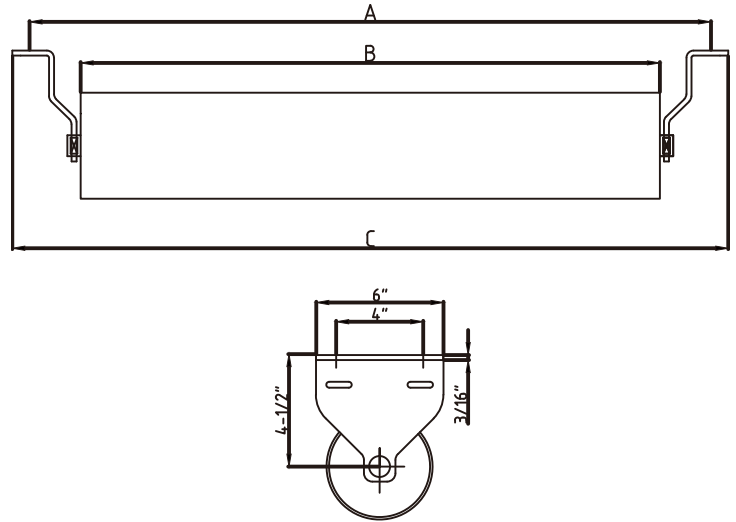
RUBBER CUSHION IMPACT TROUGHING IDLERS-4" & 5" DIAMETER



	PART NUMBER		BW	A	B		C	D		E	F		G	H	J	K	WT	
	4"	5"			4"	5"		4"	5"		4"	5"					4"	5"
20°	B4-20EI-18	B5-20EI-18	18	27	7	7 1/2	7 1/16	20 9/16	20 1/4	1/4	9 1/4	9 3/8	29	6	8	1/2	34	41
	B4-20EI-20	B5-20EI-20	20	29	7	7 1/2	7 11/16	22 3/8	22 1/16	1/4	9 1/2	9 15/16	31	6	8	1/2	35	42
	B4-20EI-24	B5-20EI-24	24	33	7	7 1/2	9 1/16	26 7/8	26 9/16	1/4	9 15/16	10 1/2	35	6	8	1/2	42	50
	B4-20EI-30	B5-20EI-30	30	39	7	7 1/2	11 1/16	33 3/16	32 13/16	1/4	10 13/16	11 1/4	41	6	8	1/2	53	61
	B4-20EI-36	B5-20EI-36	36	45	7	7 1/2	13 1/16	39 1/4	38 15/16	1/4	11 1/2	12	47	6	8	1/2	69	76
	B4-20EI-42	B5-20EI-42	42	51	7 1/2	8	15 1/16	45 1/16	44 3/4	5/16	12 9/16	13	53	7 1/2	9 1/2	5/8	88	97
	B4-20EI-48	B5-20EI-48	48	57	7 1/2	8	17 1/16	51 3/16	50 13/16	5/16	13 1/4	13 3/4	59	7 1/2	9 1/2	5/8	101	108
35°	B4-35EI-18	B5-35EI-18	18	27	7	7 1/2	7 1/16	18 15/16	18 5/16	1/4	10 7/8	11 5/16	29	6	8	1/2	36	43
	B4-35EI-20	B5-35EI-20	20	29	7	7 1/2	7 11/16	20 9/16	20	1/4	11 1/4	11 1/16	31	6	8	1/2	37	44
	B4-35EI-24	B5-35EI-24	24	33	7	7 1/2	9 1/16	24 11/16	24 1/8	1/4	12 3/16	12 9/16	35	6	8	1/2	44	52
	B4-35EI-30	B5-35EI-30	30	39	7	7 1/2	11 1/16	30 7/16	29 7/8	1/4	13 7/16	13 7/8	41	6	8	1/2	55	63
	B4-35EI-36	B5-35EI-36	36	45	7	7 1/2	13 1/16	36 1/16	35 1/2	1/4	14 11/16	15 1/16	47	6	8	1/2	71	78
	B4-35EI-42	B5-35EI-42	42	51	7 1/2	8	15 1/16	41 5/16	40 3/4	5/16	16 1/4	16 11/16	53	7 1/2	9 1/2	5/8	90	99
	B4-35EI-48	B5-35EI-48	48	57	7 1/2	8	17 1/16	46 15/16	46 3/8	5/16	17 1/2	17 7/8	59	7 1/2	9 1/2	5/8	103	110
45°	B4-45EI-18	B5-45EI-18	18	27	7	7 1/2	7 1/16	17 5/8	16 15/16	1/4	11 7/8	12 11/16	29	6	8	1/2	39	43
	B4-45EI-20	B5-45EI-20	20	29	7	7 1/2	7 11/16	19 1/8	18 7/16	1/4	12 1/3	12 5/8	31	6	8	1/2	38	45
	B4-45EI-24	B5-45EI-24	24	33	7	7 1/2	9 1/16	22 15/16	22 3/16	1/4	13 3/8	13 3/4	35	6	8	1/2	46	54
	B4-45EI-30	B5-45EI-30	30	39	7	7 1/2	11 1/16	27 15/16	27 1/2	1/4	15	15 5/16	41	6	8	1/2	57	65
	B4-45EI-36	B5-45EI-36	36	45	7	7 1/2	13 1/16	33 5/16	32 5/8	1/4	16 1/2	16 13/16	47	6	8	1/2	73	81
	B4-45EI-42	B5-45EI-42	42	51	7 1/2	8	15 1/16	38 1/8	37 7/16	5/16	18 3/8	18 11/16	53	7 1/2	9 1/2	5/8	92	101
	B4-45EI-48	B5-45EI-48	48	57	7 1/2	8	17 1/16	43 1/4	42 9/16	5/16	19 3/8	20 3/16	59	7 1/2	9 1/2	5/8	105	112

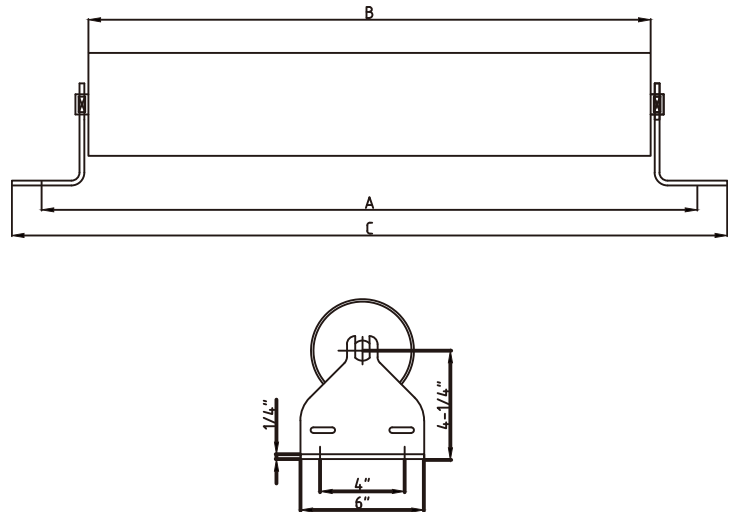
RETURN IDLER - 4" & 5" DIAMETER

PART NUMBER		BW	A	B	C	WT	
4"	5"					4"	5"
B4-RET-14	B5-RET-14	14	23	17 5/16	24 1/2	16	19
B4-RET-16	B5-RET-16	16	25	19 5/16	26 1/2	17	21
B4-RET-18	B5-RET-18	18	27	21 5/16	28 1/2	18	23
B4-RET-20	B5-RET-20	20	29	23 5/16	30 1/2	19	24
B4-RET-24	B5-RET-24	24	33	27 5/16	34 1/2	22	27
B4-RET-30	B5-RET-30	30	39	33 5/16	40 1/2	24	32
B4-RET-36	B5-RET-36	36	45	39 5/16	46 1/2	29	36
B4-RET-42	B5-RET-42	42	51	45 5/16	52 1/2	34	41
B4-RET-48	B5-RET-48	48	57	51 5/16	58 1/2	36	44



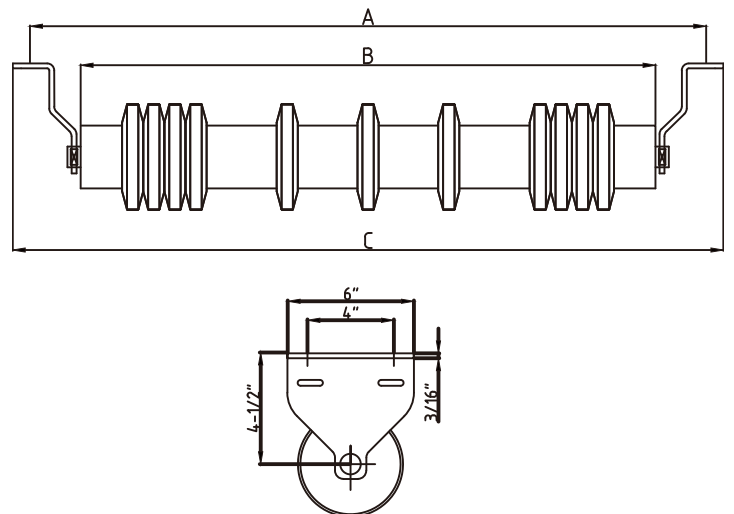
FLAT IDLERS - 4" & 5" DIAMETER

PART NUMBER		BW	A	B	C	WT	
4"	5"					4"	5"
B4-FLT-14	B5-FLT-14	14	23	17 5/16	24 15/16	16	19
B4-FLT-16	B5-FLT-16	16	25	19 5/16	26 15/16	17	21
B4-FLT-18	B5-FLT-18	18	27	21 5/16	28 15/16	18	23
B4-FLT-20	B5-FLT-20	20	29	23 5/16	30 15/16	19	24
B4-FLT-24	B5-FLT-24	24	33	27 5/16	34 15/16	21	28
B4-FLT-30	B5-FLT-30	30	39	33 5/16	40 15/16	25	32
B4-FLT-36	B5-FLT-36	36	45	39 5/16	46 15/16	28	37
B4-FLT-42	B5-FLT-42	42	51	45 5/16	52 15/16	31	41
B4-FLT-48	B5-FLT-48	48	57	51 5/16	58 15/16	34	46

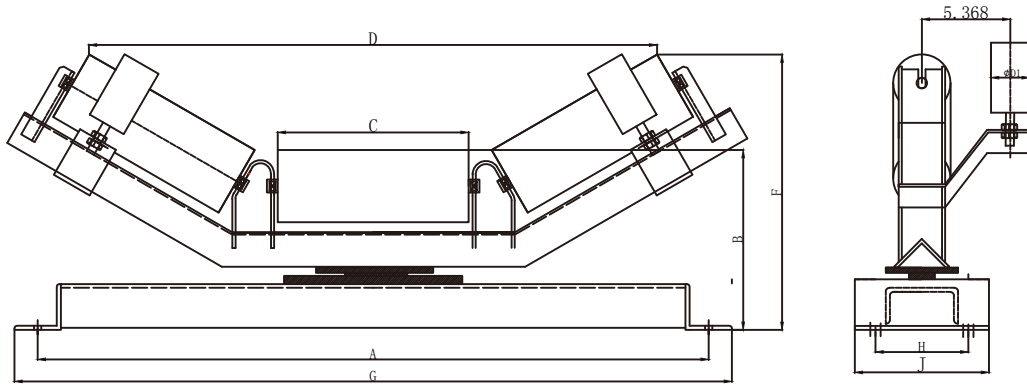


RUBBER CUSHION RETURN IDLERS - 4" & 5" DIAMETER

PART NUMBER		BW	A	B	C	WT	
4"	5"					4"	5"
B4-RETI-18	B5-RETI-18	18	27	21 7/16	28 7/16	21	26
B4-RETI-24	B5-RETI-24	24	33	27 7/16	34 7/16	24	30
B4-RETI-30	B5-RETI-30	30	39	33 7/16	40 7/16	27	35
B4-RETI-36	B5-RETI-36	36	45	39 7/16	46 7/16	33	39
B4-RETI-42	B5-RETI-42	42	51	45 7/16	52 7/16	35	42
B4-RETI-48	B5-RETI-48	48	57	51 7/16	58 7/16	37	48

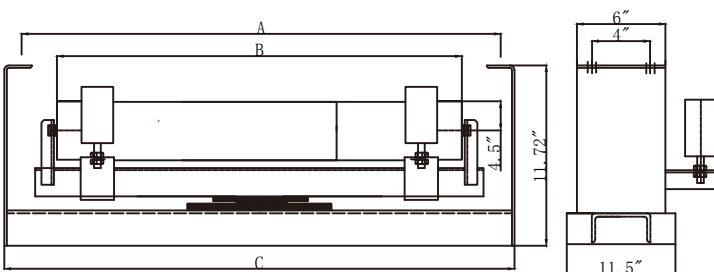


SELF-ALIGNING TROUGHING IDLERS - 4" & 5" DIAMETER



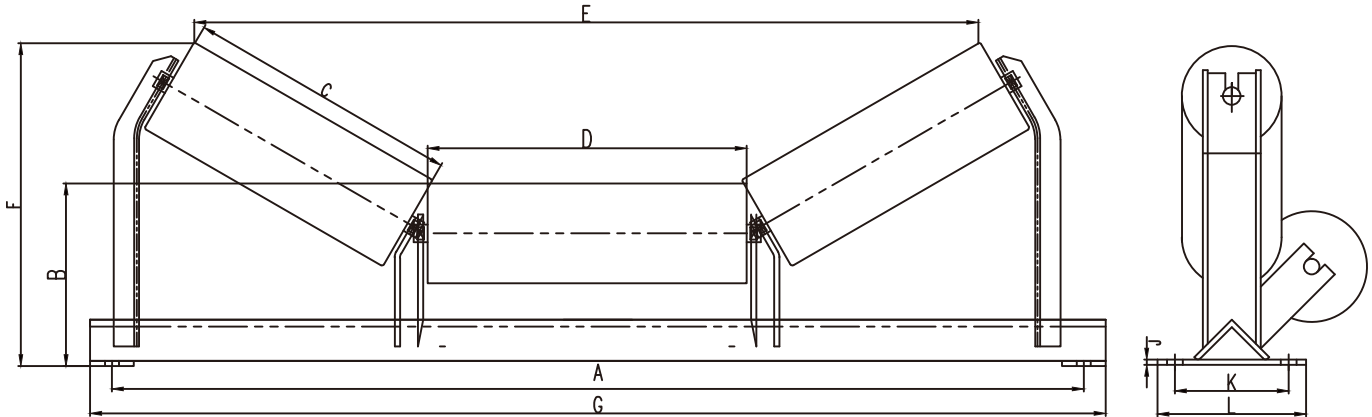
	PART NUMBER		BW	A	B		C	D		E	F		G	H	J	K	WT	
	4"	5"			4"	5"		4"	5"		4"	5"					4"	5"
20°	B4-20EA-18	B5-20EA-18	18	27	8 7/8	9 3/8	7 1/16	21 15/16	21 5/8	30 5/8	11 4/9	11 7/8	28 7/8	6	11 1/2	5/8	52	61
	B4-20EA-24	B5-20EA-24	24	33	8 7/8	9 3/8	9 1/16	27 11/16	27 3/8	36 3/8	12 1/8	12 4/7	34 7/8	6	11 1/2	5/8	70	76
	B4-20EA-30	B5-20EA-30	30	39	8 15/16	9 7/16	11 1/16	33 7/16	33 1/8	42 3/16	12 7/8	13 1/3	40 7/8	6	11 1/2	5/8	92	95
	B4-20EA-36	B5-20EA-36	36	45	8 15/16	9 7/16	13 1/16	39 1/5	38 7/8	47 15/16	13 9/16	14	46 7/8	6	11 1/2	5/8	97	100
	B4-20EA-42	B5-20EA-42	42	51	9 5/16	9 13/16	15 1/16	44 15/16	44 5/8	53 15/16	14 5/8	15	52 7/8	6	11 1/2	5/8	118	127
	B4-20EA-48	B5-20EA-48	48	57	9 5/16	9 13/16	17 1/16	50 11/16	50 3/8	59 1/16	15 1/3	15 3/4	58 7/8	6	11 1/2	5/8	150	161
35°	B4-35EA-18	B5-35EA-18	18	27	8 7/8	9 3/8	7 1/16	19 5/16	18 11/16	32 13/16	13	13 1/2	28 7/8	6	11 1/2	5/8	53	62
	B4-35EA-24	B5-35EA-24	24	33	8 7/8	9 3/8	9 1/16	25 1/16	24 1/2	38 3/16	14 1/8	14 11/16	34 7/8	6	11 1/2	5/8	71	77
	B4-35EA-30	B5-35EA-30	30	39	8 15/16	9 7/16	11 1/16	30 13/16	30 1/4	44 3/16	15 5/16	15 7/8	40 7/8	6	11 1/2	5/8	94	97
	B4-35EA-36	B5-35EA-36	36	45	8 15/16	9 7/16	13 1/16	36 7/16	35 7/8	48 15/16	16 7/16	17	46 7/8	6	11 1/2	5/8	99	102
	B4-35EA-42	B5-35EA-42	42	51	9 5/16	9 13/16	15 1/16	41 11/16	41 1/4	55	17 15/16	18 1/2	52 7/8	6	11 1/2	5/8	121	128
	B4-35EA-48	B5-35EA-48	48	57	9 5/16	9 13/16	17 1/16	47 5/16	56 5/16	60 5/8	19 1/8	19 2/3	58 7/8	6	11 1/2	5/8	153	162
45°	B4-45EA-18	B5-45EA-18	18	27	8 7/8	9 3/8	7 1/16	18	17 15/16	31 11/16	14 1/8	14 1/2	28 7/8	6	11 1/2	5/8	54	63
	B4-45EA-24	B5-45EA-24	24	33	8 7/8	9 3/8	9 1/16	23 5/16	22 9/16	36 13/16	15 9/16	15 15/16	34 7/8	6	11 1/2	5/8	72	78
	B4-45EA-30	B5-45EA-30	30	39	8 15/16	9 7/16	11 1/16	28 9/16	27 7/8	43 5/16	17	17 3/8	40 7/8	6	11 1/2	5/8	100	99
	B4-45EA-36	B5-45EA-36	36	45	8 15/16	9 7/16	13 1/16	33 11/16	33	49 11/16	18 3/8	18 3/4	46 7/8	6	11 1/2	5/8	104	104
	B4-45EA-42	B5-45EA-42	42	51	9 5/16	9 13/16	15 1/16	38 1/2	37 13/16	54	20 3/16	20 9/16	52 7/8	6	11 1/2	5/8	124	129
	B4-45EA-48	B5-45EA-48	48	57	9 5/16	9 13/16	17 1/16	43 5/8	47 15/16	59 1/8	21 5/8	22	58 7/8	6	11 1/2	5/8	157	163

SELF-ALIGNING RETURN IDLERS-4" & 5" DIAMETER



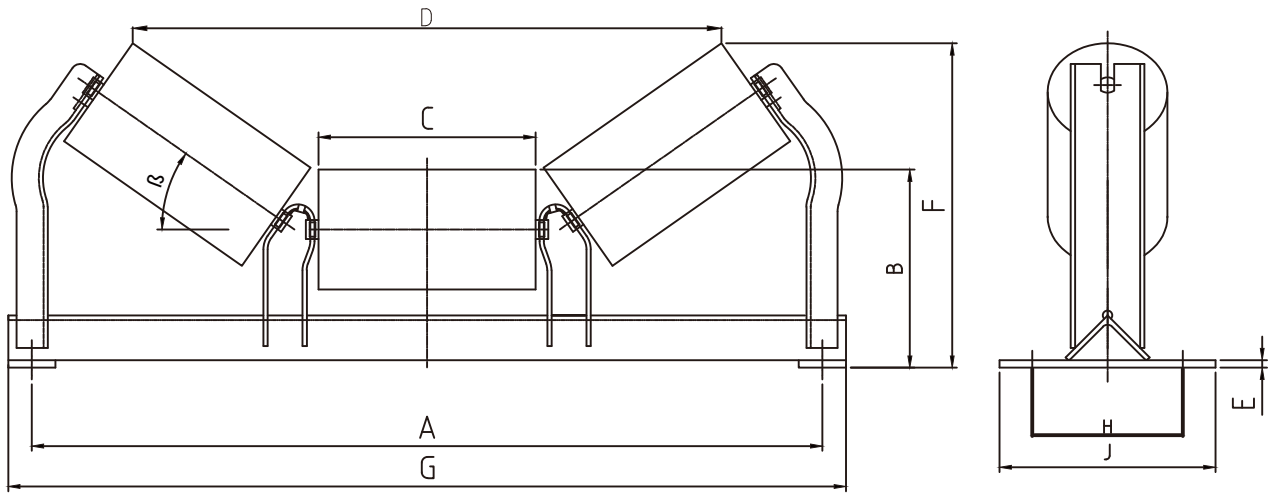
PART NUMBER		BW	A	B	C	D	WT	
4"	5"						4"	5"
B4-RETA-18	B5-RETA-18	18	27	21 5/16	29 3/4	23 5/8	77	82
B4-RETA-24	B5-RETA-24	24	33	27 5/16	35 3/4	29 5/8	86	93
B4-RETA-30	B5-RETA-30	30	39	33 5/16	41 3/4	35 5/8	100	110
B4-RETA-36	B5-RETA-36	36	45	39 5/16	47 3/4	41 5/8	110	114
B4-RETA-42	B5-RETA-42	42	51	45 5/16	53 3/4	47 5/8	137	145
B4-RETA-48	B5-RETA-48	48	57	51 5/16	59 3/4	53 5/8	144	152

OFFSET CENTER ROLLER IDLERS - 4" & 5" DIAMETER



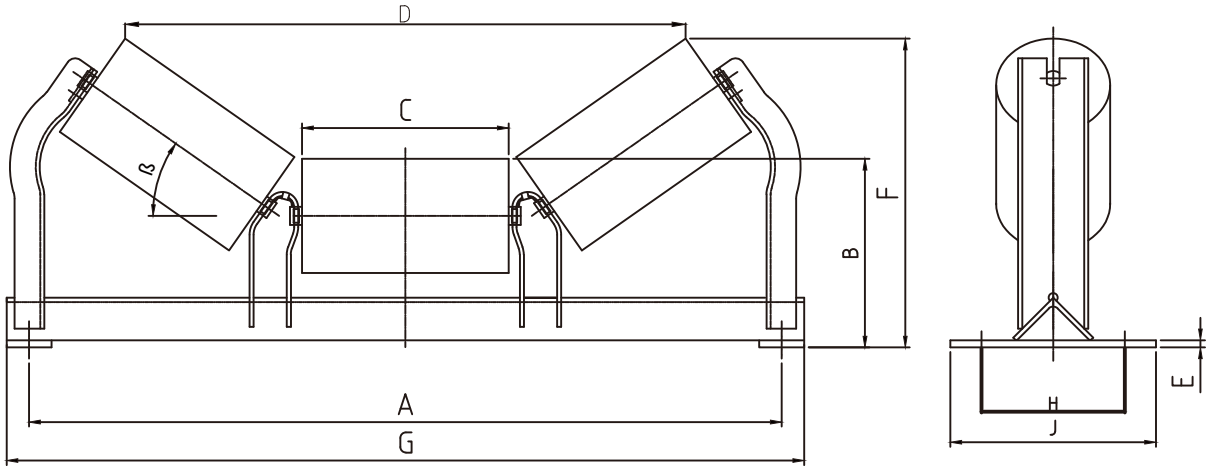
	PART NUMBER		BW	A	B		C	D	E		F		G	H	J	K	L	WT	
	4"	5"			4"	5"			4"	5"	4"	5"						4"	5"
20°	B4-2GO-18	B5-20GO-18	18	27	7	7 1/2	7 1/16	9 1/16	21 1/16	21 7/8	9 3/8	9 1/5	29	1/2	3/16	6	8	31	37
	B4-20GO-24	B5-20GO-24	24	33	7	7 1/2	9 1/16	11 1/16	27 1/2	27 1/16	10 1/16	10 5/8	35	1/2	3/16	6	8	36	43
	B4-20GO-30	B5-20GO-30	30	39	7	7 1/2	11 1/16	13 1/16	33 1/4	33 5/16	10 15/16	10 5/8	41	1/2	3/16	6	8	43	52
	B4-20GO-36	B5-20GO-36	36	45	7	7 1/2	13 1/16	15 1/16	39	38 11/16	11 5/8	12 1/8	47	1/2	3/16	6	8	49	59
	B4-20GO-42	B5-20GO-42	42	51	7 1/2	8	15 1/16	17 1/16	44 3/4	44 7/16	12 11/16	13 1/8	53	5/8	3/16	6	8	63	74
	B4-20GO-48	B5-20GO-48	48	57	7 1/2	8	17 1/16	19 1/16	50 1/2	50 3/16	13 3/8	13 7/8	59	5/8	3/16	6	8	69	82
35°	B4-35GO-18	B5-35GO-18	18	27	7	7 1/2	7 1/16	9 1/16	19 1/2	19	11	11 7/16	29	1/2	3/16	6	8	31	38
	B4-35GO-24	B5-35GO-24	24	33	7	7 1/2	9 1/16	11 1/16	24 13/16	24 1/2	12 5/16	12 11/16	35	1/2	1/4	6	8	37	45
	B4-35GO-30	B5-35GO-30	30	39	7	7 1/2	11 1/16	13 1/16	30 1/16	29 1/2	13 9/16	14	41	1/2	1/4	6	8	45	54
	B4-35GO-36	B5-35GO-36	36	45	7	7 1/2	13 1/16	15 1/16	35 5/16	34 13/16	14 13/16	15 3/16	47	1/2	1/4	6	8	51	61
	B4-35GO-42	B5-35GO-42	42	51	7 1/2	8	15 1/16	17 1/16	40 5/8	40 1/16	16 3/8	16 1/2	53	5/8	1/4	6	8	65	76
	B4-35GO-48	B5-35GO-48	48	57	7 1/2	8	17 1/16	19 1/16	45 7/8	45 3/8	17 1/3	17 2/3	59	5/8	1/4	6	8	71	84
45°	B4-45GO-18	B5-45GO-18	18	27	7	7 1/2	7 1/16	9 1/16	18	17 5/16	12 1/16	12 7/16	29	1/2	1/4	6	8	32	38
	B4-45GO-24	B5-45GO-24	24	33	7	7 1/2	9 1/16	11 1/16	22 15/16	22 1/4	13 9/16	13 15/16	35	1/2	1/4	6	8	38	45
	B4-45GO-30	B5-45GO-30	30	39	7	7 1/2	11 1/16	13 1/16	27 3/4	27 1/8	14 13/16	15 1/8	41	1/2	1/4	6	8	46	55
	B4-45GO-36	B5-45GO-36	36	45	7	7 1/2	13 1/16	15 1/16	32 9/16	31 15/16	16 3/16	16 9/16	47	1/2	1/4	6	8	52	62
	B4-45GO-42	B5-45GO-42	42	51	7 1/2	8	15 1/16	17 1/16	37 1/5	36 3/4	18	18 5/16	53	5/8	1/4	6	8	66	78
	B4-45GO-48	B5-45GO-48	48	57	7 1/2	8	17 1/16	19 1/16	42 1/4	41 7/16	19 9/16	19 3/4	59	5/8	1/4	6	8	73	86

TROUGHING IDLERS (EQUAL LENGTH ROLLERS) - 4" DIAMETER



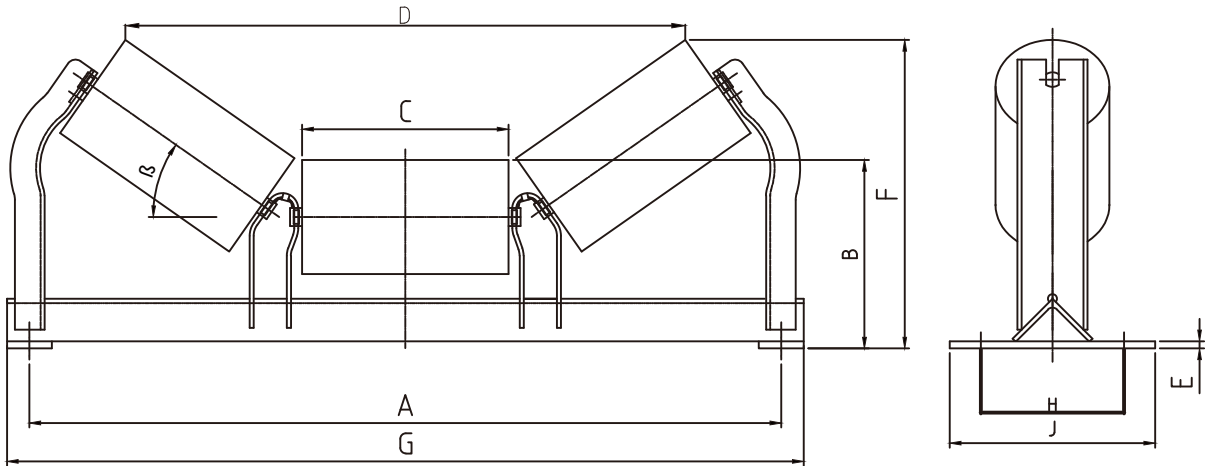
	PART NUMBER	BW	A	B	C	D	E	F	G	H	J	K	WT
20°	C4-20E-18	18	27	8	7 1/16	22 3/16	1/4	10 1/2	29	6	8	1/2	38
	C4-20E-24	24	33	8	9 1/16	27 15/16	5/16	11 3/16	35	6	9 1/2	5/8	40
	C4-20E-30	30	39	8	11 1/16	33 11/16	5/16	11 13/16	41	6	9 1/2	5/8	46
	C4-20E-36	36	45	8	13 1/16	39 7/16	5/16	12 5/8	47	6	9 1/2	5/8	53
	C4-20E-42	42	51	8 1/2	15 1/16	45 3/16	5/16	13 13/16	53	7 1/2	9 1/2	5/8	69
	C4-20E-48	48	57	8 1/2	17 1/16	51	5/16	14 3/8	59	7 1/2	9 1/2	5/8	76
	C4-20E-54	54	63	8 1/2	19 1/16	56 3/4	3/8	15 1/8	65 1/2	9	11	5/8	87
	C4-20E-60	60	69	8 1/2	21 1/16	62 1/2	3/8	15 3/4	71 1/2	9	11	5/8	98
35°	C4-35E-18	18	27	8	7 1/16	20	1/4	12 1/4	29	6	8	1/2	35
	C4-35E-24	24	33	8	9 1/16	25 5/16	5/16	13 3/8	35	6	9 1/2	5/8	42
	C4-35E-30	30	39	8	11 1/16	30 9/16	5/16	14 9/16	41	6	9 1/2	5/8	50
	C4-35E-36	36	45	8	13 1/16	35 13/16	5/16	15 11/16	47	6	9 1/2	5/8	56
	C4-35E-42	42	51	8 1/2	15 1/16	41 1/8	5/16	17 5/16	53	7 1/2	9 1/2	5/8	71
	C4-35E-48	48	57	8 1/2	17 1/16	46 3/8	5/16	18 7/16	59	7 1/2	9 1/2	5/8	78
	C4-35E-54	54	63	8 1/2	19 1/16	51 11/16	3/8	19 5/8	65 1/2	9	11	5/8	91
	C4-35E-60	60	69	8 1/2	21 1/16	56 15/16	3/8	20 3/4	71 1/2	9	11	5/8	101
45°	C4-45E-18	18	27	8	7 1/16	18 5/8	1/4	13 5/16	29	6	8	1/2	42
	C4-45E-24	24	33	8	9 1/16	22 3/16	5/16	14 11/16	35	6	9 1/2	5/8	44
	C4-45E-30	30	39	8	11 1/16	27 11/16	5/16	16 13/16	41	6	9 1/2	5/8	50
	C4-45E-36	36	45	8	13 1/16	31 7/8	5/16	18 3/16	47	6	9 1/2	5/8	57
	C4-45E-42	42	51	8 1/2	15 1/16	36 2/3	5/16	20	53	7 1/2	9 1/2	5/8	76
	C4-45E-48	48	57	8 1/2	17 1/16	41 1/2	5/16	21 7/16	59	7 1/2	9 1/2	5/8	80
	C4-45E-54	54	63	8 1/2	19 1/16	46 1/2	3/8	23 1/4	65 1/2	9	11	5/8	92
	C4-45E-60	60	69	8 1/2	21 1/16	51 3/16	3/8	24 5/8	71 1/2	9	11	5/8	108

TROUGHING IDLERS (EQUAL LENGTH ROLLERS) - 5" DIAMETER



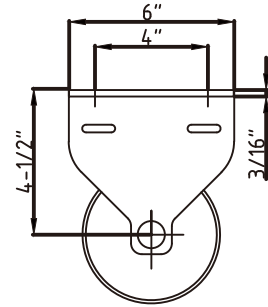
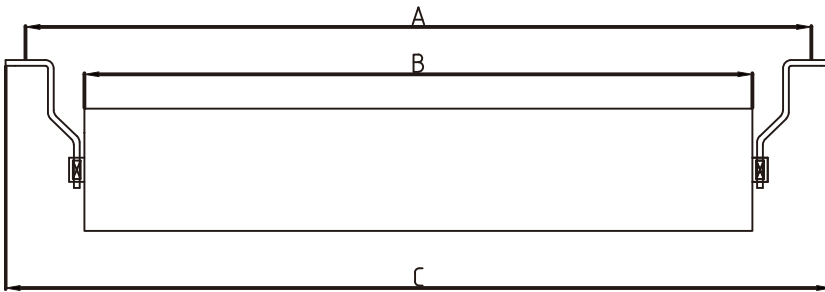
	PART NUMBER	BW	A	B	C	D	E	F	G	H	J	K	WT
20°	C5-20E-18	18	27	8 1/2	7 1/16	21 7/8	1/4	11	29	6	8	1/2	40
	C5-20E-24	24	33	8 1/2	9 1/16	27 5/8	5/16	11 11/16	35	6	9 1/2	5/8	45
	C5-20E-30	30	39	8 1/2	11 1/16	33 3/8	5/16	12 3/8	41	6	9 1/2	5/8	56
	C5-20E-36	36	45	8 1/2	13 1/16	39 1/8	5/16	13 1/16	47	6	9 1/2	5/8	64
	C5-20E-42	42	51	9	15 1/16	44 7/8	5/16	14 3/16	53	7 1/2	9 1/2	5/8	79
	C5-20E-48	48	57	9	17 1/16	50 5/8	5/16	14 7/8	59	7 1/2	9 1/2	5/8	88
	C5-20E-54	54	63	9	19 1/16	56 7/16	3/8	15 3/4	65	9	11	5/8	100
	C5-20E-60	60	69	9	21 1/16	62 3/16	3/8	16 1/2	71 1/2	9	11	5/8	113
35°	C5-35E-18	18	27	8 1/2	7 1/16	19 7/16	1/4	12 3/8	29	6	8	1/2	41
	C5-35E-24	24	33	8 1/2	9 1/16	24 11/16	5/16	13 13/16	35	6	9 1/2	5/8	49
	C5-35E-30	30	39	8 1/2	11 1/16	30	5/16	14 13/16	41	6	9 1/2	5/8	59
	C5-35E-36	36	45	8 1/2	13 1/16	35 1/4	5/16	16 1/8	47	6	9 1/2	5/8	66
	C5-35E-42	42	51	9	15 1/16	40 9/16	5/16	17 11/16	53	7 1/2	9 1/2	5/8	82
	C5-35E-48	48	57	9	17 1/16	45 13/16	5/16	18 7/8	59	7 1/2	9 1/2	5/8	91
	C5-35E-54	54	63	9	19 1/16	51 1/8	3/8	20	65 1/2	9	11	5/8	104
	C5-35E-60	60	69	9	21 1/16	56 3/8	3/8	21 1/5	71 1/2	9	11	5/8	116
45°	C5-45E-18	18	27	8 1/2	7 1/16	17 15/16	1/4	13 3/8	29	6	8	1/2	42
	C5-45E-24	24	33	8 1/2	9 1/16	22 3/4	5/16	15 1/16	35	6	9 1/2	5/8	51
	C5-45E-20	30	39	8 1/2	11 1/16	27 5/8	5/16	16 7/16	41	6	9 1/2	5/8	60
	C5-45E-36	36	45	8 1/2	13 1/16	32 7/16	5/16	17 13/16	47	6	9 1/2	5/8	67
	C5-45E-42	42	51	9	15 1/16	37 1/4	5/16	19 5/8	53	7 1/2	9 1/2	5/8	86
	C5-45E-48	48	57	9	17 1/16	42 1/16	5/16	21 3/16	59	7 1/2	9 1/2	5/8	93
	C5-45E-54	54	63	9	19 1/16	46 15/16	3/8	22 7/8	65 1/2	9	11	5/8	107
	C5-45E-60	60	69	9	21 1/16	51 3/4	3/8	24 1/16	71 1/2	9	11	5/8	120

TROUGHING IDLERS (EQUAL LENGTH ROLLERS) - 6" DIAMETER



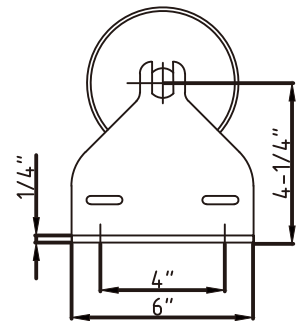
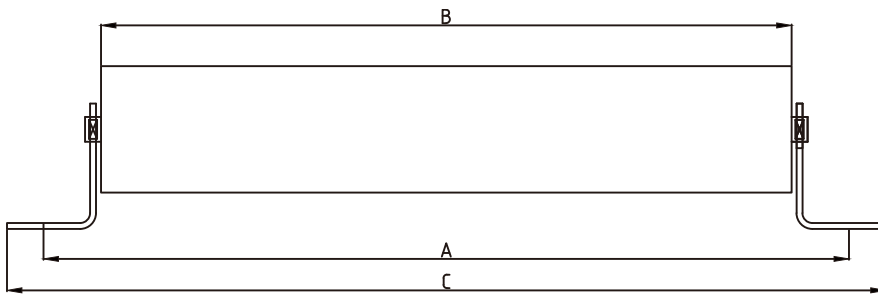
	PART NUMBER	BW	A	B	C	D	E	F	G	H	J	K	WT
20°	C6-20E-18	18	27	9	7 1/16	21 9/16	1/4	11 7/16	29	6	8	1/2	47
	C6-20E-24	24	33	9	9 1/16	27 5/16	5/16	12 1/8	35	6	9 1/2	5/8	57
	C6-20E-30	30	39	9	11 1/16	33 1/16	5/16	12 7/8	41	6	9 1/2	5/8	69
	C6-20E-36	36	45	9	13 1/16	38 13/16	5/16	13 9/16	47	6	9 1/2	5/8	78
	C6-20E-42	42	51	9 1/2	15 1/16	44 9/16	5/16	14 11/16	53	7 1/2	9 1/2	5/8	86
	C6-20E-48	48	57	9 1/2	17 1/16	50 5/16	5/16	15 3/8	59	7 1/2	9 1/2	5/8	107
	C6-20E-54	54	63	9 1/2	19 1/16	56 1/16	3/8	16 1/8	65	9	11	5/8	121
	C6-20E-60	60	69	9 1/2	21 1/16	61 7/8	3/8	16 3/4	71 1/2	9	11	5/8	134
35°	C6-35E-18	18	27	9	7 1/16	18 7/8	1/4	13 1/16	29	6	8	1/2	49
	C6-35E-24	24	33	9	9 1/16	24 1/8	5/16	14 3/16	35	6	9 1/2	5/8	59
	C6-35E-30	30	39	9	11 1/16	29 7/16	5/16	15 3/8	41	6	9 1/2	5/8	71
	C6-35E-36	36	45	9	13 1/16	34 11/16	5/16	16 1/2	47	6	9 1/2	5/8	80
	C6-35E-42	42	51	9 1/2	15 1/16	40	5/16	18 1/8	53	7 1/2	9 1/2	5/8	98
	C6-35E-48	48	57	9 1/2	17 1/16	45 1/4	5/16	19 1/4	59	7 1/2	9 1/2	5/8	109
	C6-35E-54	54	63	9 1/2	19 1/16	50 1/2	3/8	20 7/16	65	9	11	5/8	125
	C6-35E-60	60	69	9 1/2	21 1/16	55 13/16	3/8	21 9/16	71 1/2	9	11	5/8	138
45°	C6-45E-18	18	27	9	7 1/16	17 1/4	1/4	14	29	6	8	1/2	50
	C6-45E-24	24	33	9	9 1/16	22 1/16	5/16	15 7/16	35	6	9 1/2	5/8	61
	C6-45E-30	30	39	9	11 1/16	26 7/8	5/16	16 7/8	41	6	9 1/2	5/8	73
	C6-45E-36	36	45	9	13 1/16	31 3/4	5/16	18 1/4	47	6	9 1/2	5/8	82
	C6-45E-42	42	51	9 1/2	15 1/16	36 9/16	5/16	20 1/8	53	7 1/2	9 1/2	5/8	103
	C6-45E-48	48	57	9 1/2	17 1/16	41 3/8	5/16	21 9/16	59	7 1/2	9 1/2	5/8	111
	C6-45E-54	54	63	9 1/2	19 1/16	46 3/16	3/8	23	65 1/2	9	11	5/8	129
	C6-45E-60	60	69	9 1/2	21 1/16	51	3/8	24 3/8	71 1/2	9	11	5/8	141

RETURN IDLERS - 4" 5" 6" DIAMETER



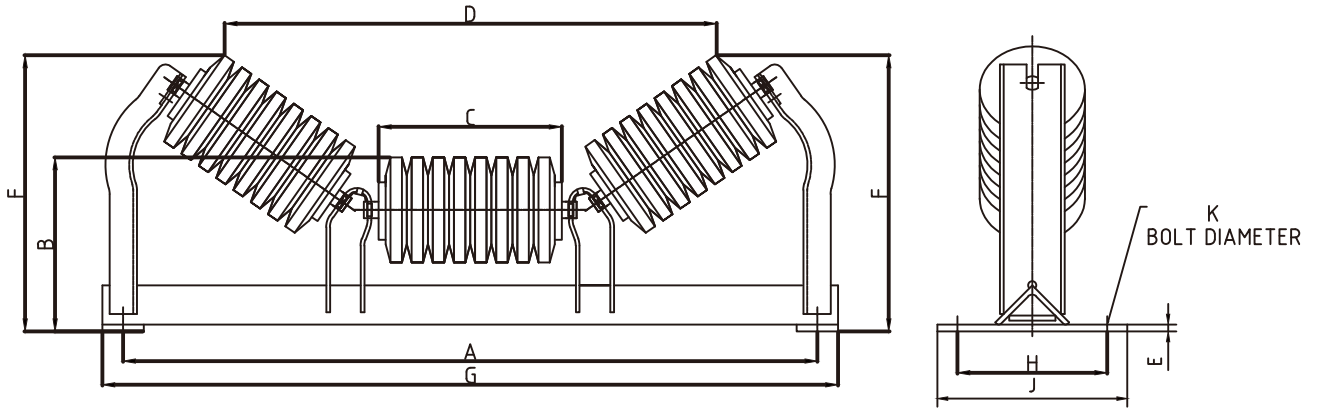
RETURN IDLER 4" PART NUMBER	RETURN IDLER 5" PART NUMBER	RETURN IDLER 6" PART NUMBER	BW	A	B	C	WT		
							4"	5"	6"
C4-RET-18	C5-RET-18	C6-RET-18	18	27	21 5/16	28 3/4	17	22	30
C4-RET-24	C5-RET-24	C6-RET-24	24	33	27 5/16	34 3/4	20	27	36
C4-RET-30	C5-RET-30	C6-RET-30	30	39	33 5/16	40 3/4	23	31	43
C4-RET-36	C5-RET-36	C6-RET-36	36	45	39 5/16	46 3/4	27	35	50
C4-RET-42	C5-RET-42	C6-RET-42	42	51	45 5/16	52 3/4	30	38	56
C4-RET-48	C5-RET-48	C6-RET-48	48	57	51 5/16	58 3/4	33	44	63
C4-RET-54	C5-RET-54	C6-RET-54	54	63	57 5/16	64 3/4	37	49	69
C4-RET-60	C5-RET-60	C6-RET-60	60	69	63 5/16	70 3/4	40	53	76

FLAT IDLERS - 4" 5" 6" DIAMETER



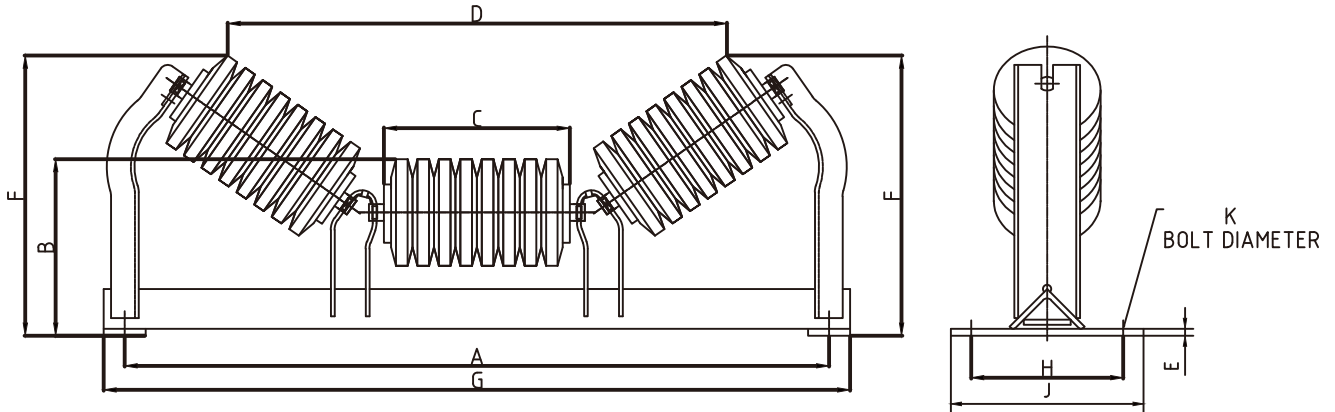
FLAT IDLERS 4" PART NUMBER	FLAT IDLERS 5" PART NUMBER	FLAT IDLERS 6" PART NUMBER	BW	A	B	C	WT		
							4"	5"	6"
C4-FLT-18	C5-FLT-18	C6-FLT-18	18	27	21 5/16	28 3/4	19	25	32
C4-FLT-24	C5-FLT-24	C6-FLT-24	24	33	27 5/16	34 3/4	23	29	39
C4-FLT-30	C5-FLT-30	C6-FLT-30	30	39	33 5/16	40 3/4	26	34	45
C4-FLT-36	C5-FLT-36	C6-FLT-36	36	45	39 5/16	46 3/4	30	39	52
C4-FLT-42	C5-FLT-42	C6-FLT-42	42	51	45 5/16	52 3/4	33	44	59
C4-FLT-48	C5-FLT-48	C6-FLT-48	48	57	51 5/16	58 3/4	36	48	65
C4-FLT-54	C5-FLT-54	C6-FLT-54	54	63	57 5/16	64 3/4	40	53	72
C4-FLT-60	C5-FLT-60	C6-FLT-60	60	69	63 5/16	70 3/4	43	58	79

RUBBER CUSHION IMPACT TROUGHING IDLERS - 4" DIAMETER



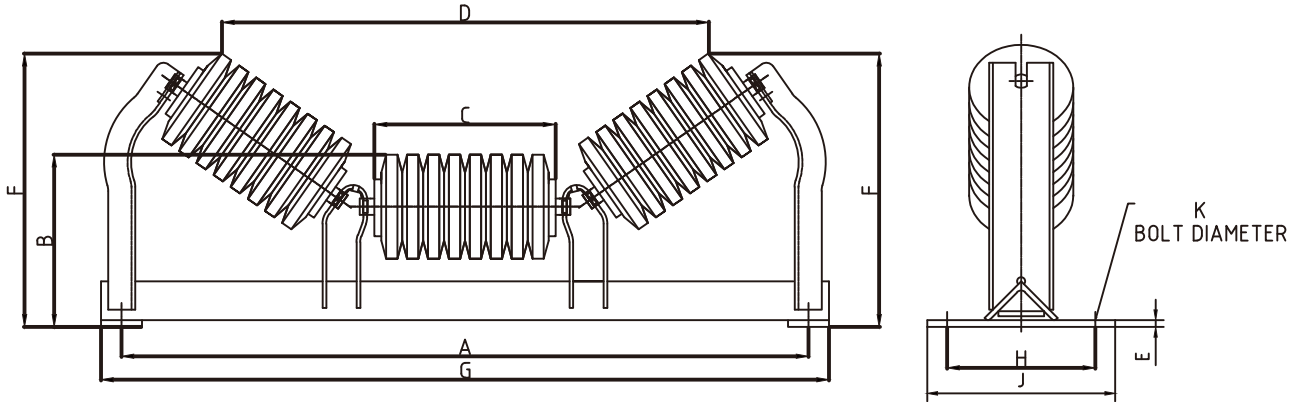
	PART NUMBER	BW	A	B	C	D	E	F	G	H	J	K	WT
20°	C4-20EI-18	18	27	8	7 1/16	21 3/16	1/4	10 3/8	29	6	8	1/2	36
	C4-20EI-24	24	33	8	9 1/16	26 15/16	5/16	11 1/16	35	6	9 1/2	5/8	44
	C4-20EI-30	30	39	8	11 1/16	32 5/8	5/16	11 11/16	41	6	9 1/2	5/8	54
	C4-20EI-36	36	45	8	13 1/16	38 7/16	5/16	12 1/2	47	6	9 1/2	5/8	68
	C4-20EI-42	42	51	8 1/2	15 1/16	44 1/8	5/16	13 11/16	53	7 1/2	9 1/2	5/8	87
	C4-20EI-48	48	57	8 1/2	17 1/16	49 7/8	5/16	14 1/4	59	7 1/2	9 1/2	5/8	96
	C4-20EI-54	54	63	8 1/2	19 1/16	55 11/16	3/8	15	65 1/2	9	11	5/8	110
	C4-20EI-60	60	69	8 1/2	21 1/16	61 3/8	3/8	15 5/8	71 1/2	9	11	5/8	122
35°	C4-35EI-18	18	27	8	7 1/16	19 1/8	1/4	12 1/8	29	6	8	1/2	38
	C4-35EI-24	24	33	8	9 1/16	24 7/16	5/16	13 1/4	35	6	9 1/2	5/8	46
	C4-35EI-30	30	39	8	11 1/16	29 5/8	5/16	14 7/16	41	6	9 1/2	5/8	56
	C4-35EI-36	36	45	8	13 1/16	34 15/16	5/16	15 9/16	47	6	9 1/2	5/8	71
	C4-35EI-42	42	51	8 1/2	15 1/16	40 3/16	5/16	17 3/16	53	7 1/2	9 1/2	5/8	90
	C4-35EI-48	48	57	8 1/2	17 1/16	45 7/16	5/16	18 5/16	59	7 1/2	9 1/2	5/8	99
	C4-35EI-54	54	63	8 1/2	19 1/16	50 3/4	3/8	19 1/2	65 1/2	9	11	5/8	113
	C4-35EI-60	60	69	8 1/2	21 1/16	56	3/8	20 5/8	71 1/2	9	11	5/8	126
45°	C4-45EI-18	18	27	8	7 1/16	18	1/4	13 1/8	29	6	8	1/2	39
	C4-45EI-24	24	33	8	9 1/16	22 13/16	5/16	14 1/2	35	6	9 1/2	5/8	47
	C4-45EI-30	30	39	8	11 1/16	27 9/16	5/16	15 15/16	41	6	9 1/2	5/8	58
	C4-45EI-36	36	45	8	13 1/16	32 7/16	5/16	17 3/8	47	6	9 1/2	5/8	73
	C4-45EI-42	42	51	8 1/2	15 1/16	37 1/4	5/16	19 1/4	53	7 1/2	9 1/2	5/8	92
	C4-45EI-48	48	57	8 1/2	17 1/16	42 1/16	5/16	20 5/8	59	7 1/2	9 1/2	5/8	101
	C4-45EI-54	54	63	8 1/2	19 1/16	46 7/8	3/8	22 1/16	65 1/2	9	11	5/8	116
	C4-45EI-60	60	69	8 1/2	21 1/16	51 11/16	3/8	23 1/2	71 1/2	9	11	5/8	129

RUBBER CUSHION IMPACT TROUGHING IDLERS - 5" DIAMETER



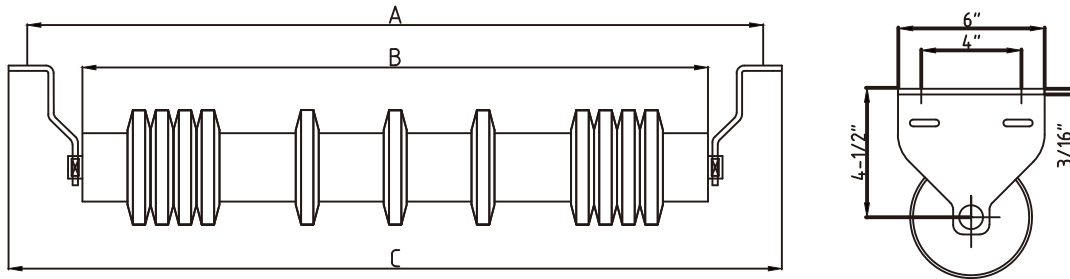
	PART NUMBER	BW	A	B	C	D	E	F	G	H	J	K	WT
20°	C5-20EI-18	18	27	8 1/2	7 1/16	20 7/8	1/4	10 7/8	29	6	8	1/2	41
	C5-20EI-24	24	33	8 1/2	9 1/16	26 5/8	5/16	11 9/16	35	6	9 1/2	5/8	50
	C5-20EI-30	30	39	8 1/2	11 1/16	32 5/16	5/16	12 1/4	41	6	9 1/2	5/8	61
	C5-20EI-36	36	45	8 1/2	13 1/16	38 1/16	5/16	12 15/16	47	6	9 1/2	5/8	76
	C5-20EI-42	42	51	9	15 1/16	43 13/16	5/16	14 1/16	53	7 1/2	9 1/2	5/8	97
	C5-20EI-48	48	57	9	17 1/16	49 9/16	5/16	14 3/4	59	7 1/2	9 1/2	5/8	106
	C5-20EI-54	54	63	9	19 1/16	55 3/8	3/8	15 1/2	65 1/2	9	11	5/8	122
	C5-20EI-60	60	69	9	21 1/16	61 1/16	3/8	16 3/16	71 1/2	9	11	5/8	136
35°	C5-35EI-18	18	27	8 1/2	7 1/16	18 9/16	1/4	12 1/4	29	6	8	1/2	42
	C5-35EI-24	24	33	8 1/2	9 1/16	23 13/16	5/16	13 11/16	35	6	9 1/2	5/8	52
	C5-35EI-30	30	39	8 1/2	11 1/16	29 1/16	5/16	14 11/16	41	6	9 1/2	5/8	63
	C5-35EI-36	36	45	8 1/2	13 1/16	34 3/8	5/16	16	47	6	9 1/2	5/8	79
	C5-35EI-42	42	51	9	15 1/16	39 5/8	5/16	17 9/16	53	7 1/2	9 1/2	5/8	100
	C5-35EI-48	48	57	9	17 1/16	44 7/8	5/16	18 3/4	59	7 1/2	9 1/2	5/8	110
	C5-35EI-54	54	63	9	19 1/16	50 3/16	3/8	19 7/8	65 1/2	9	11	5/8	125
	C5-35EI-60	60	69	9	21 1/16	55 7/16	3/8	21 1/16	71 1/2	9	11	5/8	140
45°	C5-45EI-18	18	27	8 1/2	7 1/16	17 1/4	1/4	13 7/16	29	6	8	1/2	44
	C5-45EI-24	24	33	8 1/2	9 1/16	22 1/16	5/16	14 7/8	35	6	9 1/2	5/8	53
	C5-45EI-30	30	39	8 1/2	11 1/16	26 7/8	5/16	16 5/16	41	6	9 1/2	5/8	65
	C5-45EI-36	36	45	8 1/2	13 1/16	31 11/16	5/16	17 3/4	47	6	9 1/2	5/8	81
	C5-45EI-42	42	51	9	15 1/16	36 1/2	5/16	19 9/16	53	7 1/2	9 1/2	5/8	102
	C5-45EI-48	48	57	9	17 1/16	41 1/3	5/16	21	59	7 1/2	9 1/2	5/8	112
	C5-45EI-54	54	63	9	19 1/16	46 1/5	3/8	22 7/16	65 1/2	9	11	5/8	128
	C5-45EI-60	60	69	9	21 1/16	51	3/8	23 7/8	71 1/2	9	11	5/8	143

RUBBER CUSHION IMPACT TROUGHING IDLERS - 6" DIAMETER



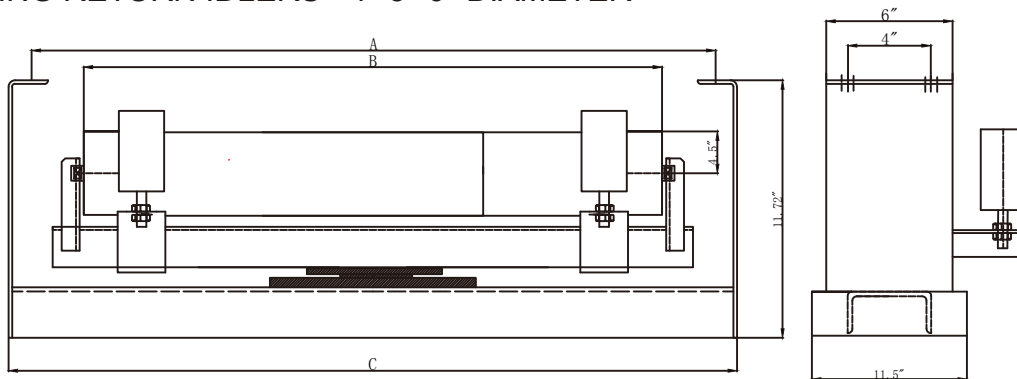
	PART NUMBER	BW	A	B	C	D	E	F	G	H	J	K	WT
20°	C6-20EI-18	18	27	9	7 1/16	20 1/2	1/4	11 5/16	29	6	8	1/2	49
	C6-20EI-24	24	33	9	9 1/16	26 1/4	5/16	12	35	6	9 1/2	5/8	62
	C6-20EI-30	30	39	9	11 1/16	31 15/16	5/16	12 3/4	41	6	9 1/2	5/8	74
	C6-20EI-36	36	45	9	13 1/16	37 3/4	5/16	13 7/16	47	6	9 1/2	5/8	90
	C6-20EI-42	42	51	9 1/2	15 1/16	43 7/16	5/16	14 9/16	53	7 1/2	9 1/2	5/8	111
	C6-20EI-48	48	57	9 1/2	17 1/16	49 3/16	5/16	15 1/4	59	7 1/2	9 1/2	5/8	126
	C6-20EI-54	54	63	9 1/2	19 1/16	55	3/8	15 15/16	65	9	11	5/8	136
	C6-20EI-60	60	69	9 1/2	21 1/16	60 11/16	3/8	16 5/8	71 1/2	9	11	5/8	146
35°	C6-35EI-18	18	27	9	7 1/16	18	1/4	12 15/16	29	6	8	1/2	48
	C6-35EI-24	24	33	9	9 1/16	23 1/4	5/16	14 1/16	35	6	9 1/2	5/8	59
	C6-35EI-30	30	39	9	11 1/16	28 1/2	5/16	15 1/4	41	6	9 1/2	5/8	73
	C6-35EI-36	36	45	9	13 1/16	33 11/16	5/16	16 3/8	47	6	9 1/2	5/8	90
	C6-35EI-42	42	51	9 1/2	15 1/16	39	5/16	18	53	7 1/2	9 1/2	5/8	112
	C6-35EI-48	48	57	9 1/2	17 1/16	44 5/16	5/16	19 1/8	59	7 1/2	9 1/2	5/8	124
	C6-35EI-54	54	63	9 1/2	19 1/16	49 5/8	3/8	20 5/16	65	9	11	5/8	142
	C6-35EI-60	60	69	9 1/2	21 1/16	54 13/16	3/8	21 7/16	71 1/2	9	11	5/8	159
45°	C6-45EI-18	18	27	9	7 1/16	16 4/7	1/4	13 13/16	29	6	8	1/2	50
	C6-45EI-24	24	33	9	9 1/16	21 3/8	5/16	15 1/4	35	6	9 1/2	5/8	61
	C6-45EI-30	30	39	9	11 1/16	26 3/16	5/16	16 11/16	41	6	9 1/2	5/8	74
	C6-45EI-36	36	45	9	13 1/16	31	5/16	18 1/16	47	6	9 1/2	5/8	92
	C6-45EI-42	42	51	9 1/2	15 1/16	35 13/16	5/16	19 15/16	53	7 1/2	9 1/2	5/8	114
	C6-45EI-48	48	57	9 1/2	17 1/16	40 5/8	5/16	21 3/8	59	7 1/2	9 1/2	5/8	127
	C6-45EI-54	54	63	9 1/2	19 1/16	45 1/2	3/8	22 13/16	65 1/2	9	11	5/8	144
	C6-45EI-60	60	69	9 1/2	21 1/16	50 1/4	3/8	24 3/16	71 1/2	9	11	5/8	162

RUBBER CUSHION RETURN IDLER - 4" & 5" & 6" DIAMETER



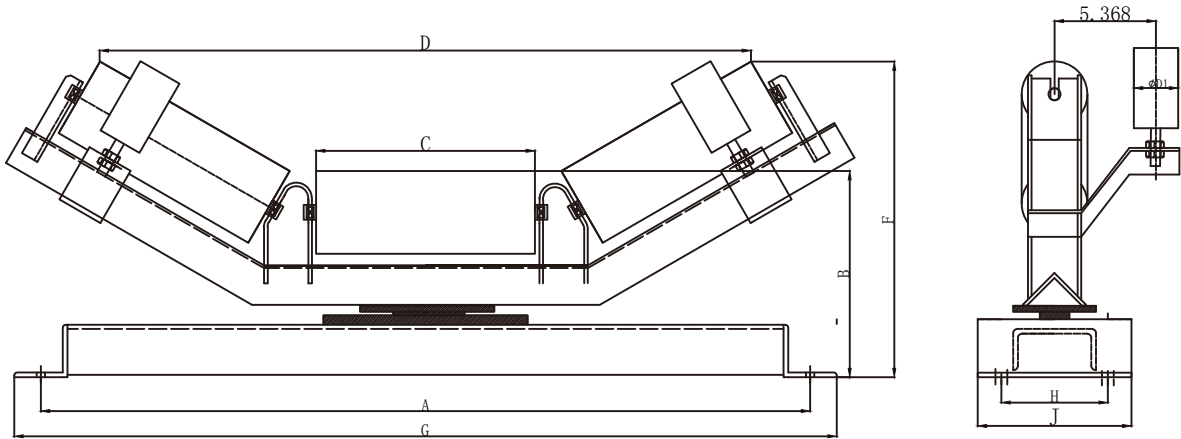
PART NUMBER 4"	PART NUMBER 5"	PART NUMBER 6"	BW	A	B	C	WT			
							4"	5"	6"	
C4-RETI-18	C5-RETI-18	C6-RETI-18	18	27	21	7/16	28 1/2	16	21	23
C4-RETI-24	C5-RETI-24	C6-RETI-24	24	33	27	7/16	34 1/2	19	25	30
C4-RETI-30	C5-RETI-30	C6-RETI-30	30	39	33	7/16	40 1/2	22	30	34
C4-RETI-36	C5-RETI-36	C6-RETI-36	36	45	39	7/16	46 1/2	28	34	40
C4-RETI-42	C5-RETI-42	C6-RETI-42	42	51	45	7/16	52 1/2	30	37	43
C4-RETI-48	C5-RETI-48	C6-RETI-48	48	57	51	7/16	58 1/2	32	43	49
C4-RETI-54	C5-RETI-54	C6-RETI-54	54	63	57	7/16	64 1/2	37	48	53
C4-RETI-60	C5-RETI-60	C6-RETI-60	60	69	63	7/16	70 1/2	39	52	57

SELF-ALIGNING RETURN IDLERS - 4" 5" 6" DIAMETER



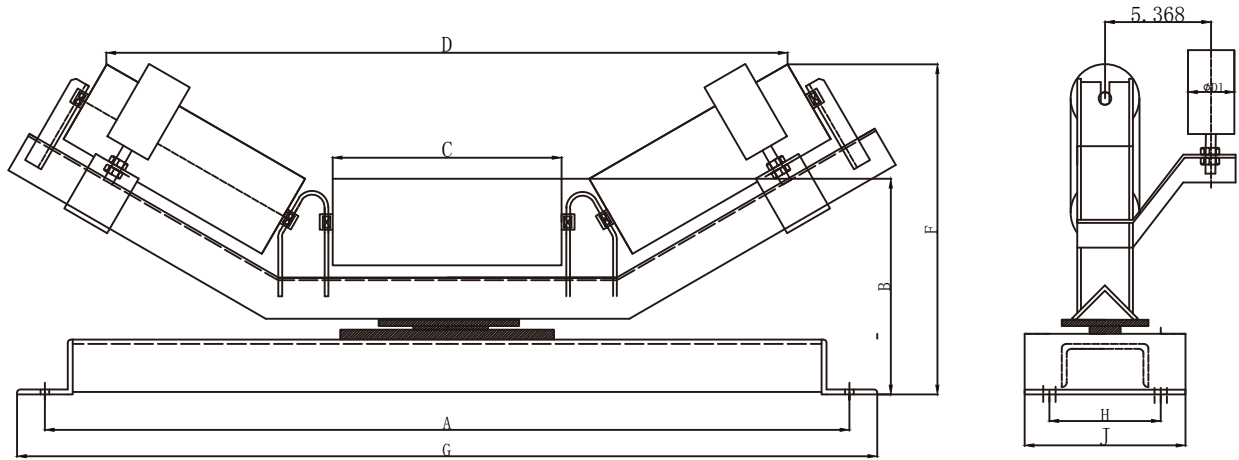
PART NUMBER 4"	PART NUMBER 5"	PART NUMBER 6"	BW	A	B	C	D	WT			
								4"	5"	6"	
C4-RETA-18	C5-RETA-18	C6-RETA-18	18	27	21	5/16	29 3/4	23 5/8	72	73	76
C4-RETA-24	C5-RETA-24	C6-RETA-24	24	33	27	5/16	35 3/4	29 5/8	81	83	87
C4-RETA-30	C5-RETA-30	C6-RETA-30	30	39	33	5/16	41 3/4	35 5/8	87	96	99
C4-RETA-36	C5-RETA-36	C6-RETA-36	36	45	39	5/16	47 3/4	41 5/8	102	107	125
C4-RETA-42	C5-RETA-42	C6-RETA-42	42	51	45	5/16	53 3/4	47 5/8	129	133	135
C4-RETA-48	C5-RETA-48	C6-RETA-48	48	57	51	5/16	59 3/4	53 5/8	141	146	148
C4-RETA-54	C5-RETA-54	C6-RETA-54	54	63	57	5/16	65 3/4	59 5/8	164	167	170
C4-RETA-60	C5-RETA-60	C6-RETA-60	60	69	63	5/16	71 3/4	65 5/8	178	181	188

SELF-ALIGNING TROUGHING IDLERS - 4" DIAMETER



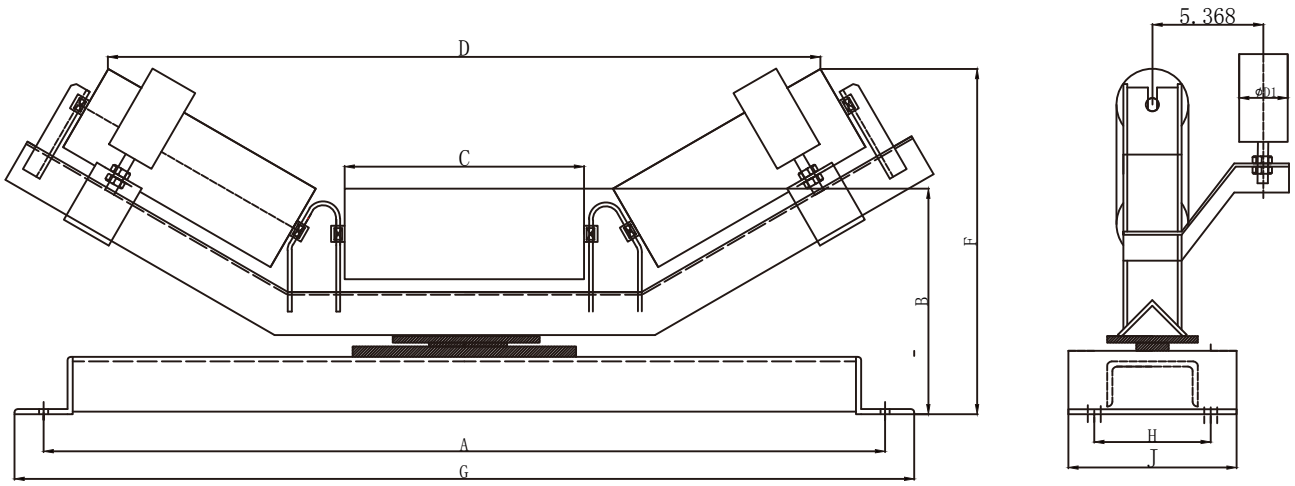
	PART NUMBER	BW	A	B	C	D	E	F	G	H	J	K	WT
20°	C4-20EA-18	18	27	8 7/8	7 1/16	21 15/16	30 5/8	11 7/16	28 7/8	6	11 1/2	5/8	72
	C4-20EA-24	24	33	8 7/8	9 1/16	27 11/16	36 3/8	12 1/8	34 7/8	6	11 1/2	5/8	84
	C4-20EA-30	30	39	8 15/16	11 1/16	33 7/16	42 3/16	12 7/8	40 7/8	6	11 1/2	5/8	102
	C4-20EA-36	36	45	8 15/16	13 1/16	39 3/16	47 15/16	13 9/16	46 7/8	6	11 1/2	5/8	111
	C4-20EA-42	42	51	9 5/16	15 1/16	44 15/16	53 15/16	14 5/8	52 7/8	6	11 1/2	5/8	132
	C4-20EA-48	48	57	9 5/16	17 1/16	50 11/16	59 1/16	15 5/16	58 7/8	6	11 1/2	5/8	157
	C4-20EA-54	54	63	9 7/16	19 1/16	56 7/16	67 7/16	16 1/8	64 7/8	6	11 1/2	5/8	167
	C4-20EA-60	60	69	9 7/16	21 1/16	62 3/16	71 3/16	16 13/16	70 7/8	6	11 1/2	5/8	181
35°	C4-35EA-18	18	27	8 7/8	7 1/16	20	32 13/16	12 15/16	28 7/8	6	11 1/2	5/8	75
	C4-35EA-24	24	33	8 7/8	9 1/16	25 5/16	38 3/16	14 1/8	34 7/8	6	11 1/2	5/8	85
	C4-35EA-30	30	39	8 15/16	11 1/16	30 9/16	44 3/16	15 5/16	40 7/8	6	11 1/2	5/8	103
	C4-35EA-36	36	45	8 15/16	13 1/16	35 13/16	48 15/16	16 7/16	46 7/8	6	11 1/2	5/8	113
	C4-35EA-42	42	51	9 5/16	15 1/16	41 1/8	55	17 15/16	52 7/8	6	11 1/2	5/8	134
	C4-35EA-48	48	57	9 5/16	17 1/16	46 3/8	60 5/8	19 1/8	58 7/8	6	11 1/2	5/8	159
	C4-35EA-54	54	63	9 7/16	19 1/16	51 11/16	65 1/4	20 3/8	64 7/8	6	11 1/2	5/8	171
	C4-35EA-60	60	69	9 7/16	21 1/16	56 15/16	70 9/16	21 9/16	70 7/8	6	11 1/2	5/8	185
45°	C4-45EA-18	18	27	8 7/8	7 1/16	18 5/8	31 11/16	14 1/8	28 7/8	6	11 1/2	5/8	78
	C4-45EA-24	24	33	8 7/8	9 1/16	23 1/2	36 13/16	15 9/16	34 7/8	6	11 1/2	5/8	86
	C4-45EA-30	30	39	8 15/16	11 1/16	28 5/16	45 5/16	17	40 7/8	6	11 1/2	5/8	104
	C4-45EA-36	36	45	8 15/16	13 1/16	33 1/8	49 11/16	18 3/8	46 7/8	6	11 1/2	5/8	115
	C4-45EA-42	42	51	9 5/16	15 1/16	37 15/16	54	20 3/16	52 7/8	6	11 1/2	5/8	136
	C4-45EA-48	48	57	9 5/16	17 1/16	42 13/16	59 1/8	21 5/8	58 7/8	6	11 1/2	5/8	160
	C4-45EA-54	54	63	9 7/16	19 1/16	47 5/8	63 3/4	23 1/8	64 7/8	6	11 1/2	5/8	175
	C4-45EA-60	60	69	9 7/16	21 1/16	52 7/16	68 5/16	24 9/16	70 7/8	6	11 1/2	5/8	189

SELF-ALIGNING TROUGHING IDLERS - 5" DIAMETER



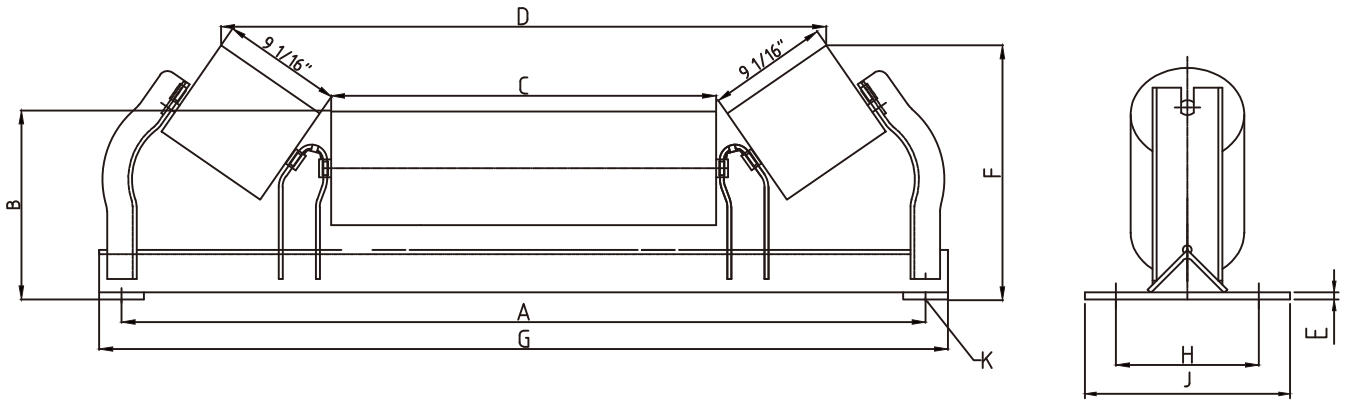
	PART NUMBER	BW	A	B	C	D	E	F	G	H	J	K	WT
20°	C5-20EA-18	18	27	9 3/8	7 1/16	21 5/8	30 5/8	11 7/8	28 7/8	6	11 1/2	5/8	74
	C5-20EA-24	24	33	9 3/8	9 1/16	27 3/8	36 3/8	12 9/16	34 7/8	6	11 1/2	5/8	86
	C5-20EA-30	30	39	9 7/16	11 1/16	33 1/8	42 3/16	13 15/16	40 7/8	6	11 1/2	5/8	104
	C5-20EA-36	36	45	9 7/16	13 1/16	38 7/8	47 15/16	14	46 7/8	6	11 1/2	5/8	114
	C5-20EA-42	42	51	9 13/16	15 1/16	44 5/8	53 15/16	15 1/16	52 7/8	7 1/2	11 1/2	5/8	134
	C5-20EA-48	48	57	9 13/16	17 1/16	50 3/5	59 1/16	15 3/4	58 7/8	7 1/2	11 1/2	5/8	160
	C5-20EA-54	54	63	9 15/16	19 1/16	56 1/8	67 7/16	16 9/16	64 7/8	9	11 1/2	5/8	170
	C5-20EA-60	60	69	9 15/16	21 1/16	61 15/16	71 3/16	17 1/4	70 7/8	9	11 1/2	5/8	185
35°	C5-35EA-18	18	27	9 3/8	7 1/16	19 7/16	32 13/16	13 1/2	28 7/8	6	11 1/2	5/8	77
	C5-35EA-24	24	33	9 3/8	9 1/16	24 11/16	38 3/16	14 11/16	34 7/8	6	11 1/2	5/8	87
	C5-35EA-30	30	39	9 7/16	11 1/16	30	44 3/16	15 7/8	40 7/8	6	11 1/2	5/8	105
	C5-35EA-36	36	45	9 7/16	13 1/16	35 1/4	48 15/16	17	46 7/8	6	11 1/2	5/8	115
	C5-35EA-42	42	51	9 13/16	15 1/16	40 9/16	55	18 1/2	52 7/8	7 1/2	11 1/2	5/8	136
	C5-35EA-48	48	57	9 13/16	17 1/16	45 13/16	60 5/8	19 11/16	58 7/8	7 1/2	11 1/2	5/8	161
	C5-35EA-54	54	63	9 15/16	19 1/16	51 1/8	65 1/4	20 15/16	64 7/8	9	11 1/2	5/8	173
	C5-35EA-60	60	69	9 15/16	21 1/16	56 3/8	70 9/16	22 1/8	70 7/8	9	11 1/2	5/8	188
45°	C5-45EA-18	18	27	9 3/8	7 1/16	17 15/16	31 11/16	14 1/2	28 7/8	6	11 1/2	5/8	80
	C5-45EA-24	24	33	9 3/8	9 1/16	22 3/4	36 13/16	15 15/16	34 7/8	6	11 1/2	5/8	88
	C5-45EA-30	30	39	9 7/16	11 1/16	27 5/8	45 5/16	17 3/8	40 7/8	6	11 1/2	5/8	106
	C5-45EA-36	36	45	9 7/16	13 1/16	32 7/16	49 11/16	18 3/4	46 7/8	6	11 1/2	5/8	116
	C5-45EA-42	42	51	9 13/16	15 1/16	37 1/4	54	20 9/16	52 7/8	7 1/2	11 1/2	5/8	137
	C5-45EA-48	48	57	9 13/16	17 1/16	42 1/16	59 1/8	22	58 7/8	7 1/2	11 1/2	5/8	163
	C5-45EA-54	54	63	9 15/16	19 1/16	46 15/16	63 3/4	23 1/2	64 7/8	9	11 1/2	5/8	176
	C5-45EA-60	60	69	9 15/16	21 1/16	51 3/4	68 5/16	24 15/16	70 7/8	9	11 1/2	5/8	189

SELF-ALIGNING TROUGHING IDLERS - 6"DIAMETER



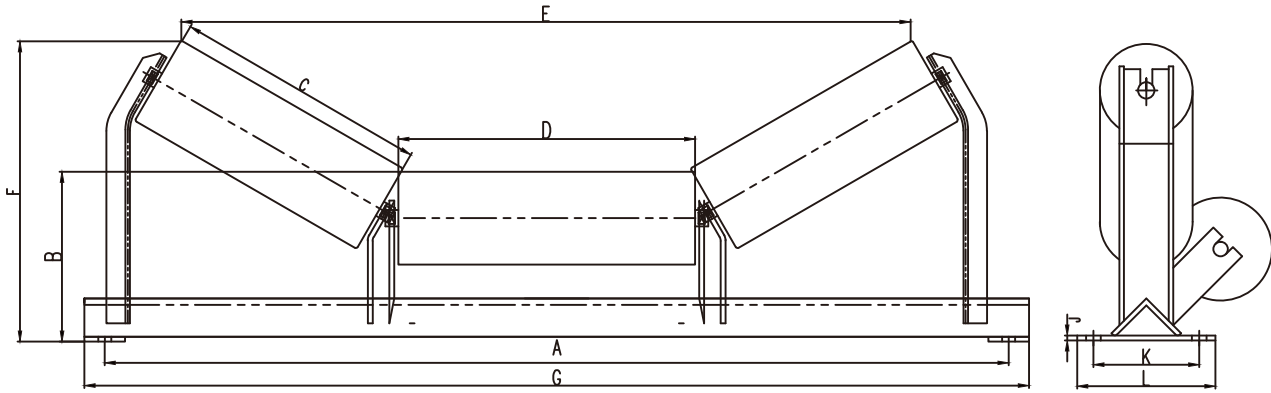
	PART NUMBER	BW	A	B	C	D	E	F	G	H	J	K	WT
20°	C6-20EA-18	18	27	9 7/8	7 1/16	21 5/16	30 5/8	12 1/2	28 7/8	6	11 1/2	5/8	77
	C6-20EA-24	24	33	9 7/8	9 1/16	27 1/16	36 3/8	13 3/16	34 7/8	6	11 1/2	5/8	89
	C6-20EA-30	30	39	9 15/16	11 1/16	32 13/16	42 3/16	14	40 7/8	6	11 1/2	5/8	101
	C6-20EA-36	36	45	9 15/16	13 1/16	38 9/16	47 15/16	14 5/8	46 7/8	6	11 1/2	5/8	118
	C6-20EA-42	42	51	10 5/16	15 1/16	44 5/16	53 15/16	15 3/4	52 7/8	6	11 1/2	5/8	140
	C6-20EA-48	48	57	10 5/16	17 1/16	50 1/16	59 1/16	16 7/16	58 7/8	6	11 1/2	5/8	166
	C6-20EA-54	54	63	10 7/16	19 1/16	55 13/16	67 7/16	17 3/16	64 7/8	6	11 1/2	5/8	176
	C6-20EA-60	60	69	10 7/16	21 1/16	61 9/16	71 3/16	17 13/16	70 7/8	6	11 1/2	5/8	192
35°	C6-35EA-18	18	27	9 7/8	7 1/16	18 7/8	32 13/16	14	28 7/8	6	11 1/2	5/8	79
	C6-35EA-24	24	33	9 7/8	9 1/16	24 1/8	38 3/16	15 1/4	34 7/8	6	11 1/2	5/8	89
	C6-35EA-30	30	39	9 15/16	11 1/16	29 7/16	44 3/16	16 7/16	40 7/8	6	11 1/2	5/8	105
	C6-35EA-36	36	45	9 15/16	13 1/16	34 11/16	48 15/16	17 9/16	46 7/8	6	11 1/2	5/8	119
	C6-35EA-42	42	51	10 5/16	15 1/16	40	55	19 1/16	52 7/8	6	11 1/2	5/8	140
	C6-35EA-48	48	57	10 5/16	17 1/16	45 1/4	60 5/8	20 1/4	58 7/8	6	11 1/2	5/8	167
	C6-35EA-54	54	63	10 7/16	19 1/16	50 1/2	65 1/4	21 1/2	64 7/8	6	11 1/2	5/8	179
	C6-35EA-60	60	69	10 7/16	21 1/16	55 13/16	70 9/16	22 11/16	70 7/8	6	11 1/2	5/8	193
45°	C6-45EA-18	18	27	9 7/8	7 1/16	17 1/4	31 11/16	14 7/8	28 7/8	6	11 1/2	5/8	80
	C6-45EA-24	24	33	9 7/8	9 1/16	22 1/16	36 13/16	16 5/16	34 7/8	6	11 1/2	5/8	90
	C6-45EA-30	30	39	9 15/16	11 1/16	26 7/8	45 5/16	17 3/4	40 7/8	6	11 1/2	5/8	109
	C6-45EA-36	36	45	9 15/16	13 1/16	31 3/4	49 11/16	19 1/8	46 7/8	6	11 1/2	5/8	120
	C6-45EA-42	42	51	10 5/16	15 1/16	36 9/16	54	20 15/16	52 7/8	6	11 1/2	5/8	142
	C6-45EA-48	48	57	10 5/16	17 1/16	41 3/8	59 1/8	22 3/8	58 7/8	6	11 1/2	5/8	169
	C6-45EA-54	54	63	10 7/16	19 1/16	46 3/16	63 3/4	23 7/8	64 7/8	6	11 1/2	5/8	180
	C6-45EA-60	60	69	10 7/16	21 1/16	51	68 5/16	25 5/16	70 7/8	6	11 1/2	5/8	194

TROUGHING IDLERS (UNEQUAL LENGTH ROLLERS) - 4" 5" 6" DIAMETER



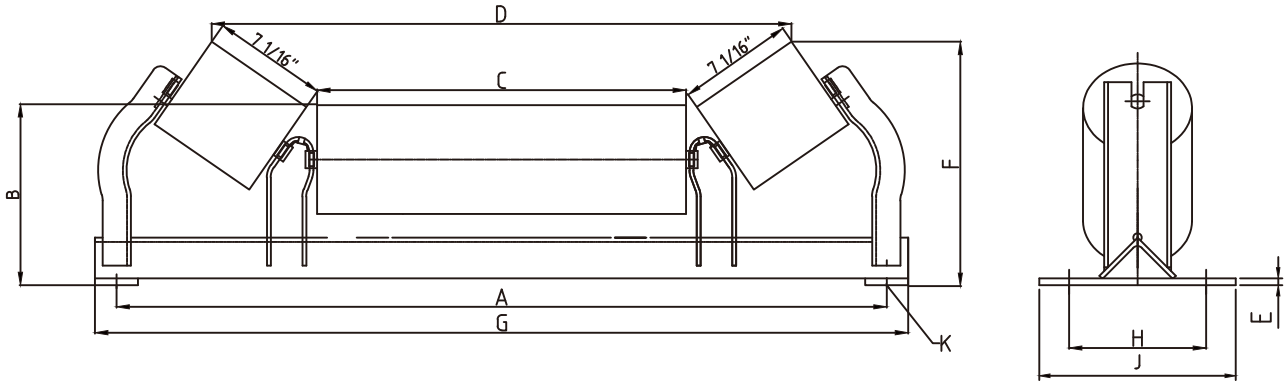
	PART NUMBER		BW	A	B	C		D		E	F		G	H	J	K	WT			
	35°	45°				35°	45°	35°	45°		35°	45°					35°	45°	35°	45°
	4"	C4-35U-30				C4-45U-30	30	39	8		15 1/8	15 1/8					31 5/16	29 1/2	5/16	13 5/16
	C4-35U-36	C4-45U-36	36	45	8	21 1/8	21 1/8	37 5/8	35 13/16	5/16	13 5/16	14 11/16	47	6	9 1/2	5/8	55	56		
	C4-35U-42	C4-45U-42	42	27	8 1/2	26 5/8	26 3/8	43 5/8	41 13/16	5/16	13 3/8	14 3/4	53	7 1/2	9 1/2	5/8	68	69		
	C4-35U-48	C4-45U-48	48	29	8 1/2	32 5/8	32 3/8	49 5/8	47 13/16	5/16	13 3/8	14 3/4	59	7 1/2	9 1/2	5/8	74	76		
	C4-35U-54	C4-45U-54	54	33	8 1/2	38 5/8	37 11/16	55 5/8	53 13/16	5/16	13 3/8	14 7/8	65 1/2	9	11	5/8	86	90		
	C4-35U-60	C4-45U-60	60	39	8 1/2	44 1/8	43 11/16	61 5/8	59 13/16	3/8	13 7/16	14 7/8	71 1/2	9	11	5/8	95	97		
5"	C5-35U-30	C5-45U-30	30	27	8 1/2	15 1/8	15 1/8	30 7/8	29 1/16	5/16	13 11/16	15	41	6	9 1/2	5/8	58	60		
	C5-35U-36	C5-45U-36	36	29	8 1/2	21 1/8	21 1/8	36 7/8	35 1/16	5/16	13 11/16	15	47	6	9 1/2	5/8	65	66		
	C5-35U-42	C5-45U-42	42	33	9	26 5/8	26 3/8	43	41 3/16	5/16	13 3/4	15 1/16	53	7 1/2	9 1/2	5/8	79	81		
	C5-35U-48	C5-45U-48	48	39	9	32 5/8	32 3/8	49	47 3/16	5/16	13 3/4	15 1/16	59	7 1/2	9 1/2	5/8	87	88		
	C5-35U-54	C5-45U-54	54	45	9	38 1/8	37 11/16	55 1/8	53 1/4	5/16	13 13/16	15 3/16	65 1/2	9	11	5/8	100	104		
	C5-35U-60	C5-45U-60	60	51	9	44 1/8	43 11/16	61 1/8	59 1/4	5/16	13 7/8	15 13/16	71 1/2	9	11	5/8	111	112		
6"	C6-35U-30	C6-45U-30	30	57	9	15 1/8	15 1/8	30 3/8	28 3/8	5/16	14 1/8	15 5/16	41	6	9 1/2	5/8	70	72		
	C6-35U-36	C6-45U-36	36	27	9	21 1/8	21 1/8	36 3/8	34 3/8	5/16	14 1/8	15 5/16	47	6	9 1/2	5/8	79	80		
	C6-35U-42	C6-45U-42	42	29	9 1/2	26 5/8	26 3/8	42 1/2	40 1/2	5/16	14 3/16	15 7/16	53	7 1/2	9 1/2	5/8	94	95		
	C6-35U-48	C6-45U-48	48	33	9 1/2	32 5/8	32 3/8	48 1/2	46 1/2	5/16	14 3/16	15 7/16	59	7 1/2	9 1/2	5/8	104	105		
	C6-35U-54	C6-45U-54	54	39	9 1/2	38 1/8	37 11/16	54 5/8	52 5/8	3/8	14 1/4	15 7/8	65	9	11	5/8	118	121		
	C6-35U-60	C6-45U-60	60	45	9 1/2	44 1/8	43 11/16	60 5/8	58 5/8	3/8	14 5/16	15 7/8	71 1/2	9	11	5/8	130	131		

OFFSET CENTER ROLLER IDLER - 5" & 6" DIAMETER



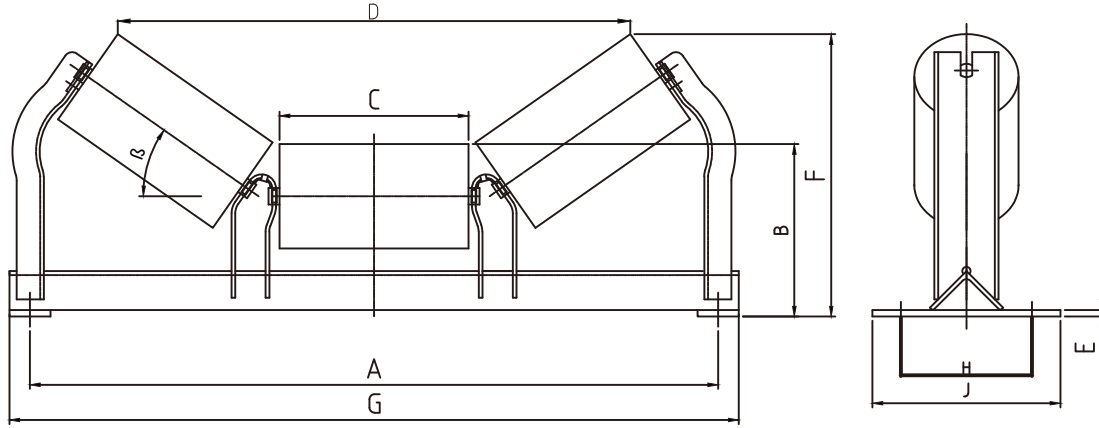
	PART NUMBER		BW	A	B		C	D	E		F		G	H	J	K	L	WT	
	5"	6"			5"	6"			5"	6"	5"	6"						5"	6"
20°	C5-20GO-18	C6-20GO-18	18	27	8 1/2	9	7 1/16	9 1/6	21 7/8	21 1/2	11	11 7/16	29	1/2	1/4	6	8	44	52
	C5-20GO-24	C6-20GO-24	24	33	8 1/2	9	9 1/16	11 1/16	27 5/8	27 5/16	11 11/16	12 1/8	35	5/8	5/16	6	9 1/2	51	62
	C5-20GO-30	C6-20GO-30	30	39	8 1/2	9	11 1/16	13 1/6	33 3/8	33 1/16	12 3/8	12 7/8	41	5/8	5/16	6	9 1/2	61	74
	C5-20GO-36	C6-20GO-36	36	45	8 1/2	9	13 1/16	15 1/6	39 1/8	38 13/16	13 1/16	13 9/16	47	5/8	5/16	6	9 1/2	68	83
	C5-20GO-42	C6-20GO-42	42	51	9	9 1/2	15 1/16	17 1/16	44 7/8	44 9/16	14 3/16	14 11/16	53	5/8	5/16	7 1/2	9 1/2	84	100
	C5-20GO-48	C6-20GO-48	48	57	9	9 1/2	17 1/16	19 1/16	50 5/8	50 5/16	14 7/8	15 3/8	59	5/8	5/16	7 1/2	9 1/2	92	110
	C5-20GO-54	C6-20GO-54	54	63	9	9 1/2	19 1/16	21 1/16	56 3/8	56 1/16	15 5/8	16 1/16	65	5/8	3/8	9	11	106	126
	C5-20GO-60	C6-20GO-60	60	69	9	9 1/2	21 1/16	23 5/16	62 3/16	61 13/16	16 5/16	16 3/4	71 1/2	5/8	3/8	9	11	117	138
35°	C5-35GO-18	C6-35GO-18	18	27	8 1/2	9	7 1/16	9 1/6	19 1/2	18 15/16	12 5/8	13 1/16	29	1/2	1/4	6	8	45	54
	C5-35GO-24	C6-35GO-24	24	33	8 1/2	9	9 1/16	11 1/16	24 3/4	24 1/4	13 13/16	14 3/16	35	5/8	5/16	6	9 1/2	53	64
	C5-35GO-30	C6-35GO-30	30	39	8 1/2	9	11 1/16	13 1/6	30 1/16	29 1/2	14 15/16	15 1/4	41	5/8	5/16	6	9 1/2	63	76
	C5-35GO-36	C6-35GO-36	36	45	8 1/2	9	13 1/16	15 1/6	35 5/16	34 13/16	16 1/8	16 1/2	47	5/8	5/16	6	9 1/2	71	85
	C5-35GO-42	C6-35GO-42	42	51	9	9 1/2	15 1/16	17 1/16	40 5/16	40 1/16	17 11/16	18 1/8	53	5/8	5/16	7 1/2	9 1/2	87	104
	C5-35GO-48	C6-35GO-48	48	57	9	9 1/2	17 1/16	19 1/16	45 7/8	45 5/16	18 7/8	19 1/4	59	5/8	5/16	7 1/2	9 1/2	95	114
	C5-35GO-54	C6-35GO-54	54	63	9	9 1/2	19 1/16	21 1/16	51 3/16	50 5/16	20	20 7/16	65	5/8	3/8	9	11	109	130
	C5-35GO-60	C6-35GO-60	60	69	9	9 1/2	21 1/16	23 5/16	56 7/16	55 7/8	21 3/16	21 9/16	71 1/2	5/8	3/8	9	11	121	142
45°	C5-45GO-18	C6-45GO-18	18	27	8 1/2	9	7 1/16	9 1/6	18 1/8	17 7/16	13 5/8	14	29	1/2	1/4	6	8	47	55
	C5-45GO-24	C6-45GO-24	24	33	8 1/2	9	9 1/16	11 1/16	22 15/16	22 1/4	15 1/16	15 7/16	35	5/8	5/16	6	9 1/2	55	65
	C5-45GO-30	C6-45GO-30	30	39	8 1/2	9	11 1/16	13 1/6	27 3/4	27 1/16	16 1/2	16 7/8	41	5/8	5/16	6	9 1/2	65	78
	C5-45GO-36	C6-45GO-36	36	45	8 1/2	9	13 1/16	15 1/6	32 9/16	31 15/16	17 15/16	18 1/4	47	5/8	5/16	6	9 1/2	73	87
	C5-45GO-42	C6-45GO-42	42	51	9	9 1/2	15 1/16	17 1/16	37 4/9	36 3/4	18 3/4	20 1/8	53	5/8	5/16	7 1/2	9 1/2	89	105
	C5-45GO-48	C6-45GO-48	48	57	9	9 1/2	17 1/16	19 1/16	42 1/4	41 9/16	21 3/16	21 9/16	59	5/8	5/16	7 1/2	9 1/2	97	116
	C5-45GO-54	C6-45GO-54	54	63	9	9 1/2	19 1/16	21 1/16	47 1/16	46 3/8	22 5/8	23	65	5/8	3/8	9	11	114	135
	C5-45GO-60	C6-45GO-60	60	69	9	9 1/2	21 1/16	23 5/16	51 7/8	51 1/4	24 1/16	24 3/8	71 1/2	5/8	3/8	9	11	124	145

FEEDER / PICKING TROUGHING IDLERS - 4" & 5" & 6" DIAMETER



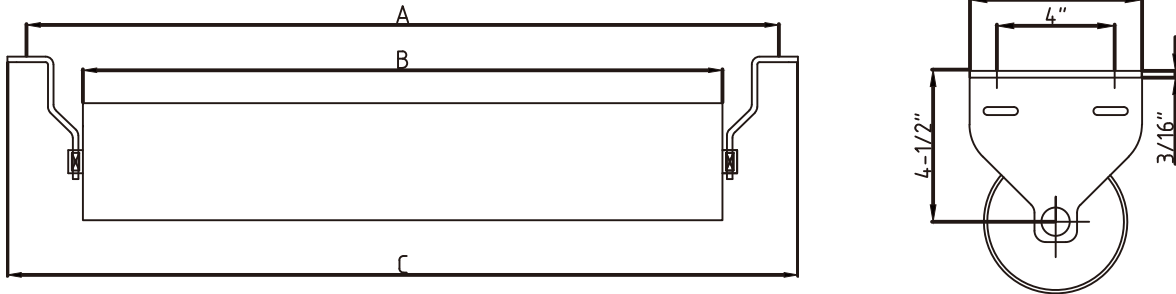
	PART NUMBER	BW	A	B	C	D	E	F	G	H	J	K	WT
4"	C4-20P-24	24	33	7 15/16	13	28 3/16	5/16	10 7/16	35	6	9 1/2	5/8	40
	C4-20P-30	30	39	7 15/16	19	34 3/16	5/16	10 7/16	41	6	9 1/2	5/8	48
	C4-20P-36	36	45	7 15/16	25	40 3/16	5/16	10 7/16	47	6	9 1/2	5/8	53
	C4-20P-42	42	51	8 5/16	30 3/4	43 3/8	5/16	10 1/2	53	6	9 1/2	5/8	66
	C4-20P-48	48	57	8 5/16	36 3/4	52 3/8	5/16	10 1/2	59	6	9 1/2	5/8	73
	C4-20P-54	54	63	8 3/4	42 1/2	58 7/16	3/8	10 9/16	65 1/2	9	11	5/8	84
	C4-20P-60	60	69	8 3/4	48 1/2	64 7/16	3/8	10 9/16	71 1/2	9	11	5/8	94
5"	C5-20P-24	24	33	8 7/16	13	27 5/8	5/16	10 7/8	35	6	9 1/2	5/8	47
	C5-20P-30	30	39	8 7/16	19	33 5/8	5/16	10 7/8	41	6	9 1/2	5/8	56
	C5-20P-36	36	45	8 7/16	25	39 5/8	5/16	10 7/8	47	6	9 1/2	5/8	63
	C5-20P-42	42	51	8 13/16	30 3/4	45 13/16	5/16	10 15/16	53	6	9 1/2	5/8	78
	C5-20P-48	48	57	8 13/16	36 3/4	51 13/16	5/16	10 15/16	59	6	9 1/2	5/8	86
	C5-20P-54	54	63	8 7/8	42 1/2	57 13/16	3/8	11	65 1/2	9	11	5/8	98
	C5-20P-60	60	69	8 7/8	48 1/2	63 13/16	3/8	11	71 1/2	9	11	5/8	109
6"	C6-20P-24	24	33	8 15/16	13	27 9/16	5/16	11 3/8	35	6	9 1/2	5/8	56
	C6-20P-30	30	39	8 15/16	19	33 9/16	5/16	11 3/8	41	6	9 1/2	5/8	67
	C6-20P-36	36	45	8 15/16	25	39 9/16	5/16	11 3/8	47	6	9 1/2	5/8	76
	C6-20P-42	42	51	9 5/16	30 3/4	45 9/16	5/16	11 7/16	53	6	9 1/2	5/8	92
	C6-20P-48	48	57	9 5/16	36 3/4	51 13/16	5/16	11 7/16	59	6	9 1/2	5/8	101
	C6-20P-54	54	63	9 3/8	42 1/2	57 13/16	3/8	11 1/2	65 1/2	9	11	5/8	116
	C6-20P-60	60	69	9 3/8	48 1/2	63 13/16	3/8	11 1/2	71 1/2	9	11	5/8	129

TROUGHING IDLERS (EQUAL LENGTH ROLLERS) - 5" & 6" DIAMETER



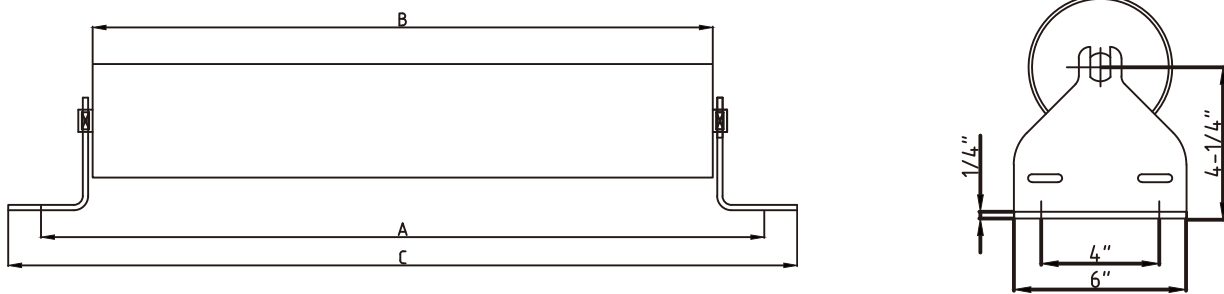
	PART NUMBER		BW	A	B		C	D		E	F		G	H	J	K	WT	
	5"	6"			5"	6"		5"	6"		5"	6"					5"	6"
20°	D5-20E-24	D6-20E-24	24	33	8 1/2	9	9 1/16	27 5/8	26 15/16	5/16	11 11/16	12 1/8	35	6	9 1/2	5/8	51	64
	D5-20E-30	D6-20E-30	30	39	8 1/2	9	11 1/16	33 1/16	32 3/4	5/16	12 3/8	12 7/8	41	6	9 1/2	5/8	63	76
	D5-20E-36	D6-20E-36	36	45	9	9 1/2	13 1/16	38 13/16	38 1/2	5/16	13 1/16	14 1/32	47	6	9 1/2	5/8	72	86
	D5-20E-42	D6-20E-42	42	51	9	9 1/2	15 1/16	44 9/16	44 1/4	5/16	14 3/16	14 3/4	53	7 1/2	9 1/2	5/8	87	104
	D5-20E-48	D6-20E-48	48	57	9 3/8	9 7/8	17 1/16	50 3/8	50	5/16	14 7/8	15 3/4	59	7 1/2	9 1/2	5/8	96	115
	D5-20E-54	D6-20E-54	54	63	9 7/16	9 15/16	19 1/16	56 1/8	55 3/4	3/8	15 5/8	16 1/2	65 1/2	9	11	5/8	109	130
	D5-20E-60	D6-20E-60	60	69	9 7/16	9 15/16	21 1/16	62 1/8	61 1/2	3/8	16 9/16	17 3/16	71 1/2	9	11	5/8	123	144
	D5-20E-72	D6-20E-72	72	81	9 7/16	9 15/16	25 1/16	73 3/8	73	3/8	18 1/8	18 9/16	83 1/2	9	11	5/8	144	167
35°	D5-35E-24	D6-35E-24	24	33	8 1/2	9	9 1/16	24 11/16	24 1/8	5/16	13 13/16	14 3/16	35	6	9 1/2	5/8	55	66
	D5-35E-30	D6-35E-30	30	39	8 1/2	9	11 1/16	30	29 7/16	5/16	14 15/16	15 3/8	41	6	9 1/2	5/8	66	78
	D5-35E-36	D6-35E-36	36	45	9	9 1/2	13 1/16	35 1/4	34 11/16	5/16	16 1/8	16	47	6	9 1/2	5/8	74	88
	D5-35E-42	D6-35E-42	42	51	9	9 1/2	15 1/16	40 9/16	40	5/16	17 11/16	18 3/16	53	7 1/2	9 1/2	5/8	90	106
	D5-35E-48	D6-35E-48	48	57	9 3/8	9 7/8	17 1/16	45 13/16	45 1/4	5/16	18 7/8	19 11/16	59	7 1/2	9 1/2	5/8	99	117
	D5-35E-54	D6-35E-54	54	63	9 7/16	9 15/16	19 1/16	51 1/8	50 1/2	3/8	20 5/16	20 7/8	65 1/2	9	11	5/8	113	134
	D5-35E-60	D6-35E-60	60	69	9 7/16	9 15/16	21 1/16	56 5/16	55 13/16	3/8	21 3/16	22	71 1/2	9	11	5/8	126	148
	D5-35E-72	D6-35E-72	72	81	9 7/16	9 15/16	25 1/16	66 7/8	66 5/16	3/8	23 15/16	24 5/16	83 1/2	9	11	5/8	145	171
45°	D5-45E-24	D6-45E-24	24	33	8 1/2	9	9 1/16	22 3/4	22 1/6	5/16	15 1/16	15 7/16	35	6	9 1/2	5/8	57	68
	D5-45E-30	D6-45E-30	30	39	8 1/2	9	11 1/16	27 5/8	26 7/8	5/16	16 1/2	16 7/8	41	6	9 1/2	5/8	67	80
	D5-45E-36	D6-45E-36	36	45	9	9 1/2	13 1/16	32 7/16	31 3/4	5/16	17 15/16	18 3/4	47	6	9 1/2	5/8	75	90
	D5-45E-42	D6-45E-42	42	51	9	9 1/2	15 1/16	37 1/4	36 9/16	5/16	19 3/4	20 3/16	53	7 1/2	9 1/2	5/8	94	111
	D5-45E-48	D6-45E-48	48	57	9 3/8	9 7/8	17 1/16	42 1/8	41 3/8	5/16	21 1/8	21 15/16	59	7 1/2	9 1/2	5/8	101	119
	D5-45E-54	D6-45E-54	54	63	9 7/16	9 15/16	19 1/16	46 15/16	46 3/16	3/8	22 15/16	23 1/4	65 1/2	9	11	5/8	116	138
	D5-45E-60	D6-45E-60	60	69	9 7/16	9 15/16	21 1/16	51 3/4	51	3/8	24 1/16	24 7/8	71 1/2	9	11	5/8	133	151
	D5-45E-72	D6-45E-72	72	81	9 7/16	9 15/16	25 1/16	61 3/8	60 11/16	3/8	27 5/16	27 11/16	83 1/2	9	11	5/8	154	174

RETURN IDLERS - 5" & 6" DIAMETER



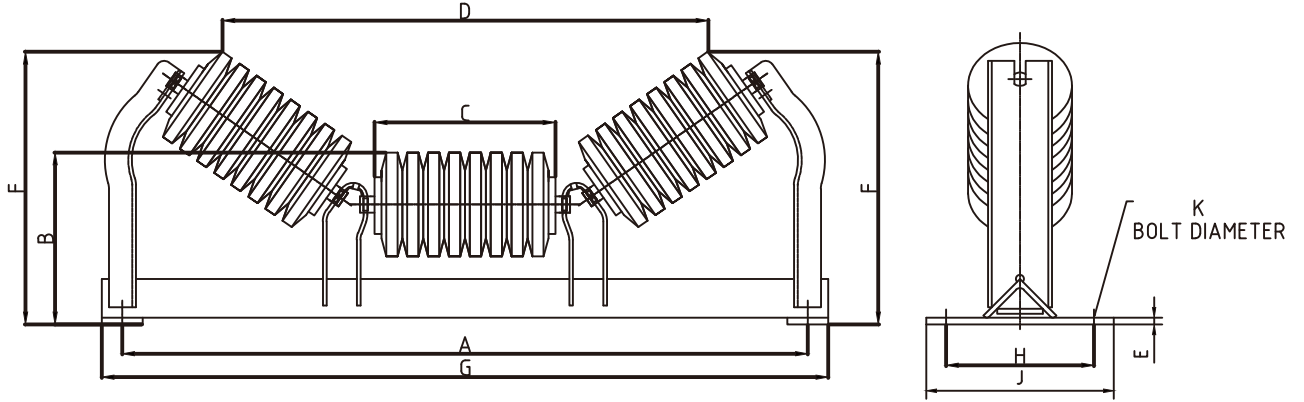
5" PART NUMBER	6" PART NUMBER	BW"	A	B	C	WT	
						5"	6"
D5-RET-24	D6-RET-24	24	33	27 5/16	34 3/4	30	40
D5-RET-30	D6-RET-30	30	39	33 5/16	40 3/4	36	47
D5-RET-36	D6-RET-36	36	5	39 5/16	46 3/4	41	54
D5-RET-42	D6-RET-42	42	51	45 5/16	52 3/4	46	61
D5-RET-48	D6-RET-48	48	57	51 5/16	58 3/4	51	68
D5-RET-54	D6-RET-54	54	63	57 5/16	64 3/4	56	75
D5-RET-60	D6-RET-60	60	69	63 5/16	70 3/4	61	83
D5-RET-72	D6-RET-72	72	81	75 5/16	82 3/4	72	97

FLAT IDLERS - 5" & 6" DIAMETER



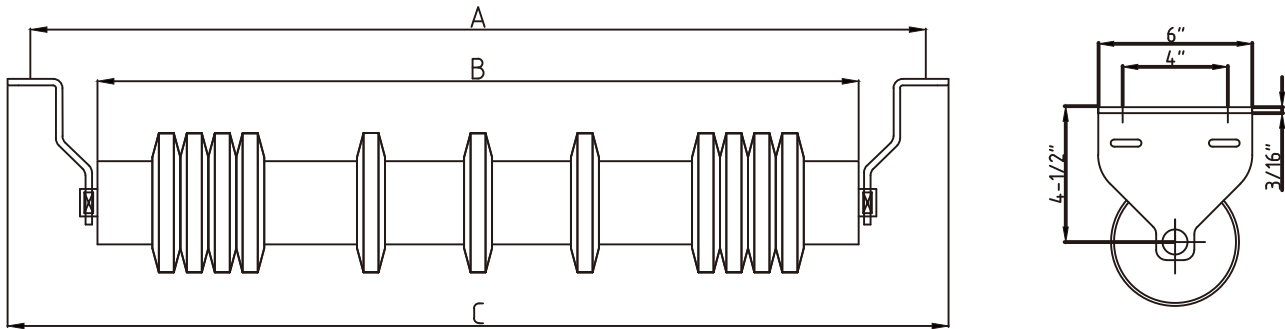
5" PART NUMBER	6" PART NUMBER	BW"	A	B	C	WT	
						5"	6"
D5-FLT-24	D6-FLT-24	24	33	27 5/16	34 3/4	33	42
D5-FLT-30	D6-FLT-30	30	39	33 5/16	40 3/4	38	49
D5-FLT-36	D6-FLT-36	36	5	39 5/16	46 3/4	43	57
D5-FLT-42	D6-FLT-42	42	51	45 5/16	52 3/4	48	64
D5-FLT-48	D6-FLT-48	48	57	51 5/16	58 3/4	54	71
D5-FLT-54	D6-FLT-54	54	63	57 5/16	64 3/4	59	78
D5-FLT-60	D6-FLT-60	60	69	63 5/16	70 3/4	64	85
D5-FLT-72	D6-FLT-72	72	81	75 5/16	82 3/4	74	99

RUBBER CUSHION IMPACT TROUGHING IDLERS - 5" & 6" DIAMETER



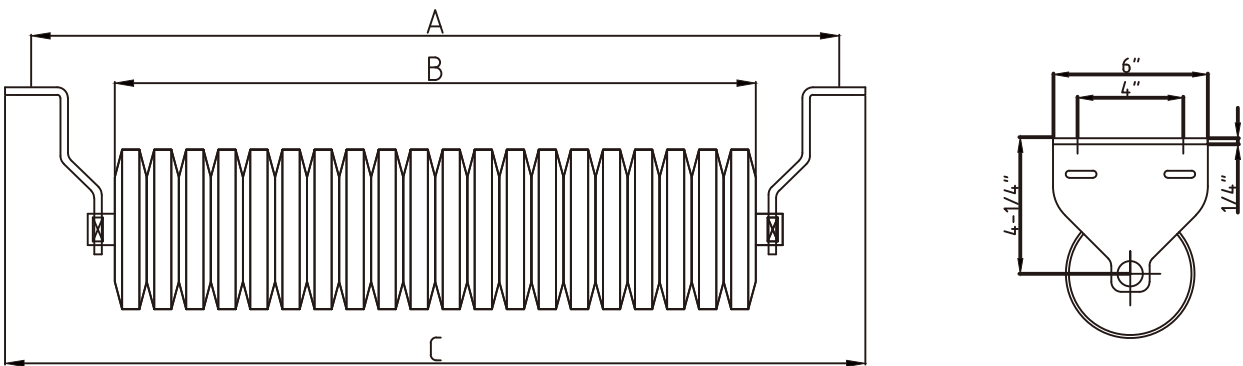
	PART NUMBER		BW	A	B		C	D		E	F		G	H	J	K	WT	
	5"	6"			5"	6"		5"	6"		5"	6"					5"	6"
20°	D5-20EI-24	D6-20EI-24	24	33	8 1/2	9	9 1/16	26 13/16	26 7/16	5/16	11 11/16	12 1/8	35	6	9 1/2	5/8	53	65
	D5-20EI-30	D6-20EI-30	30	39	8 1/2	9	11 1/16	32 9/16	32 1/4	5/16	12 3/8	12 7/8	41	6	9 1/2	5/8	71	78
	D5-20EI-36	D6-20EI-36	36	45	9	9 1/2	13 1/16	38 5/16	38	5/16	13 9/16	14 1/32	47	6	9 1/2	5/8	83	94
	D5-20EI-42	D6-20EI-42	42	51	9	9 1/2	15 1/16	44 1/16	43 3/4	5/16	14 1/4	14 3/4	53	7 1/2	9 1/2	5/8	106	116
	D5-20EI-48	D6-20EI-48	48	57	9 3/8	9 7/8	17 1/16	49 7/8	49 1/2	5/16	15 5/16	15 3/4	59	7 1/2	9 1/2	5/8	120	131
	D5-20EI-54	D6-20EI-54	54	63	9 7/16	9 15/16	19 1/16	55 5/8	55 1/4	3/8	16 1/32	16 1/2	65 1/2	9	11	5/8	130	142
	D5-20EI-60	D6-20EI-60	60	69	9 7/16	9 15/16	21 1/16	61 3/8	61	3/8	16 3/4	17 3/16	71 1/2	9	11	5/8	145	152
	D5-20EI-72	D6-20EI-72	72	81	9 7/16	9 15/16	25 1/16	73	72 11/16	3/8	17 9/16	18 1/16	83 1/2	9	11	5/8	160	164
35°	D5-35EI-24	D6-35EI-24	24	33	8 1/2	9	9 1/16	24 5/16	23 3/4	5/16	11 11/16	14 3/16	35	6	9 1/2	5/8	60	68
	D5-35EI-30	D6-35EI-30	30	39	8 1/2	9	11 1/16	29 5/8	29 1/16	5/16	12 3/8	15 3/8	41	6	9 1/2	5/8	72	81
	D5-35EI-36	D6-35EI-36	36	45	9	9 1/2	13 1/16	34 7/8	34 5/16	5/16	16 5/8	16	47	6	9 1/2	5/8	85	96
	D5-35EI-42	D6-35EI-42	42	51	9	9 1/2	15 1/16	40 3/16	39 5/8	5/16	17 3/4	18 3/16	53	7 1/2	9 1/2	5/8	108	118
	D5-35EI-48	D6-35EI-48	48	57	9 3/8	9 7/8	17 1/16	45 7/16	44 7/8	5/16	19 1/4	19 11/16	59	7 1/2	9 1/2	5/8	123	133
	D5-35EI-54	D6-35EI-54	54	63	9 7/16	9 15/16	19 1/16	69 15/16	49 15/16	3/8	20 1/16	20 7/16	65 1/2	9	11	5/8	132	145
	D5-35EI-60	D6-35EI-60	60	69	9 7/16	9 15/16	21 1/16	56	55 7/16	3/8	21 5/8	22	71 1/2	9	11	5/8	148	157
	D5-35EI-72	D6-35EI-72	72	81	9 7/16	9 15/16	25 1/16	65 1/2	64 15/16	3/8	24 3/16	24 11/16	83 1/2	9	11	5/8	164	172
45°	D5-45EI-24	D6-45EI-24	24	33	8 1/2	9	9 1/16	22 3/4	21 11/16	5/16	15 1/16	15 7/16	35	6	9 1/2	5/8	51	70
	D5-45EI-30	D6-45EI30	30	39	8 1/2	9	11 1/16	27 5/8	26 1/2	5/16	16 1/8	16 7/8	41	6	9 1/2	5/8	60	81
	D5-45EI-36	D6-45EI-36	36	45	9	9 1/2	13 1/16	32 7/16	32 1/16	5/16	18 7/16	18 3/4	47	6	9 1/2	5/8	67	98
	D5-45EI-42	D6-45EI42	42	51	9	9 1/2	15 1/16	37 1/4	36 3/16	5/16	19 13/16	20 3/16	53	7 1/2	9 1/2	5/8	89	120
	D5-45EI-48	D6-45EI48	48	57	9 3/8	9 7/8	17 1/16	42 1/16	41	5/16	21 5/8	21 15/16	59	7 1/2	9 1/2	5/8	96	136
	D5-45EI-54	D6-45EI54	54	63	9 7/16	9 15/16	19 1/16	46 15/16	45 13/16	3/8	23 1/16	23 7/16	65 1/2	9	11	5/8	107	148
	D5-45EI-60	D6-45EI60	60	69	9 7/16	9 15/16	21 1/16	51 3/4	50 9/16	3/8	24 1/2	24 7/8	71 1/2	9	11	5/8	116	159
	D5-45EI-72	D6-45EI72	72	81	9 7/16	9 15/16	25 1/16	61 3/8	60 7/16	3/8	27 5/16	27 15/16	83 1/2	9	11	5/8	133	174

RUBBER CUSHION RETURN IDLERS - 5" & 6" DIAMETER



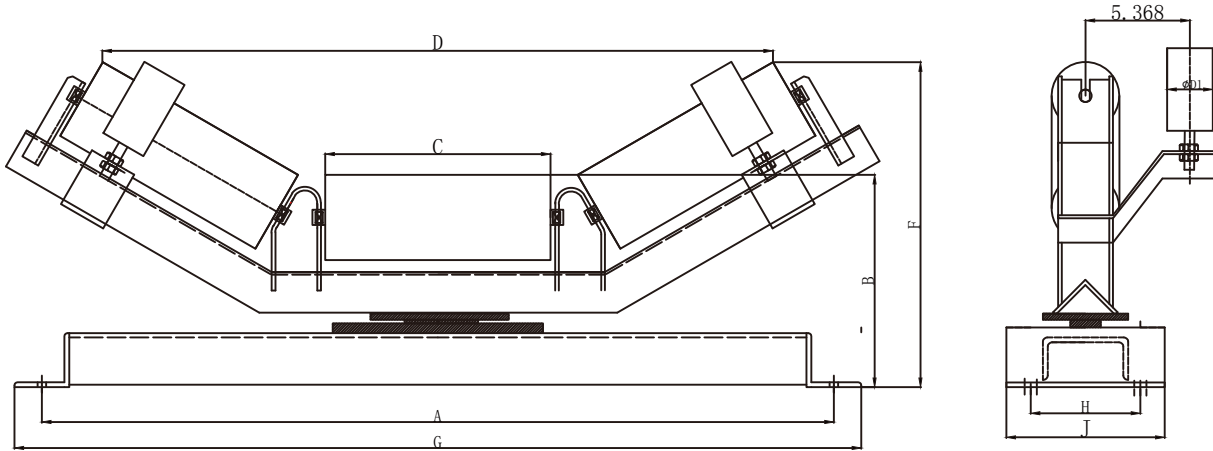
PART NUMBER		BW	A	B	C	WT	
5"	6"					5"	6"
D5-RETI-24	D6-RETI-24	24	33	27 7/16	34 1/2	33	39
D5-RETI-30	D6-RETI-30	30	39	33 7/16	40 1/2	39	43
D5-RETI-36	D6-RETI-36	36	45	39 7/16	46 1/2	43	50
D5-RETI-42	D6-RETI-42	42	51	45 7/16	52 1/2	46	53
D5-RETI-48	D6-RETI-48	48	57	51 7/16	58 1/2	53	60
D5-RETI-54	D6-RETI-54	54	63	57 7/16	64 1/2	58	64
D5-RETI-60	D6-RETI-60	60	69	63 7/16	70 1/2	63	68
D5-RETI-72	D6-RETI-72	72	81	75 7/16	82 1/2	79	73

RUBBER CUSHION FLAT IDLERS - 5" & 6" DIAMETER



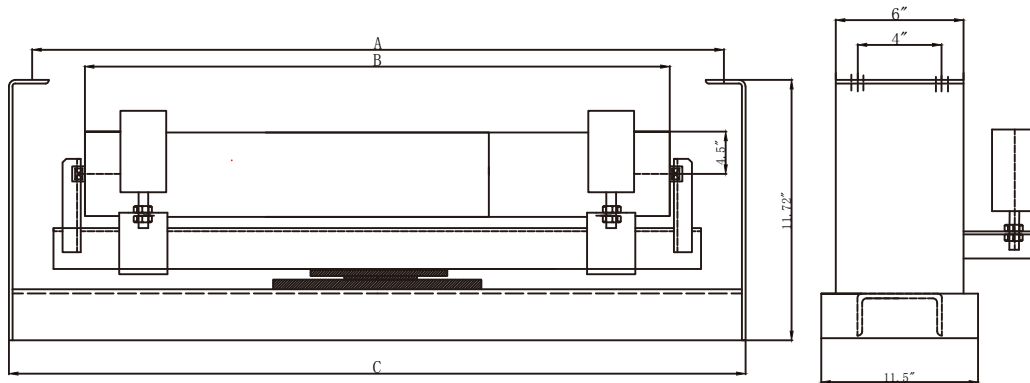
PART NUMBER		BW	A	B	C	WT	
5"	6"					5"	6"
D5-FLTI-24	D6-FLTI-24	24	33	27 7/16	34 15/16	45	52
D5-FLTI-30	D6-FLTI-30	30	39	33 7/16	40 15/16	53	62
D5-FLTI-36	D6-FLTI-36	36	45	39 7/16	46 15/16	61	71
D5-FLTI-42	D6-FLTI-42	42	51	45 7/16	52 15/16	69	81
D5-FLTI-48	D6-FLTI-48	48	57	51 7/16	58 15/16	78	92
D5-FLTI-54	D6-FLTI-54	54	63	57 7/16	64 15/16	86	101
D5-FLTI-60	D6-FLTI-60	60	69	63 7/16	70 15/16	94	111
D5-FLTI-72	D6-FLTI-72	72	81	75 7/16	82 15/16	111	130

SELF-ALIGNING TROUGHING IDLER - 5" & 6" DIAMETER



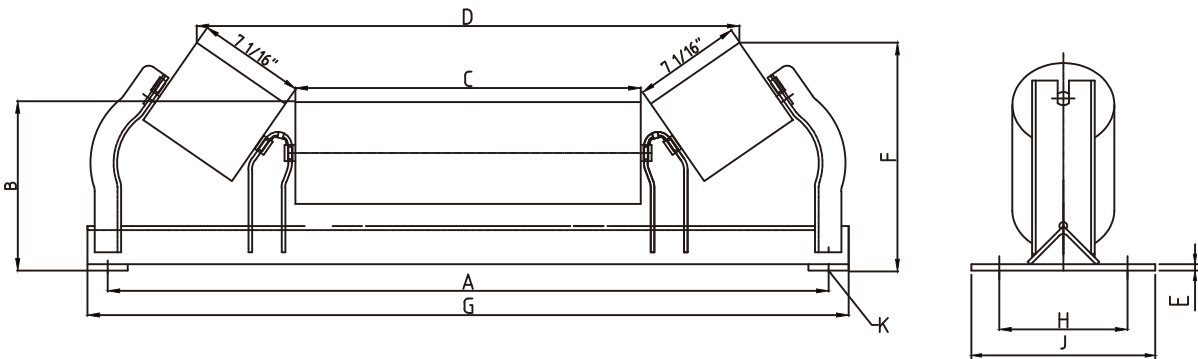
	PART NUMBER		BW	A	B		C	D		E	F		G	H	J	K	WT	
	5"	6"			5"	6"		5"	6"		5"	6"					5"	6"
20°	D5-20EA-24	D6-20EA-24	24	33	9 3/8	9 7/8	9 1/16	21 5/8	21 5/16	30 5/8	11 7/8	12 5/16	28 7/8	6	11 1/2	5/8	89	93
	D5-20EA-30	D6-20EA-30	30	39	9 3/8	9 7/8	11 1/16	27 3/8	27 1/16	36 5/8	12 9/16	13	34 7/8	6	11 1/2	5/8	107	105
	D5-20EA-36	D6-20EA-36	36	45	9 7/16	9 15/16	13 1/16	33 1/8	32 13/16	42 3/16	13 5/16	13 3/4	40 7/8	6	11 1/2	5/8	118	122
	D5-20EA-42	D6-20EA-42	42	51	9 7/16	9 15/16	15 1/16	38 7/8	38 9/16	47 15/16	14	14 7/16	46 7/8	6	11 1/2	5/8	140	146
	D5-20EA-48	D6-20EA-48	48	57	9 13/16	10 5/16	17 1/16	44 5/8	44 5/16	53 15/16	15 1/16	15 1/2	52 7/8	6	11 1/2	5/8	165	172
	D5-20EA-54	D6-20EA-54	54	63	9 13/16	10 5/16	19 1/16	50 3/8	50 1/16	59 1/16	15 3/4	16 3/16	58 7/8	6	11 1/2	5/8	178	183
	D5-20EA-60	D6-20EA-60	60	69	9 15/16	10 7/16	21 1/16	56 1/8	55 13/16	65 7/16	16 9/16	17	64 7/8	6	11 1/2	5/8	192	199
	D5-20EA-72	D6-20EA-72	72	81	9 15/16	10 7/16	25 1/16	61 15/16	61 9/16	71 3/16	17 1/4	17 11/16	70 7/8	6	11 1/2	5/8	202	211
35°	D5-35EA-24	D6-35EA-24	24	33	9 3/8	9 7/8	9 1/16	24 11/16	24 1/8	38 3/16	14 7/8	15 1/4	28 7/8	6	11 1/2	5/8	91	93
	D5-35EA-30	D6-35EA-30	30	39	9 3/8	9 7/8	11 1/16	30	29 7/16	44 3/16	15 7/8	16 7/16	34 7/8	6	11 1/2	5/8	109	109
	D5-35EA-36	D6-35EA-36	36	45	9 7/16	9 15/16	13 1/16	35 1/4	34 11/16	48 15/16	17 3/16	17 9/16	40 7/8	6	11 1/2	5/8	120	124
	D5-35EA-42	D6-35EA-42	42	51	9 7/16	9 15/16	15 1/16	40 9/16	40	55	18 3/4	19 3/16	46 7/8	6	11 1/2	5/8	142	146
	D5-35EA-48	D6-35EA-48	48	57	9 13/16	10 5/16	17 1/16	45 13/16	45 1/4	60 5/8	20	20 5/16	52 7/8	6	11 1/2	5/8	167	173
	D5-35EA-54	D6-35EA-54	54	63	9 13/16	10 5/16	19 1/16	51 1/8	50 1/2	65 9/16	21 1/16	21 1/2	58 7/8	6	11 1/2	5/8	180	186
	D5-35EA-60	D6-35EA-60	60	69	9 15/16	10 7/16	21 1/16	56 5/16	55 13/16	70 9/16	22 1/4	22 5/8	64 7/8	6	11 1/2	5/8	194	200
	D5-35EA-72	D6-35EA-72	72	81	9 15/16	10 7/16	25 1/16	66 7/8	61 1/8	82 3/4	22 7/16	24 3/8	70 7/8	6	11 1/2	5/8	204	210
45°	D5-45EA-24	D6-45EA-24	24	33	9 3/8	9 7/8	9 1/16	22 3/4	22 1/16	36 13/16	16 1/8	16 1/2	28 7/8	6	11 1/2	5/8	92	94
	D5-45EA-30	D6-45EA-30	30	39	9 3/8	9 7/8	11 1/16	27 5/8	26 7/8	43 5/16	17 5/8	18	34 7/8	6	11 1/2	5/8	110	113
	D5-45EA-36	D6-45EA-36	36	45	9 7/16	9 15/16	13 1/16	32 7/16	31 3/4	49 11/16	19 1/16	19 3/8	40 7/8	6	11 1/2	5/8	121	125
	D5-45EA-42	D6-45EA-42	42	51	9 7/16	9 15/16	15 1/16	37 1/4	36 9/16	54	20 3/4	21 1/8	46 7/8	6	11 1/2	5/8	143	148
	D5-45EA-48	D6-45EA-48	48	57	9 13/16	10 5/16	17 1/16	42 1/16	41 3/8	59 1/8	22 3/16	21 7/8	52 7/8	6	11 1/2	5/8	169	175
	D5-45EA-54	D6-45EA-54	54	63	9 13/16	10 5/16	19 1/16	46 15/16	46 3/16	63 3/4	23 5/8	24	58 7/8	6	11 1/2	5/8	185	187
	D5-45EA-60	D6-45EA-60	60	69	9 15/16	10 7/16	21 1/16	51 3/4	51	68 5/16	25	25 3/8	64 7/8	6	11 1/2	5/8	196	201
	D5-45EA-72	D6-45EA-72	72	81	9 15/16	10 7/16	25 1/16	61 3/8	72 7/8	80 3/4	26 5/8	26 7/8	70 7/8	6	11 1/2	5/8	206	211

SELF-ALIGNING RETURN IDLERS - 5" & 6" DIAMETER



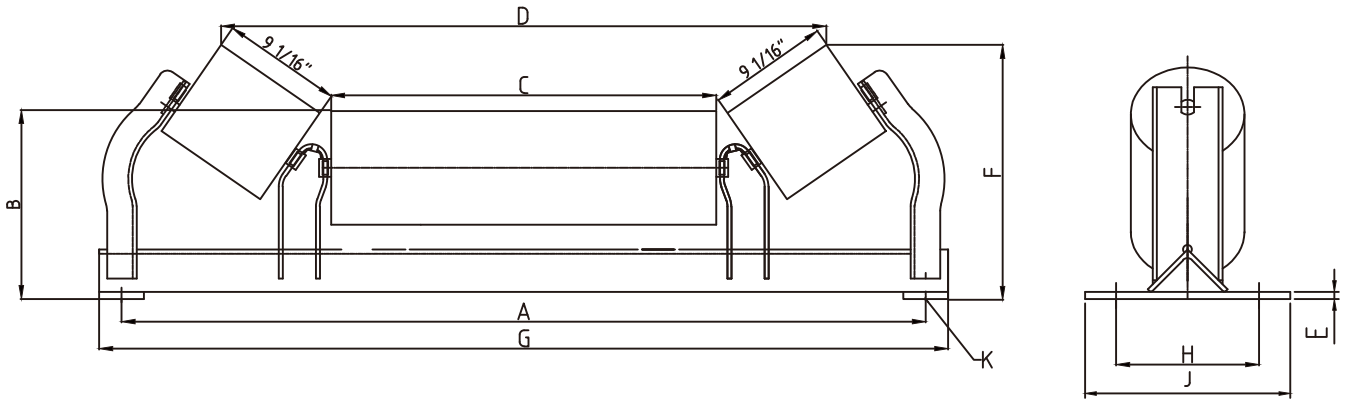
PART NUMBER		BW	A	B	C	D	WT	
5"	6"						5"	6"
D5-RETA-24	D6-RETA-24	24	33	27 5/16	35 3/4	29 5/8	78	88
D5-RETA-30	D6-RETA-30	30	39	33 5/16	41 3/4	35 5/8	105	116
D5-RETA-36	D6-RETA-36	36	45	39 5/16	47 3/4	41 5/8	109	122
D5-RETA-42	D6-RETA-42	42	51	45 5/16	53 3/4	47 5/8	139	154
D5-RETA-48	D6-RETA-48	48	57	51 5/16	59 3/4	53 5/8	147	164
D5-RETA-54	D6-RETA-54	54	63	57 5/16	65 3/4	59 5/8	158	177
D5-RETA-60	D6-RETA-60	60	69	63 5/16	71 3/4	65 5/8	171	193
D5-RETA-72	D6-RETA-72	72	81	75 5/16	83 3/4	77 5/8	197	222

FEEDER / PICKING TROUGHING IDLERS - 5" & 6" DIAMETER



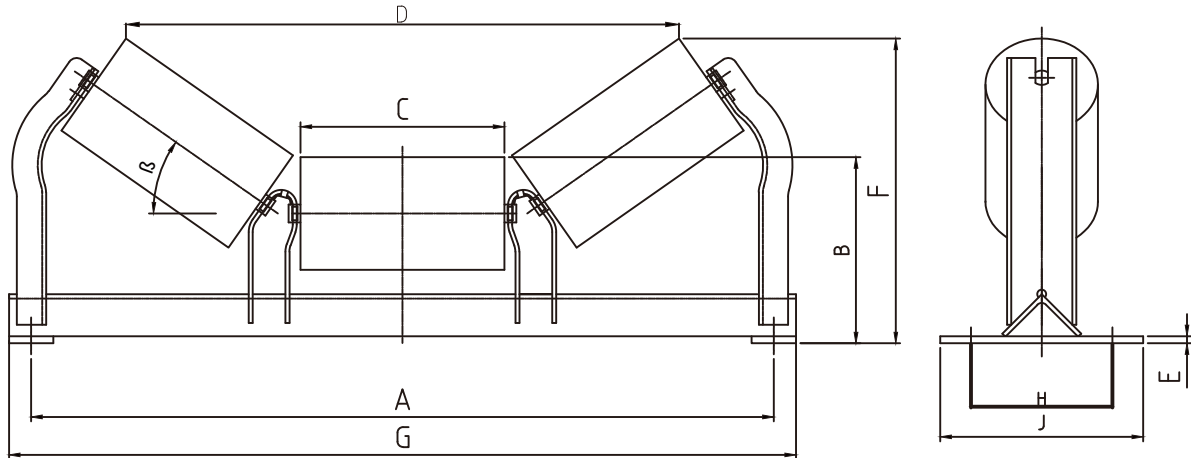
	PART NUMBER	BW	A	B	C	D	E	F	G	H	J	K	WT
5"	D5-20P-24	24	33	8 1/2	13	27 13/16	5/16	11	20	6	9 1/2	5/8	53
	D5-20P-30	30	39	8 9/16	19	33 4/5	5/16	11	41	6	9 1/2	5/8	65
	D5-20P-36	36	45	8 9/16	25	39 13/16	5/16	11	47	6	9 1/2	5/8	70
	D5-20P-42	42	51	8 15/16	30 3/4	46	5/16	11 1/16	53	6	9 1/2	5/8	85
	D5-20P-48	48	57	8 15/16	36 3/4	52	5/16	11 1/16	59	6	9 1/2	5/8	94
	D5-20P-54	54	63	9 5/16	42 1/2	58 1/8	3/8	11 1/8	65 1/2	9	11	5/8	107
	D5-20P-60	60	69	9 5/16	48 1/2	64 1/8	3/8	11 1/8	71 1/2	9	11	5/8	118
	D5-20P-72	72	81	9 5/16	60 1/2	76 1/8	3/8	11 1/8	83 1/2	9	11	5/8	140
6"	D6-20P-24	24	33	9	13	27 1/2	5/16	11 7/16	35	6	9 1/2	1/2	63
	D6-20P-30	30	39	9 1/16	19	33 1/2	5/16	11 7/16	41	6	9 1/2	1/2	74
	D6-20P-36	36	45	9 1/16	25	39 1/2	5/16	11 7/16	47	6	9 1/2	1/2	83
	D6-20P-42	42	51	9 7/16	30 3/4	45 3/4	5/16	11 9/16	53	6	9 1/2	5/8	100
	D6-20P-48	48	57	9 7/16	36 3/4	51 3/4	5/16	11 9/16	59	6	9 1/2	5/8	110
	D6-20P-54	54	63	9 13/16	42 1/2	58	3/8	11 11/16	65 1/2	9	11	5/8	125
	D6-20P-60	60	69	9 13/16	48 1/2	64	3/8	11 11/16	71 1/2	9	11	5/8	138
	D6-20P-72	72	81	9 13/16	60 1/2	76	3/8	11 11/16	83 1/2	9	11	5/8	174

TROUGHING IDLER (UNEQUAL LENGTH ROLLERS) - 5" & 6" DIAMETER



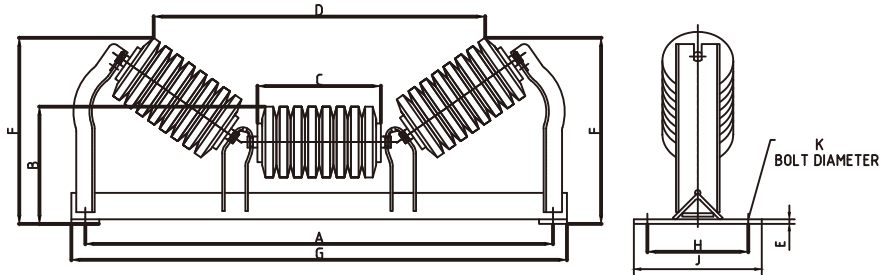
	35° PART NUMBER	45° PART NUMBER	BW	A	B	C		D		E	F		G	H	J	K	WT	
						35°	45°	35°	45°		35°	45°					35°	45°
5"	D5-35U-30	D5-45U-30	30	39	8 1/2	15 1/16	15 1/16	30 3/4	28 3/4	5/16	13 3/4	15 1/16	41	6	9 1/2		65	66
	D5-35U-36	D5-45U-36	36	45	8 1/2	21 1/3	21 1/3	37 1/16	35 1/8	5/16	13 3/4	15 1/16	47	6	9 1/2		72	73
	D5-35U-42	D5-45U-42	42	51	9	26 5/8	26 5/8	43 1/16	41 1/8	5/16	13 3/4	15 1/8	53	6	9 1/2		87	88
	D5-35U-48	D5-45U-48	48	57	9	32 3/8	32 3/8	49 1/16	47 1/8	5/16	13 3/4	15 1/8	59	6	9 1/2		95	96
	D5-35U-54	D5-45U-54	54	63	9 7/16	38 1/8	37 11/16	55 1/16	53 1/8	3/8	13 7/8	15 1/4	65	9	11		108	112
	D5-35U-60	D5-45U-60	60	69	9 7/16	44 1/8	43 11/16	61 1/16	59 1/9	3/8	13 15/16	15 1/4	71 1/2	9	11		120	121
	D5-35U-72	D5-45U-72	72	81	9 5/16	56 1/8	55 11/16	73	71 1/16	3/8	13 15/16	15 1/4	83 1/2	9	11		137	138
6"	D6-35U-30	D6-45U-30	30	39	9	15 1/16	15 1/16	30 1/8	28 1/16	5/16	14 1/4	15 7/16	41	6	9 1/2		77	79
	D6-35U-36	D6-45U-36	36	45	9	21 1/3	21 1/3	36 1/2	34 3/8	5/16	14 1/4	15 7/16	47	6	9 1/2		86	88
	D6-35U-42	D6-45U-42	42	51	9 1/2	26 5/8	26 5/8	42 1/2	40 3/8	5/16	14 1/4	15 1/2	53	6	9 1/2		102	103
	D6-35U-48	D6-45U-48	48	57	9 1/2	32 3/8	32 3/8	48 1/2	46 3/8	5/16	14 1/4	15 1/2	59	6	9 1/2		112	113
	D6-35U-54	D6-45U-54	54	63	9 15/16	38 1/8	37 11/16	54 1/2	52 3/8	3/8	14 5/16	15 5/8	65	9	11		127	130
	D6-35U-60	D6-45U-60	60	69	9 15/16	44 1/8	43 11/16	60 1/2	58 3/8	3/8	14 3/8	15 5/8	71 1/2	9	11		140	141
	D6-35U-72	D6-45U-72	72	81	9 15/16	56 1/8	55 11/16	72 1/2	70 1/2	3/8	14 3/8	15 5/8	83 1/2	9	11		161	161

TROUGHING IDLER (EQUAL LENGTH ROLLERS) - 6" & 7" DIAMETER



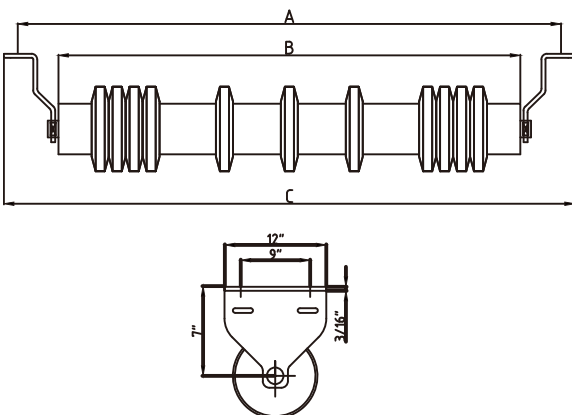
	PART NUMBER		BW	A	B		C	D		E	F		G	H	J	K	WT	
	6"	7"			6"	7"		6"	7"		6"	7"					6"	7"
20°	E6-20E-36	E7-20E-36	36	45	10 3/4	11 1/4	12 3/4	39 7/8	40 5/16	1/2	15 3/8	15 11/16	47 1/2	9 1/2	12	3/4	157	169
	E6-20E-42	E7-20E-42	42	51	10 3/4	11 1/4	14 3/4	45 5/8	46 1/16	1/2	16 3/16	16 1/2	53 1/2	9 1/2	12	3/4	174	187
	E6-20E-48	E7-20E-48	48	57	10 3/4	11 1/4	17 1/2	53 5/16	53 3/4	1/2	16 15/16	17 1/4	59 1/2	9 1/2	12	3/4	197	211
	E6-20E-54	E7-20E-54	54	63	10 3/4	11 1/4	19 1/2	59 1/8	59 9/16	1/2	17 5/8	17 15/16	65 1/2	9 1/2	12	3/4	213	228
	E6-20E-60	E7-20E-60	60	69	10 3/4	11 1/4	21 1/2	65 1/16	65 1/2	1/2	18 3/8	18 11/16	71 1/2	9 1/2	12	3/4	229	246
	E6-20E-72	E7-20E-72	72	81	11 1/2	12	25 1/2	76 3/8	76 13/16	1/2	20 7/16	20 3/4	83 1/2	9 1/2	12	3/4	264	283
	E6-20E-84	E7-20E-84	84	93	11 3/4	12 1/4	29 1/2	88 1/6	88 1/2	1/2	22 1/16	22 3/8	95 1/2	12	14	3/4	297	319
	E6-20E-96	E7-20E-96	96	105	11 3/4	12 1/4	33 1/2	99 5/8	100 1/16	1/2	23 7/16	23 3/4	107 1/2	12	14	3/4	330	355
35°	E6-35E-36	E7-35E-36	36	45	10 3/4	11 1/4	12 3/4	35 7/8	36 5/16	1/2	18 1/4	18 9/16	47 1/2	9 1/2	12	3/4	164	174
	E6-35E-42	E7-35E-42	42	51	10 3/4	11 1/4	14 3/4	41 3/16	41 5/8	1/2	19 3/8	19 11/16	53 1/2	9 1/2	12	3/4	180	193
	E6-35E-48	E7-35E-48	48	57	10 3/4	11 1/4	17 1/2	48 7/16	48 7/8	1/2	21	21 5/16	59 1/2	9 1/2	12	3/4	203	218
	E6-35E-54	E7-35E-54	54	63	10 3/4	11 1/4	19 1/2	53 3/4	54 3/16	1/2	22 1/8	22 7/16	65 1/2	9 1/2	12	3/4	220	236
	E6-35E-60	E7-35E-60	60	69	10 3/4	11 1/4	21 1/2	59	59 7/16	1/2	23 1/4	23 9/16	71 1/2	9 1/2	12	3/4	237	254
	E6-35E-72	E7-35E-72	72	81	11 1/2	12	25 1/2	69 1/2	69 15/16	1/2	26 3/16	26 1/2	83 1/2	9 1/2	12	3/4	273	292
	E6-35E-84	E7-35E-84	84	93	11 3/4	12 1/4	29 1/2	79 11/16	C 1/8	1/2	29 1/16	29 3/8	95 1/2	12	14	3/4	307	329
	E6-35E-96	E7-35E-96	96	105	11 3/4	12 1/4	33 1/2	90 5/8	D 1/16	1/2	31 1/8	31 7/16	107 1/2	12	14	3/4	341	366
45°	E6-45E-36	E7-45E-36	36	45	10 3/4	11 1/4	12 3/4	32 3/8	32 13/16	1/2	19 7/8	20 3/16	47 1/2	9 1/2	12	3/4	167	179
	E6-45E-42	E7-45E-42	42	51	10 3/4	11 1/4	14 3/4	37 3/16	37 5/8	1/2	21 5/16	21 5/8	53 1/2	9 1/2	12	3/4	185	198
	E6-45E-48	E7-45E-48	48	57	10 3/4	11 1/4	17 1/2	43 13/16	44 1/4	1/2	23 1/4	23 9/16	59 1/2	9 1/2	12	3/4	209	224
	E6-45E-54	E7-45E-54	54	63	10 3/4	11 1/4	19 1/2	48 5/8	49 1/16	1/2	24 5/8	24 15/16	65 1/2	9 1/2	12	3/4	226	242
	E6-45E-60	E7-45E-60	60	69	10 3/4	11 1/4	21 1/2	53 1/2	53 15/16	1/2	26 1/16	26 3/8	71 1/2	9 1/2	12	3/4	243	260
	E6-45E-72	E7-45E-72	72	81	11 1/2	12	25 1/2	63 1/8	63 9/16	1/2	29 5/8	29 15/16	83 1/2	9 1/2	12	3/4	280	299
	E6-45E-84	E7-45E-84	84	93	11 3/4	12 1/4	29 1/2	72 13/16	73 1/4	1/2	32 3/4	33 1/16	95 1/2	12	14	3/4	316	337
	E6-45E-96	E7-45E-96	96	105	11 3/4	12 1/4	33 1/2	82 1/4	82 11/16	1/2	35 9/16	35 7/8	107 1/2	12	14	3/4	350	374

RUBBER CUSHION IMPACT TROUGHING IDLER- 6" & 7" DIAMETER



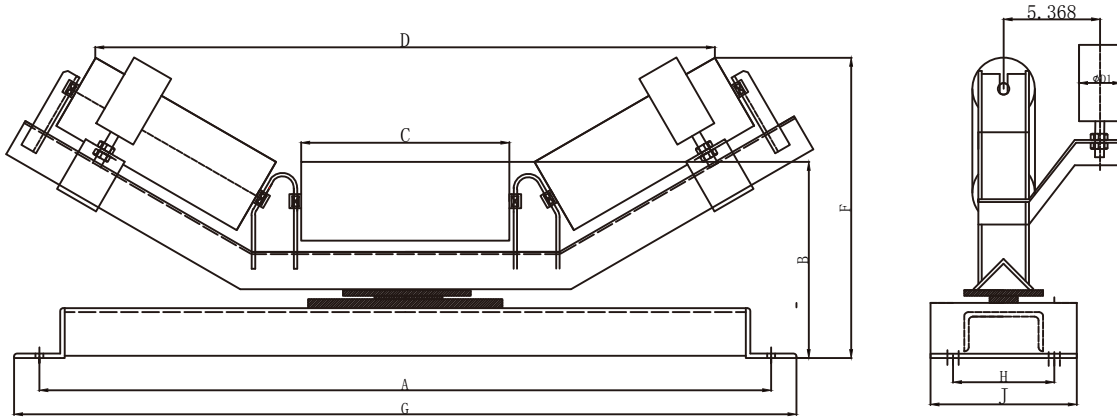
	PART NUMBER		BW	A	B		C	D	E	F		G	H	J	K	WT	
	6"	7"			6"	7"				6"	7"					6"	7"
20°	E6-20EI-36	E7-20EI-36	36	45	10 3/4	11 1/4	13 1/16	41	1/2	15 3/8	15 11/16	47 1/2	9 1/2	12	3/4	148	163
	E6-20EI-42	E7-20EI-42	42	51	10 3/4	11 1/4	15 1/16	46 3/4	1/2	16 3/16	16 1/2	53 1/2	9 1/2	12	3/4	165	181
	E6-20EI-48	E7-20EI-48	48	57	10 3/4	11 1/4	17 13/16	54 7/16	1/2	17	17 1/4	59 1/2	9 1/2	12	3/4	188	205
	E6-20EI-54	E7-20EI-54	54	63	10 3/4	11 1/4	19 13/16	60 1/4	1/2	17 5/8	17 15/16	65 1/2	9 1/2	12	3/4	204	222
	E6-20EI-60	E7-20EI-60	60	69	10 3/4	11 1/4	21 13/16	66 3/16	1/2	18 3/8	18 11/16	71 1/2	9 1/2	12	3/4	220	240
	E6-20EI-72	E7-20EI-72	72	81	11 1/2	12	25 13/16	77 1/2	1/2	20 7/16	20 3/4	83 1/2	9 1/2	12	3/4	255	277
	E6-20EI-84	E7-20EI-84	84	93	11 3/4	12 1/4	29 13/16	89 3/16	1/2	22 1/16	22 3/8	95 1/2	12	14	3/4	288	313
	E6-20EI-96	E7-20EI-96	96	105	11 3/4	12 1/4	33 13/16	100 3/4	1/2	23 7/16	23 3/4	107 1/2	12	14	3/4	321	349
35°	E6-35EI-36	E7-35EI-36	36	45	10 3/4	11 1/4	13 1/16	37 1/8	1/2	18 1/4	18 9/16	47 1/2	9 1/2	12	3/4	155	168
	E6-35EI-42	E7-35EI-42	42	51	10 3/4	11 1/4	15 1/16	42 7/16	1/2	19 3/8	19 11/16	53 1/2	9 1/2	12	3/4	171	187
	E6-35EI-48	E7-35EI-48	48	57	10 3/4	11 1/4	17 13/16	49 11/16	1/2	21	21 5/16	59 1/2	9 1/2	12	3/4	194	212
	E6-35EI-54	E7-35EI-54	54	63	10 3/4	11 1/4	19 13/16	55	1/2	22 1/8	22 7/16	65 1/2	9 1/2	12	3/4	211	230
	E6-35EI-60	E7-35EI-60	60	69	10 3/4	11 1/4	21 13/16	60 1/4	1/2	23 1/4	23 9/16	71 1/2	9 1/2	12	3/4	228	248
	E6-35EI-72	E7-35EI-72	72	81	11 1/2	12	25 13/16	70 3/4	1/2	26 3/16	26 1/2	83 1/2	9 1/2	12	3/4	264	286
	E6-35EI-84	E7-35EI-84	84	93	11 3/4	12 1/4	29 13/16	81 15/16	1/2	29 1/16	29 3/8	95 1/2	12	14	3/4	298	323
	E6-35EI-96	E7-35EI-96	96	105	11 3/4	12 1/4	33 13/16	91 7/8	1/2	31 1/8	31 7/16	107 1/2	12	14	3/4	332	360
45°	E6-45EI-36	E7-45EI-36	36	45	10 3/4	10 3/4	13 1/16	33 7/8	1/2	19 7/8	20 3/16	47 1/2	9 1/2	12	3/4	158	173
	E6-45EI-42	E7-45EI-42	42	51	10 3/4	10 3/4	15 1/16	38 2/3	1/2	21 5/16	21 5/8	53 1/2	9 1/2	12	3/4	166	192
	E6-45EI-48	E7-45EI-48	48	57	10 3/4	10 3/4	17 13/16	45 5/16	1/2	23 1/4	23 9/16	59 1/2	9 1/2	12	3/4	200	218
	E6-45EI-54	E7-45EI-54	54	63	10 3/4	10 3/4	19 13/16	50 1/8	1/2	24 5/8	24 15/16	65 1/2	9 1/2	12	3/4	217	236
	E6-45EI-60	E7-45EI-60	60	69	10 3/4	10 3/4	21 13/16	55	1/2	26 1/16	26 3/8	71 1/2	9 1/2	12	3/4	234	254
	E6-45EI-72	E7-45EI-72	72	81	11 1/2	11 1/2	25 13/16	64 5/8	1/2	29 5/8	29 15/16	83 1/2	9 1/2	12	3/4	271	293
	E6-45EI-84	E7-45EI-84	84	93	11 3/4	11 3/4	29 13/16	74 5/16	1/2	32 3/4	33 1/16	95 1/2	12	14	3/4	307	331
	E6-45EI-96	E7-45EI-96	96	105	11 3/4	11 3/4	33 13/16	83 3/4	1/2	35 9/16	35 7/8	107 1/2	12	14	3/4	341	368

6" & 7" DIAMETER - RUBBER CUSHION RETURN IDLERS



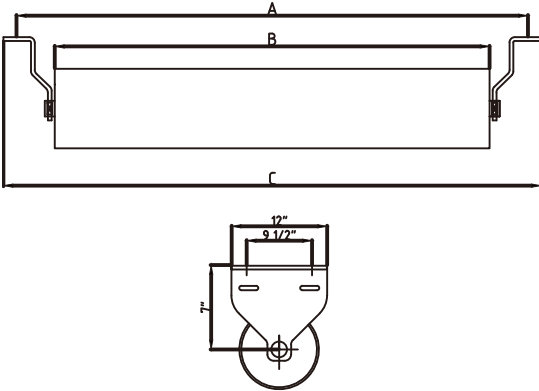
6" PART NUMBER	7" PART NUMBER	BW	A	B	C	WT	
						6"	7"
E6-RETI-36	E7-RETI-36	36	45	38 5/16	48	73	81
E6-RETI-42	E7-RETI-42	42	51	44 5/16	54	83	92
E6-RETI-48	E7-RETI-48	48	57	50 5/16	60	95	100
E6-RETI-54	E7-RETI-54	54	63	56 5/16	66	103	112
E6-RETI-60	E7-RETI-60	60	69	62 5/16	72	112	124
E6-RETI-72	E7-RETI-72	72	81	74 5/16	84	130	145
E6-RETI-84	E7-RETI-84	84	93	86 5/16	96	150	165
E6-RETI-96	E7-RETI-96	96	105	98 5/16	108	168	184

SELF-ALIGNING TROUGHING IDLER- 6" & 7" DIAMETER



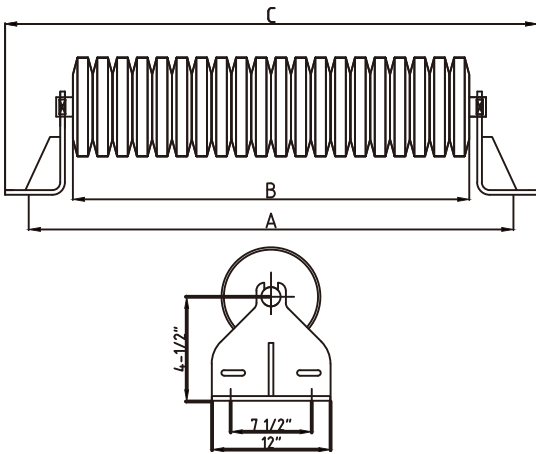
	PART NUMBER		BW	A	B		C	D	E	F		G	H	J	K	WT	
	6"	7"			6"	7"				6"	7"					6"	7"
20°	E6-20EA-36	E7-20EA-36	36	45	9 7/8	12 3/8	12 3/4	21 5/16	30 5/8	12 5/16	16 13/16	28 7/8	9 1/2	11 1/2	5/8	240	251
	E6-20EA-42	E7-20EA-42	42	51	9 7/8	12 3/8	14 3/4	27 1/16	36 3/8	13	17 1/8	34 7/8	9 1/2	11 1/2	5/8	266	279
	E6-20EA-48	E7-20EA-48	48	57	9 15/16	12 3/8	17 1/2	32 13/16	42 3/16	13 3/4	18 3/8	40 7/8	9 1/2	11 1/2	5/8	291	306
	E6-20EA-54	E7-20EA-54	54	63	9 15/16	12 3/8	19 1/2	38 9/16	47 15/16	14 7/16	19 1/16	46 7/8	9 1/2	11 1/2	5/8	315	331
	E6-20EA-60	E7-20EA-60	60	69	10 5/16	12 3/8	21 1/2	44 5/16	53 15/16	15 1/2	19 3/16	52 7/8	9 1/2	11 1/2	5/8	339	356
	E6-20EA-72	E7-20EA-72	72	81	10 5/16	13 1/8	25 1/2	50 1/16	59 1/16	16 3/16	21 7/8	58 7/8	9 1/2	11 1/2	5/8	384	403
	E6-20EA-84	E7-20EA-84	84	93	10 7/16	13 1/8	29 1/2	55 13/16	65 7/16	17	23 1/2	64 7/8	12	11 1/2	5/8	432	454
	E6-20EA-96	E7-20EA-96	96	105	10 7/16	13 1/8	33 1/2	61 9/16	71 3/16	17 11/16	24 7/8	70 7/8	12	11 1/2	5/8	476	500
35°	E6-35EA-36	E7-35EA-36	36	45	9 7/8	12 3/8	12 3/4	55 3/16	1 9/16	14 1/16	19 11/16	28 7/8	9 1/2	11 1/2	5/8	245	256
	E6-35EA-42	E7-35EA-42	42	51	9 7/8	12 3/8	14 3/4	60 11/16	1 9/16	15 1/4	20 13/16	34 7/8	9 1/2	11 1/2	5/8	271	284
	E6-35EA-48	E7-35EA-48	48	57	9 15/16	12 3/8	17 1/2	67 7/8	1 9/16	16 7/16	22 7/16	40 7/8	9 1/2	11 1/2	5/8	296	311
	E6-35EA-54	E7-35EA-54	54	63	9 15/16	12 3/8	19 1/2	73 1/8	1 9/16	17 9/16	23 9/16	46 7/8	9 1/2	11 1/2	5/8	320	336
	E6-35EA-60	E7-35EA-60	60	69	10 5/16	12 3/8	21 1/2	78 7/16	1 9/16	19 1/16	24 11/16	52 7/8	9 1/2	11 1/2	5/8	344	361
	E6-35EA-72	E7-35EA-72	72	81	10 5/16	13 1/8	25 1/2	88 7/16	1 9/16	20 1/4	27 5/8	58 7/8	9 1/2	11 1/2	5/8	390	409
	E6-35EA-84	E7-35EA-84	84	93	10 7/16	13 1/8	29 1/2	99 1/2	1 9/16	21 1/2	30 1/2	64 7/8	12	11 1/2	5/8	438	460
	E6-35EA-96	E7-35EA-96	96	105	10 7/16	13 1/8	33 1/2	110 1/16	1 9/16	22 11/16	32 9/16	70 7/8	12	11 1/2	5/8	482	506
45°	E6-45EA-36	E7-45EA-36	36	45	9 7/8	12 3/8	12 3/4	57 3/8	1 9/16	14 7/8	21 5/16	28 7/8	9 1/2	11 1/2	5/8	250	261
	E6-45EA-42	E7-45EA-42	42	51	9 7/8	12 3/8	14 3/4	62 1/4	1 9/16	16 5/16	22 3/4	34 7/8	9 1/2	11 1/2	5/8	276	289
	E6-45EA-48	E7-45EA-48	48	57	9 15/16	12 3/8	17 1/2	68 7/8	1 9/16	17 3/4	24 11/16	40 7/8	9 1/2	11 1/2	5/8	301	316
	E6-45EA-54	E7-45EA-54	54	63	9 15/16	12 3/8	19 1/2	73 11/16	1 9/16	19 1/8	26 1/16	46 7/8	9 1/2	11 1/2	5/8	325	341
	E6-45EA-60	E7-45EA-60	60	69	10 5/16	12 3/8	21 1/2	78 1/2	1 9/16	20 15/16	27 1/2	52 7/8	9 1/2	11 1/2	5/8	349	366
	E6-45EA-72	E7-45EA-72	72	81	10 5/16	13 1/8	25 1/2	88 3/16	1 9/16	22 3/8	31 1/16	58 7/8	9 1/2	11 1/2	5/8	396	415
	E6-45EA-84	E7-45EA-84	84	93	10 7/16	13 1/8	29 1/2	97 13/16	1 9/16	23 7/8	34 3/16	64 7/8	12	11 1/2	5/8	445	467
	E6-45EA-96	E7-45EA-96	96	105	10 7/16	13 1/8	33 1/2	104 7/8	1 9/16	25 5/16	37	70 7/8	12	11 1/2	5/8	482	506

RETURN IDLERS - 6" & 7" DIAMETER



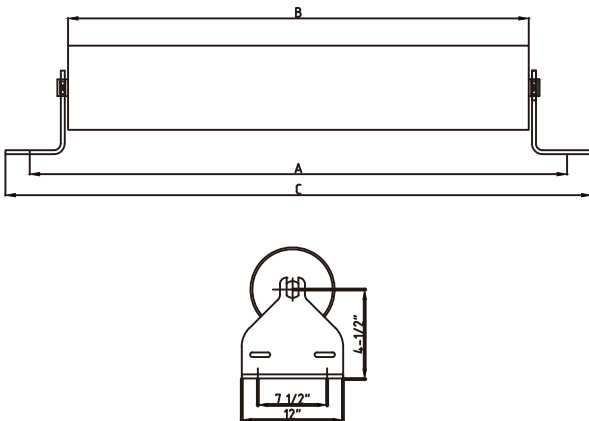
6" PART NUMBER	7" PART NUMBER	BW	A	B	C	WT*	
						6"	7"
E6-RET-36	E7-RET-36	36	45	39	48	103	103
E6-RET-42	E7-RET-42	42	51	45	54	116	116
E6-RET-48	E7-RET-48	48	57	51	60	129	129
E6-RET-54	E7-RET-54	54	63	57	66	132	132
E6-RET-60	E7-RET-60	60	69	63	72	145	145
E6-RET-72	E7-RET-72	72	81	75	84	171	171
E6-RET-84	E7-RET-84	84	93	87	96	197	197
E6-RET-96	E7-RET-96	96	105	99	108	223	223

RUBBER CUSHION FLAT IDLERS - 6" & 7" DIAMETER



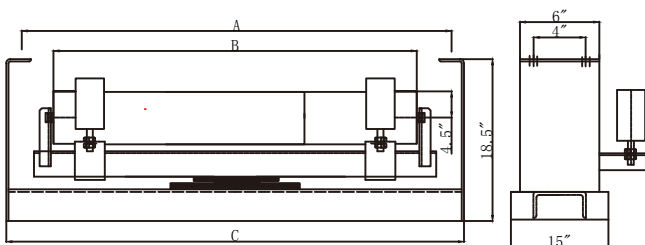
6" PART NUMBER	7" PART NUMBER	BW	A	B	C	WT*	
						6"	7"
E6-FLTI-36	E7-FLTI-36	36	45	38 5/16	47 1/2	81	93
E6-FLTI-42	E7-FLTI-42	42	51	44 5/16	53 1/2	93	107
E6-FLTI-48	E7-FLTI-48	48	57	50 5/16 56	59 1/2	104	120
E6-FLTI-54	E7-FLTI-54	54	63	56 5/16 56	65 1/2	116	134
E6-FLTI-60	E7-FLTI-60	60	69	62 5/16	71 1/2	128	148
E6-FLTI-72	E7-FLTI-72	72	81	74 5/16	83 1/2	151	175
E6-FLTI-84	E7-FLTI-84	84	93	86 5/16	95 1/2	175	202
E6-FLTI-96	E7-FLTI-96	96	105	98 5/16	107 1/2	198	229

FLAT IDLERS - 6" & 7" DIAMETER



6" PART NUMBER	7" PART NUMBER	BW	A	B	C	WT*	
						6"	7"
E6-FLT-36	E7-FLT-36	36	45	39	47 1/2	83	103
E6-FLT-42	E7-FLT-42	42	51	45	53 1/2	95	116
E6-FLT-48	E7-FLT-48	48	57	51	59 1/2	107	129
E6-FLT-54	E7-FLT-54	54	63	57	65 1/2	118	132
E6-FLT-60	E7-FLT-60	60	69	63	71 1/2	130	145
E6-FLT-72	E7-FLT-72	72	81	75	83 1/2	154	171
E6-FLT-84	E7-FLT-84	84	93	87	95 1/2	177	197
E6-FLT-96	E7-FLT-96	96	105	99	107 1/2	200	223

RETURN ALIGNING IDLERS - 6" & 7" DIAMETER



6" PART NUMBER	7" PART NUMBER	BW	A	B	C	D	WT*	
							6"	7"
E6-RETA-36	E7-RETA-36	36	45	39	48 1/2	40 5/8	246	270
E6-RETA-42	E7-RETA-42	42	51	45	54 1/2	46 5/8	269	290
E6-RETA-48	E7-RETA-48	48	57	51	60 1/2	52 5/8	292	314
E6-RETA-54	E7-RETA-54	54	63	57	66 1/2	58 5/8	314	328
E6-RETA-60	E7-RETA-60	60	69	63	72 1/2	64 5/8	337	352
E6-RETA-72	E7-RETA-72	72	81	75	84 1/2	76 5/8	383	400
E6-RETA-84	E7-RETA-84	84	93	87	96 1/2	88 5/8	428	448
E6-RETA-96	E7-RETA-96	96	105	99	108 1/2	100 5/8	473	496

CEMA B & CEMA C Replacement Idler Rollers

CEMA B REPLACEMENT IDLER ROLLERS:

	Belt Width	Assuembled Roll Approx. Length	4" Dia.Roll Part Number	Weight	5" Dia Roll Part Number	Weight
Equal Length Idler Rolls	14 & 16	6 1/16	B4-14	4	B5-14	6
	18	7 1/16	B4-18	5	B5-18	7
	20	7 11/16	B4-20	5	B5-20	7
	24	9 1/16	B4-24	6	B5-24	8
	30	11 1/16	B4-30	7	B5-30	10
	36	13 1/16	B4-36	8	B5-36	11
	42	15 1/16	B4-42	9	B5-42	13
	48	17 1/16	B4-48	11	B5-48	14
Rubber Impact Idler Rolls	18	7 1/16	B4-EI-18	6	B5-EI-18	9
	20	7 11/16	B4-EI-20	7	B5-EI-20	10
	24	9 1/16	B4-EI-24	8	B5-EI-24	11
	30	11 1/16	B4-EI-30	10	B5-EI-30	13
	36	13 1/16	B4-EI-36	12	B5-EI-36	16
	42	15 1/16	B4-EI-42	14	B5-EI-42	18
	48	17 1/16	B4-EI-48	18	B5-EI-48	21

CEMA C REPLACEMENT IDLER ROLLERS:

	Belt Width	Assuembled Roll Approx. Length	4" Dia.Roll Part Number	Weight	5" Dia Roll Part Number	Weight	6" Dia Roll Part Number	Weight
Equal Length Idler Rolls	18	7 1/16	C4-18	6	C5-18	8	C6-18	9
	24	9 1/16	C4-24	7	C5-24	9	C6-24	11
	30	11 1/16	C4-30	8	C5-30	11	C6-30	12
	36	13 1/16	C4-36	9	C5-36	12	C6-36	13
	42	15 1/16	C4-42	10	C5-42	13	C6-42	15
	48	17 1/16	C4-48	11	C5-48	15	C6-48	17
	54	19 1/16	C4-54	12	C5-54	16	C6-54	19
	60	21 1/16	C4-60	13	C5-60	18	C6-60	21
Rubber Impact Idler Rolls	18	7 1/16	C4-EI-18	8	C5-EI-18	10	C6-EI-18	12
	24	9 1/16	C4-EI-24	10	C5-EI-24	12	C6-EI-24	15
	30	11 1/16	C4-EI-30	12	C5-EI-30	14	C6-EI-30	17
	36	13 1/16	C4-EI-36	14	C5-EI-36	16	C6-EI-36	19
	42	15 1/16	C4-EI-42	17	C5-EI-42	19	C6-EI-42	22
	48	17 1/16	C4-EI-48	19	C5-EI-48	21	C6-EI-48	26
	54	19 1/16	C4-EI-54	21	C5-EI-54	24	C6-EI-54	27
	60	21 1/16	C4-EI-60	24	C5-EI-60	26	C6-EI-60	28

CEMA D REPLACEMENT IDLER ROLLS

	Belt Width	Assuembled Roll Approx. Length	5" Dia.Roll Part Number	Weight	6" Dia Roll Part Number	Weight
Equal Length Idler Rolls	18	7 1/16	D5-18	8	D6-18	9
	24	9 1/16	D5-24	9	D6-24	11
	30	11 1/16	D5-30	11	D6-30	12
	36	13 1/16	D5-36	12	D6-36	13
	42	15 1/16	D5-42	13	D6-42	15
	48	17 1/16	D5-48	15	D6-48	17
	54	19 1/16	D5-54	16	D6-54	19
	60	21 1/16	D5-60	18	D6-60	21
Rubber Impact Idler Rolls	72	25 1/16	D5-72	23	D6-72	27
	18	7 1/16	D5-EI-18	10	D6-EI-18	12
	24	9 1/16	D5-EI-24	12	D6-EI-24	15
	30	11 1/16	D5-EI-30	14	D6-EI-30	17
	36	13 1/16	D5-EI-36	16	D6-EI-36	19
	42	15 1/16	D5-EI-42	19	D6-EI-42	22
	48	17 1/16	D5-EI-48	21	D6-EI-48	26
	54	19 1/16	D5-EI-54	24	D6-EI-54	27
60	21 1/16	D5-EI-60	26	D6-EI-60	28	
72	25 1/16	D5-EI-72	31	D6-EI-72	34	

CEMA E REPLACEMENT IDLER ROLLS

	Belt Width	Assuembled Roll Approx. Length	6" Dia.Roll Part Number	Weight	7" Dia Roll Part Number	Weight
Equal Length Idler Rolls	36	12-3/4	E6-36	32	E7-36	36
	42	14-3/4	E6-42	36	E7-42	40
	48	17-1/2	E6-48	41	E7-48	46
	54	19-1/2	E6-54	45	E7-54	51
	60	21-1/2	E6-60	49	E7-60	55
	72	25-1/2	E6-72	57	E7-72	64
	84	29-1/2	E6-84	65	E7-84	72
	96	33-1/2	E6-96	73	E7-96	81
Rubber Impact Idler Rolls	36	12-3/4	E6-EI-36	29	E7-EI-36	33
	42	14-3/4	E6-EI-42	33	E7-EI-42	37
	48	17-1/2	E6-EI-48	39	E7-EI-48	44
	54	19-1/2	E6-EI-54	43	E7-EI-54	49
	60	21-1/2	E6-EI-60	47	E7-EI-60	53
	72	25-1/2	E6-EI-72	54	E7-EI-72	62
	84	29-1/2	E6-EI-84	62	E7-EI-84	71
	96	33-1/2	E6-EI-96	70	E7-EI-96	80

Hebei TongXiang Conveyor Machinery Co.,Ltd.

Add: No.8 Chuangye Road, Zaoqiang County, Hengshui City, Hebei Province,China 053000

Tel: +86-311-6656 0874 / 6656 0831

Mobile: +86-136 0321 6223

Email: sales@txroller.com

Website: www.txroller.com

