

DeZURIK KUL URETHANE LINED KNIFE GATE VALVES



Design and Construction

DeZURIK's KUL Urethane Lined Knife Gate Valves are designed for on-off applications of abrasive slurry and dry abrasive materials. Flanged Urethane Lined Knife Gate Valves are 100% port area and are ideally suited for applications in mining, chemical and food industries.

Flanged Urethane Lined Knife Gate Valves are available in sizes 2-48" (50-1200mm), and grooved end valves are available in sizes 2-12" (50-300mm). Temperature ratings range from -20 to 265° F (-29 to 130° C) as standard. The cast ductile iron body is available with a variety of urethane liner compounds suitable for water, oil, food grade, phosphoric acid, petroleum and high temperature service to 265° F (130° C).

KUL valves feature a one-piece, cast-in-place bonded liner that provides bi-directional, drip-tight shutoff to either 150 or 250 psi (1030 or 1720 kPa) CWP. Urethane Lined Knife Gate Valves can also provide bi-directional dead-end service to the full pressure rating of the valve. All wetted surfaces are lined with urethane.

Port Area

The round port design allows high flow capacity and minimum pressure drop. The inside port diameter of the flanged KUL is 100% ASME B36.10 for sizes 4 inch and larger. The inside diameter of the grooved end KUL conforms to valve standard MSS SP-81 for size 4" and larger.



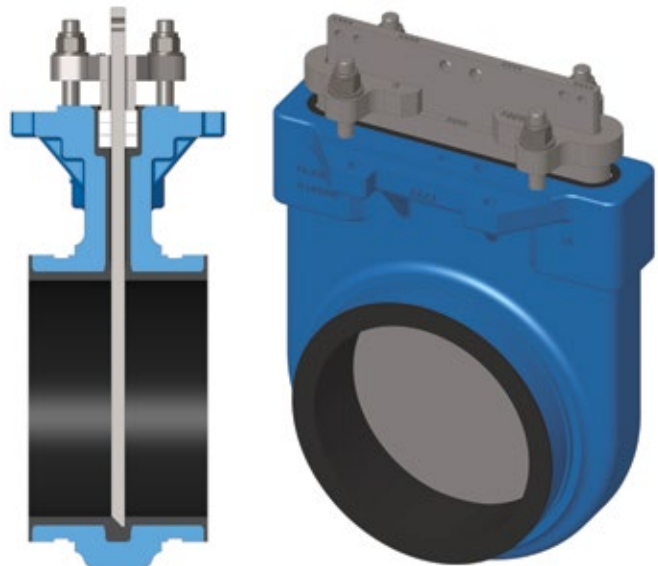
One-Piece, Bonded Urethane Liner

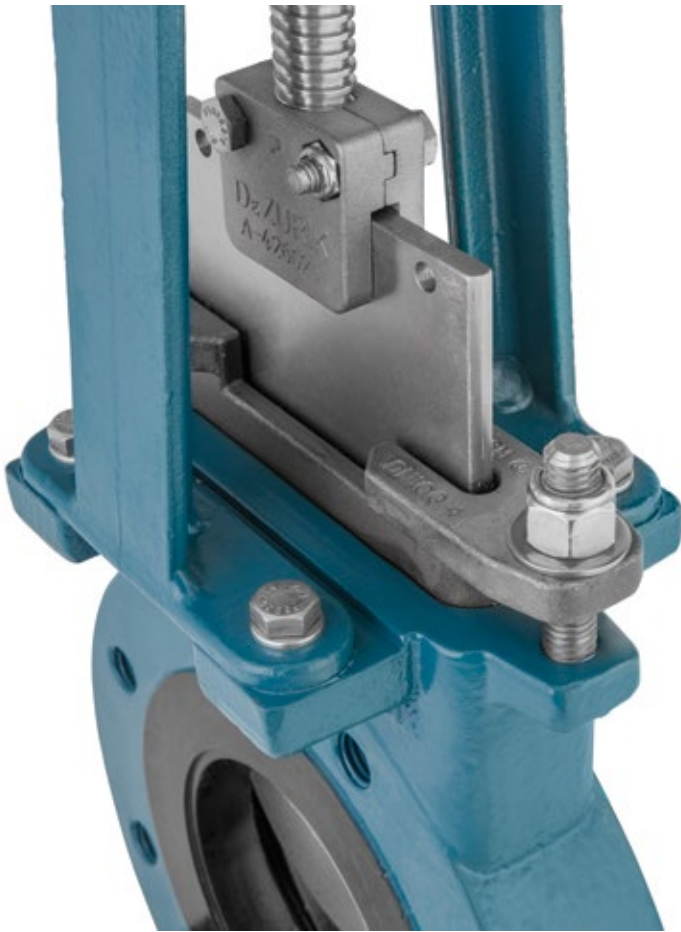
The urethane liner is bonded in place to form a continuous liner throughout the entire body, chest, packing chamber and flange face area. The bonding process enhances the mechanical and abrasion resistance properties of the urethane, which creates a robust seat seal in harsh slurry services. The seamless bonded urethane liner extends over the flange face to serve as the valve's flange gasket. No additional gaskets are required.



Flanged or Grooved End Connections

ASME flange drilling conforms to ASME B16.1 Class 125 and ASME B16.5 Class 150. Grooved end connections conform to ANSI/AWWA C606.





Exclusive Rounded Gate

A durable gate resists damage and allows higher pressure drops. Gate material options include stainless steels, including duplex and heat-treated stainless steel, and Hastelloy C. The gate is finish ground on all sides and edges to insure long packing and seat life. To increase packing life and provide a superior seal, the gate edges are rounded. The gate includes a knife-like bevel that pushes aside or cuts through thick slurries or solids in the flow. A high strength investment cast gate clip complements KUL's robust construction.

Stainless Steel Stem

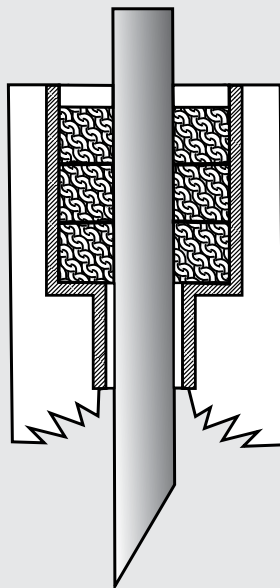
All valves are furnished with a stainless steel stem as standard for extra corrosion resistance, long life and easy operation. The stem has single-lead threads to minimize wear and reduce operating torque requirements of the valve.

No Discharge to Atmosphere

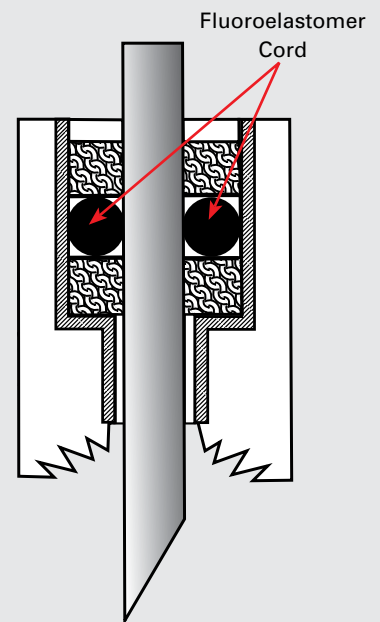
The KUL knife gate valve is an enclosed design which keeps all process media contained within the pipeline. When the KUL valve is actuated, it slices through the media or slurry and does not allow any discharge to atmosphere, unlike a push-through design which allows process media to discharge into the environment.

Reliable Long-Life Packing

Multiple packing material options ensure a tight seal with a minimum of packing gland pressure. Three rings of packing and a smooth uniform urethane lined chamber assure a tight seal.



SMP
PTFE Square Braided Packing



FGP
Food Grade Service

ASP
Self-adjusting PTFE Braided Packing with Fluoroelastomer Cord

TDP
Dry Service, Dry PTFE Braided Packing with Solid PTFE Cord

Choice of Actuators

The DeZURIK KUL Urethane Lined Knife Gate Valve is offered with a choice of handwheel, chainwheel, bevel gear, pneumatic or hydraulic cylinder, or electric motor actuators.

Corrosion Resistant Yoke Sleeve

A bronze yoke sleeve provides corrosion resistance and assures easy operation. An added grease fitting provides lubricant to the stem thread and yoke sleeve.

Heavy-Duty Superstructure

The standard actuator superstructure is available in carbon steel or stainless steel and is designed to stand up under the most difficult operating conditions. For valves mounted in horizontal installations, strengthened actuator legs are available.

Accessories

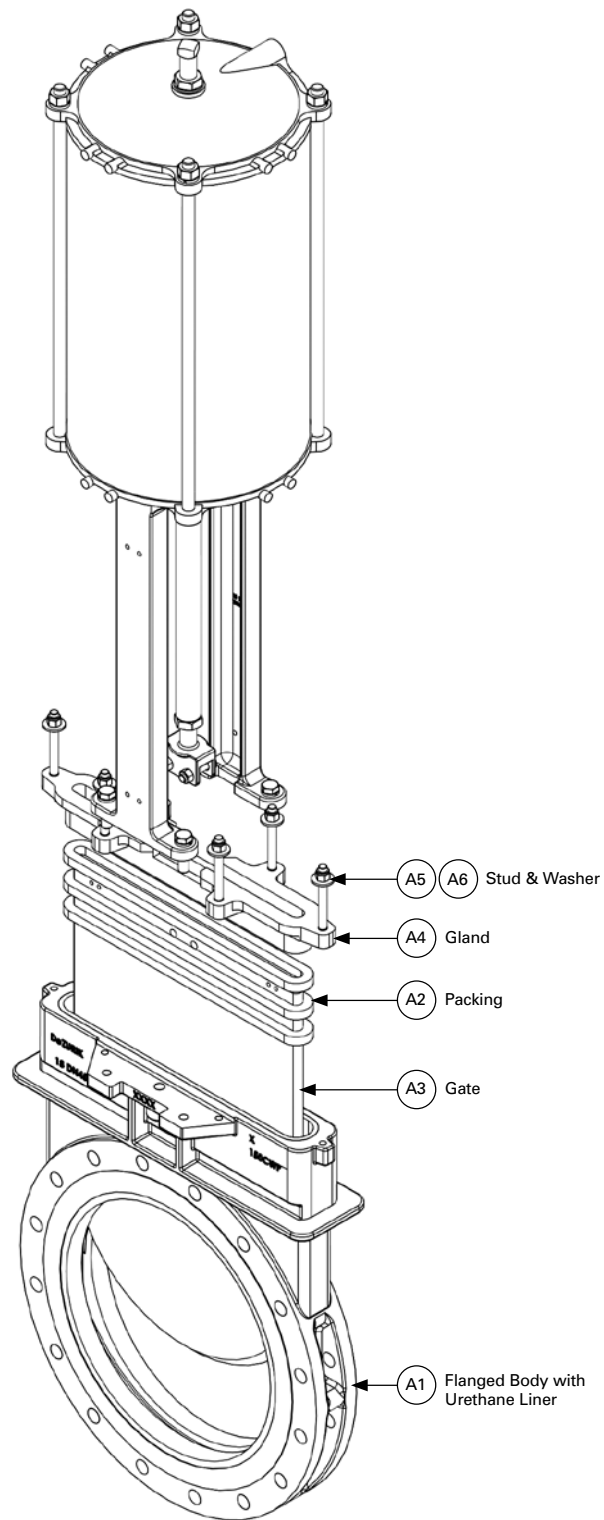
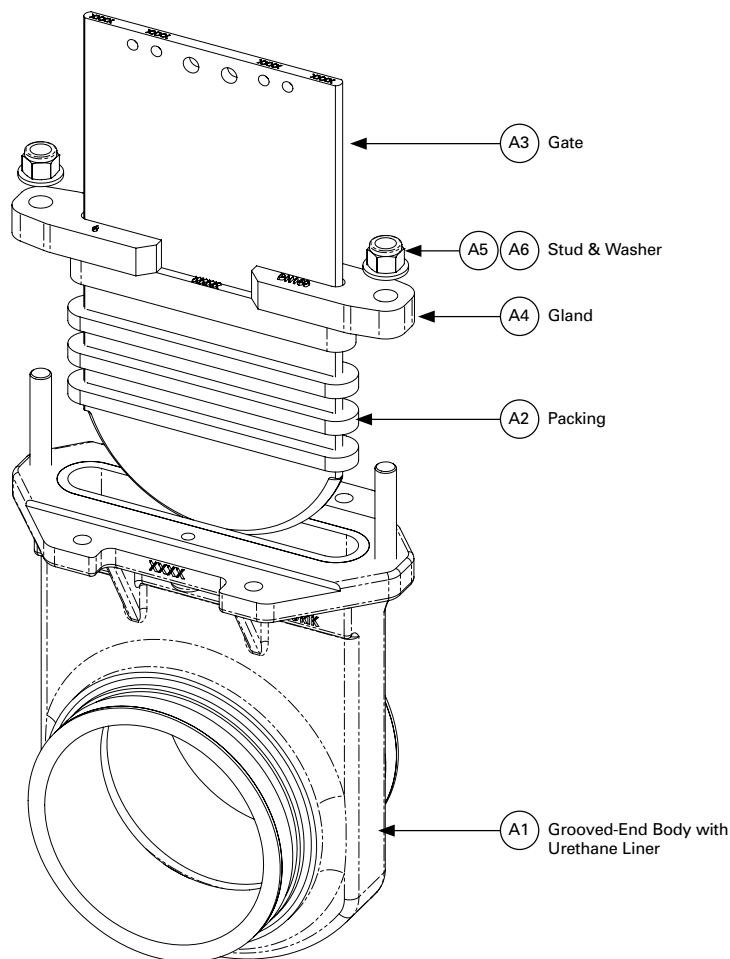
A wide variety of accessories are available including handwheel extensions, floorstands, lockouts and various cylinder actuator accessories for customizing the valve/actuator package to meet specific application requirements.



Ten 10" (250mm) DeZURIK KUL Urethane Lined Knife Gate Valves are installed in a hydrocyclone nest at a copper mine. These valves lasted two times longer than the competitor's valves in this service.

Materials of Construction

Item	Description	Material
A1	Body	Ductile Iron, ASTM A395, Grade 65-45-15 with Urethane Liner
A2	Packing	SMP - PTFE Square Braided Packing to 500°F (260°C) (pH Range 0-14)
		ASP - Self-Adjusting PTFE Braided Packing with Fluoroelastomer Cord to 400°F (204°C) (pH Range 0-14)
		TDP - Dry Service, Dry PTFE Braided Packing with Solid PTFE Cord to 500°F (260°C) (pH Range 0-14)
		FGP - Food Grade Service to 450°F (232°C) (pH Range 3-11)
A3	Gate	304 Stainless Steel, ASTM A240
		316 Stainless Steel, ASTM A240
		17-4 Stainless Steel H900 Heat Treated, ASTM A564, Type 630 Condition H900
		254-SMO Stainless Steel, ASTM A240 S31254
		410 Stainless Steel, ASTM A240
		2205 Duplex Stainless Steel, ASTM A240 S31803 or S32205
A4	Gland	316 Stainless Steel, ASTM A351, Type CF-8M
A5	Stud	Stainless Steel 18-8 or 304
A6	Washer	Stainless Steel 18-8 or 304



Valve Selection

Flow Parameters, Flanged Valves

Valve Size	Cv* Kv* 100% Open	K** (resistance)	Port Area (in ² /cm ²)
2" 50mm	300 260	0.16	3 20
2.5" 65mm	470 406	0.16	5 32
3" 80mm	675 584	0.16	7 45
4" 100mm	1200 1040	0.16	12 81
5" 125mm	1900 1640	0.16	19 126
6" 150mm	2700 2340	0.16	28 182
8" 200mm	4800 4200	0.16	50 324
10" 250mm	7500 6500	0.16	78 506
12" 300mm	10800 9300	0.16	113 729

Valve Size	Cv* Kv* 100% Open	K** (resistance)	Port Area (in ² /cm ²)
14" 350mm	13200 11400	0.16	137 889
16" 400mm	17400 15100	0.16	182 1178
18" 450mm	22300 19300	0.16	233 1507
20" 500mm	27800 24000	0.16	291 1877
24" 600mm	40500 35000	0.16	424 2739
30" 750mm	64000 55400	0.16	672 4335
36" 900mm	93000 80400	0.16	975 6296
42" 1050mm	126000 109000	0.16	1336 8621
48" 1200mm	165000 142700	0.16	1753 11312

Flow Parameters, Grooved End Valves

Valve Size	Cv* Kv* 100% Open	K** (resistance)	Port Area (in ² /cm ²)
2" 50mm	220 190	0.44	2.4 16
3" 80mm	530 460	0.36	6 38
4" 100mm	1005 870	0.30	11 69
5" 125mm	1640 1415	0.24	17 110
6" 150mm	2425 2100	0.17	26 168
8" 200mm	3855 3370	0.35	40 259
10" 250mm	6390 540	0.27	67 434
12" 300mm	9490 8175	0.24	99 641

*Cv = Flow in GPM of water at 1 psi pressure drop.
 Kv = Flow in m³/hr. of water at 100 kPa pressure drop.
 ** K = The resistance coefficient of the valve.
 The constant (K) can be used to determine the equivalent length of pipe.

$$L = \frac{K \cdot D}{f} \text{ Where}$$

- L = Equivalent length of pipe in feet
- K = Resistance coefficient
- D = Pipe diameter in feet
- f = Friction factor, related to type of pipe

Applicable Standards

DeZURIK KUL Knife Gate Valves are designed and/or tested to meet the following standards:	
ASME B16.1 (ASA B16.1) 8-24" (200-600mm)	Flanged valves conform to Cast Iron Pipe Flanges and Flanged Fittings, 125 lbs. Conforms to related flange drilling dimensions.
ASME B16.42	Flanged valves conform to Class 150. Conforms to minimum wall thickness 2-24" sizes.
ASME B16.47	Flanged valves conform to Large Diameter Steel Flanges. Series A. 30-48" (750-1200mm) sizes conform to related dimensions.
ASME B16.5 2-6" (50-150mm)	Flanged valves conform to Carbon Steel Flanges and Flanged Fittings, 150 lbs. Conforms to related flange drilling dimensions.
ASME B31.3	Process piping, conforms to allowable stresses and minimum temperature
ANSI/AWWA C606	Grooved Ends conform to standard for Grooved and Shouldered Joints.
International Standards	Flanged valves conform to flanged bolt guides and pressure ratings JIS 10; DIN 10 and DIN 16; ISO 7005-1/PN 10 and 7005-2/PN 16; BS 4504/ PN16; AS2129 table D and E; SANS 1123-1000 and SANS 1123-1600.
MSS SP-81	Flanged valves conform to face-to-face dimensions and pressure rating. 2-24" (50-600mm).
MSS SP-151	Pressure testing of knife gate valves.
SIL	Valves with pneumatic or hydraulic actuators meet IEC 61508SIL3 safety integrity level.

Valve Weights*

Flanged Valves with Manual Actuators

Valve Size	Basic Valve	With Handwheel	With Chainwheel	With Bevel Gear Handwheel		With Bevel Gear Chainwheel	
				Standard & 180°	90° & 270°	Standard & 180°	90° & 270°
2" 50mm	16 8	26 12	38 18	—	—	—	—
2.5" 65mm	22 10	33 15	45 22	—	—	—	—
3" 80mm	22 10	33 15	45 21	94 43	94 43	106 49	106 49
4" 100mm	29 14	43 20	54 25	103 47	103 47	112 51	112 51
5" 125mm	40 19	53 25	67 31	117 54	117 54	124 57	124 57
6" 150mm	45 21	64 30	78 36	122 56	122 56	129 59	129 59
8" 200mm	86 40	107 49	121 55	169 77	169 77	176 80	176 80
10" 250mm	122 56	144 66	178 81	215 98	215 98	223 102	223 102
12" 300mm	179 82	218 99	251 114	274 125	274 125	283 129	283 129
14" 350mm	203 93	267 122	282 128	335 152	385 175	338 154	386 176
16" 400mm	289 132	361 164	390 177	430 196	478 217	432 197	480 218
18" 450mm	397 181	—	—	551 250	599 272	551 250	559 272
20" 500mm	511 232	—	—	679 309	723 329	700 318	748 340
24" 600mm	783 356	—	—	969 440	1017 462	989 449	1037 471
30" 750mm	1563 710	—	—	1755 797	1853 841	1818 825	1915 869
36" 900mm	2440 1108	—	—	2643 1200	2740 1244	2705 1228	2803 1272
42" 1050mm	3929 1783	—	—	4321 1961	4464 2026	4378 1987	4522 2052
48" 1200mm	5449 2473	—	—	6003 2724	6205 2816	6060 2750	6204 2815

Valve Weights*

Flanged Valves with Cylinder Actuators

Valve Size	With Pneumatic Cylinder		With Hydraulic Cylinder	
	Size	Lbs / Kg	Size	Lbs / Kg
2" 50mm	PC4	31	HC1.5	41
		15		19
2.5" 65mm	PC4	31	HC1.5	53
		15		24
3" 80mm	PC4	31	HC1.5	53
		15		24
4" 100mm	PC4	50	HC2	66
	PC6	23		30
5" 125mm	PC4	61	HC2	78
	PC6	28		
6" 150mm	PC4	74	HC2	84
	PC6	34		
8" 200mm	PC4	69	HC2	84
	PC6	32		
10" 250mm	PC4	82	HC2	84
	PC6	38		
12" 300mm	PC4	91	HC2	84
	PC6	42		
14" 350mm	PC6	126	HC2	127
	PC8	58		58
16" 400mm	PC6	137	HC2.5	137
	PC8	63		62
18" 450mm	PC6	171	HC2.5	185
	PC8	79		84
20" 500mm	PC6	190	HC2.5	185
	PC8	87		84
24" 600mm	PC6	219	HC3.25	194
	PC8	100		88
28" 700mm	PC6	249	HC3.25	194
	PC8	113		88
32" 800mm	PC6	250	HC2	185
	PC8	114		84
36" 900mm	PC6	279	HC2.5	194
	PC8	127		88
40" 1000mm	PC6	309	HC4	286
	PC8	141		130
44" 1100mm	PC6	313	HC2	283
	PC8	143		128
48" 1200mm	PC6	343	HC2.5	285
	PC8	156		129
52" 1300mm	PC6	389	HC2.5	389
	PC8	176		176
56" 1400mm	PC6	439	HC3.25	412
	PC8	200		187
60" 1500mm	PC6	463	HC4	452
	PC8	211		205
64" 1600mm	PC6	562	HC2.5	515
	PC8	255		234
68" 1700mm	PC6	586	HC3.25	539
	PC8	266		244
72" 1800mm	PC6	1071	HC4	587
	PC8	486		266
76" 1900mm	PC6	691	HC2.5	657
	PC8	314		298
80" 2000mm	PC6	987	HC3.25	684
	PC8	448		310
84" 2100mm	PC6	1310	HC4	736
	PC8	595		334

Valve Size	With Pneumatic Cylinder		With Hydraulic Cylinder		
	Size	Lbs / Kg	Size	Lbs / Kg	
24" 600mm	PC12	964	HC3.5	1031	
	PC14	438		468	
	PC14	988	HC4	1035	
	PC16	449		469	
30" 750mm	PC16	1707	HC5	1148	
	PC18	775		521	
	36" 900mm	On Application		HC3.5	1934
		On Application		HC4	877
On Application		HC5	1981		
On Application		HC6	899		
42" 1050mm	On Application		HC5	2046	
	On Application		HC6	928	
48" 1200mm	On Application		HC5	2173	
	On Application		HC6	986	
52" 1300mm	On Application		HC5	3205	
	On Application		HC6	1454	
56" 1400mm	On Application		HC6	5185	
	On Application		HC7	2352	
60" 1500mm	On Application		HC7	7402	
	On Application		HC7	3357	

Grooved End Valves (Based on V7 Grooved End)

Valve Size	Basic Valve	With Handwheel	With Chainwheel	With Bevel Gear Handwheel		With Bevel Gear Chainwheel		With Pneumatic Cylinder		
				Standard & 180°	90° & 270°	Standard & 180°	90° & 270°	Size	Lbs	Kg
2" 50mm	11	21	33	N/A	N/A	N/A	N/A	4"	26	12
	5	10	15							
3" 80mm	17	28	40	89	89	101	101	4"	32	15
	8	13	18	40	40	46	46			
4" 100mm	27	41	52	101	101	110	110	4"	48	22
	12	19	24	46	46	50	50	6"	64	29
5" 125mm	37	50	64	114	114	121	121	4"	58	26
	17	23	29	52	52	55	55	6"	71	32
								8"	83	38
6" 150mm	44	63	77	121	121	128	128	4"	68	31
	20	29	35	55	55	58	58	6"	81	37
								8"	90	41
8" 200mm	77	94	108	156	156	163	163	6"	113	51
	35	43	49	71	71	74	74	8"	124	56
								10"	161	73
10" 250mm	140	162	196	233	233	241	241	8"	208	94
	64	73	89	106	106	109	109	10"	237	108
								12"	267	121
12" 300mm	184	223	256	279	279	288	288	8"	255	116
	83	101	116	127	127	131	131	10"	284	129
								12"	314	142

lbs. * Weights are approximate and do not include crating.
Kg.

Seat/Packing Options

Seat Characteristic	Description	Type	Color	Packing Options	Temperature Range
EU	Urethane, General Water Service	Polyether	Black	SMP, ASP, TDP	-20 to 175°F (-29 to 79°C)
AUCO	Urethane, Oil Service	Polyester	Clear	SMP, ASP, TDP	0 to 175°F (-18 to 79°C)
EUCW	Urethane, Water Service	Polyether	Clear	SMP, ASP, TDP	-20 to 210°F (-29 to 99°C)
AUFO	Urethane, Food Grade Oil Service	Polyester	White	FGP	-20 to 175°F (-29 to 79°C)
EUFW	Urethane, Food Grade Water Service	Polyether	White	FGP	-20 to 175°F (-29 to 79°C)
EUHT	Urethane, High Temp Service	Polyether	Red	SMP, ASP, TDP	-20 to 265°F (-29 to 129°C)
BRPA	Urethane, Phosphoric Acid Service	Polybutadiene	Green	SMP, ASP	5 to 200°F (-15 to 93°C)

NOTE: The limiting factor in valve selection is the lowest temperature component.

Shut-Off Capabilities

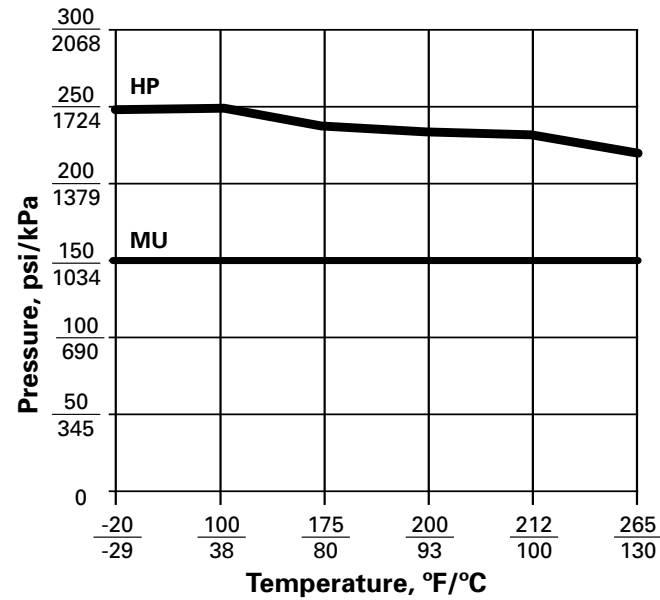
Urethane Seat	Bi-directional leak tight/zero leakage, good for dead-end service.
---------------	--

Pressure Ratings (Ambient Temperatures)

Valve Size	Direct Pressure	Reverse Pressure
2-48" (50-1200mm)	150 or 250 psi CWP 1035 or 1724 kPa CWP	150 or 250 psi CWP 1035 or 1724 kPa CWP

Pressure/Temperature Ratings*

NOTE: *Urethane compound temperature is the limiting factor in valve selection.



Ordering

To order, simply complete the valve order code from information shown. An ordering example is shown for your reference.

Valve Style

Give valve style code as follows:

KUL = Urethane Lined Knife Gate Valve

Valve Size

Give valve size code as follows:

2 = 2" (50mm)	14 = 14" (350mm)
2.5 = 2.5" (65mm)	16 = 16" (400mm)
3 = 3" (80mm)	18 = 18" (450mm)
4 = 4" (100mm)	20 = 20" (500mm)
5 = 5" (125mm)	24 = 24" (600mm)
6 = 6" (150mm)	30 = 30" (750mm)
8 = 8" (200mm)	36 = 36" (900mm)
10 = 10" (250mm)	42 = 42" (1050mm)
12 = 12" (300mm)	48 = 48" (1200mm)

Body Style

Give body style code as follows:

MU = Multi-use to 150 psi (1035 kPa)
 HP = High Pressure to 250 psi (1725 kPa) Must use S5 or S10 gate material.

End Connection

Give end connection code as follows:

F1 = ASME 150 UNC Tapping for Threads
 F110 = ISO 7005/PN10 Drilling*
 F116 = ISO 7005/PN16 Drilling
 F1DA = AS2129 Table D Drilling
 F1EA = AS2129 Table E Drilling
 F1T = ASME 150 Through Bolting
 F1S10 = SANS1123-1000*
 F1S16 = SANS1123-1600
 F1J1 = JIS 10 Drilling (2-36" except 12")
 V7 = Grooved Style 77, for Steel and other metallic pipe per AWWA C606-15, Table 4
 Not available on 2.5" (65mm) valve size
 VF = Grooved Style 31, Flexible joint for ductile iron pipe per AWWA C606-15, Table 2. Not available on 2", 2.5", 3" or 5" (50mm or 125mm) valve sizes
 VR = Grooved Style 31, Rigid joint for ductile iron pipe per AWWA C606-15, Table 3. Not available on 2", 2.5", 3" or 5" (50mm or 125mm) valve sizes

*For use with MU Body Style to 150 psi (1035 kpa) maximum.

Body Material

Give body material code as follows:

DI = Ductile Iron

Packing Material**

Give packing material code as follows:

SMP = PTFE Braided Packing to 500°F (260°C) (pH Range 0-14)
 ASP = Self-Adjusting PTFE Braided Packing with Fluoroelastomer Cord to 400° F (205° C) (pH Range 0-14)
 TDP = Dry Service, Dry PTFE Braided Packing with Solid PTFE Cord to 500°F (260°C) (pH Range: 0-14)
 FGP = Food Grade Service to 450°F (232°C) (pH Range: 3-11)
 Not for use in sanitary valve service

Gate Material

Give gate material code as follows:

S1 = 304 Stainless Steel (MU Body Style)
 S2 = 316 Stainless Steel (MU Body Style)
 S5 = 17-4 Stainless Steel H900 Heat Treated (MU or HP Body Style)
 S6 = 254-SMO Stainless Steel (MU Body Style)
 HC = Hastelloy C (MU Body Style)
 S8 = 410 Stainless Steel (MU Body Style)
 S10 = 2205 Duplex Stainless Steel (MU or HP Body Style)

Seat Material**

Give seat material code as follows:

EU = Polyether Urethane, Black, Water Service -20 to 175°F (-29 to 80°C)
 AUCO = Polyether Urethane, Clear, Oil Service 0 to 175°F (-18 to 80°C)
 EUCW = Polyether Urethane, Clear, Water Service -20 to 210°F (-29 to 100°C)
 AUFO = Polyester Urethane, White, Food Grade Oil Service -20 to 175°F (-29 to 80°C)
 EUFW = Polyether Urethane, White, Food Grade Water Service -20 to 175°F (-29 to 80°C)
 EUHT = Polyether Urethane, Red, High Temp Service -20 to 265°F (-29 to 130°C)
 BRPA = Polybutadiene Urethane, Green, Phosphoric Acid Service 5 to 200°F (-15 to 90°C)

Options

Give option code as follows:

CMC = Certificate of Material Conformance
 CRT = Certified Physical and Chemical Test Reports
 DTR = DeZURIK Standard Certified Production Hydrostatic Shell and Seat Test Report
 — = Optional Coating (contact DeZURIK)

Ordering Example:

KUL,6,MU,F1,DI,SMP,S1-EU*actuator

**NOTE: The urethane seat material temperature is the limiting factor in valve selection.

Manual Actuators

Handwheel and Chainwheel Actuators

All 2-16" (50-400mm) valves can be furnished with handwheel actuators or chainwheel actuators. To order handwheel or chainwheel actuators, add the appropriate order code to the basic valve order code. Refer to information on bevel gear actuators for use on dry solids, paper stock, slurries or when pressure exceeds limits shown. Order chain for chainwheel actuators as a separate item.

Handwheel Actuator

Valve Size	Order Code	Order Code	Maximum Pressure Differential psi/kPa
	Carbon Steel (CS) Yoke	304 SST (S1) Yoke	
2" & 2.5" 50mm & 65mm	MN-HD8-CS	MN-HD8-S1	250 1725
3" 80mm	MN-HD8-CS	MN-HD8-S1	250 1725
4" 100mm	MN-HD12-CS	MN-HD12-S1	250 1725
5" 125mm	MN-HD12-CS	MN-HD12-S1	150 1035
	MN-HD16-CS	MN-HD16-S1	250 1725
6" 150mm	MN-HD12-CS	MN-HD12-S1	150 1035
	MN-HD16-CS	MN-HD16-S1	250 1725
8" 200mm	MN-HD16-CS	MN-HD16-S1	250 1725
10" 250mm	MN-HD16-CS	MN-HD16-S1	150 1035
12" 300mm	MN-HD16-CS	MN-HD16-S1	150 1035
14" 350mm	MN-HD20-CS	MN-HD20-S1	100 690
16" 400mm	MN-HD20-CS	MN-HD20-S1	75 518

NOTE: The limiting factor in actuator selection is the lowest pressure rating of the valve or actuator.

Bevel gear actuators recommended for dry solids, paper stocks, slurries, or when pressure exceeds limits shown.

Ordering Example:

KUL,6,MU,F1,DI,SMP,S1-EU*MN-HD12-CS

Chainwheel Actuator

Valve Size	Order Code	Order Code	Maximum Pressure Differential psi/kPa
	Carbon Steel (CS) Yoke	304 SST (S1) Yoke	
2" & 2.5" 50mm & 65mm	MN-CW8-CS	MN-CW8-S1	250 1725
3" 80mm	MN-CW8-CS	MN-CW8-S1	250 1725
4" 100mm	MN-CW12-CS	MN-CW12-S1	250 1725
5" 125mm	MN-CW12-CS	MN-CW12-S1	150 1035
	MN-CW20-CS	MN-CW20-S1	250 1725
6" 150mm	MN-CW20-CS	MN-CW20-S1	250 1725
8" 200mm	MN-CW20-CS	MN-CW20-S1	150 1035
10" 250mm	MN-CW20-CS	MN-CW20-S1	100 690
12" 300mm	MN-CW20-CS	MN-CW20-S1	100 690
14" 350mm	MN-CW30-CS	MN-CW30-S1	150 1035
16" 400mm	MN-CW30-CS	MN-CW30-S1	100 690

NOTE: The limiting factor in actuator selection is the lowest pressure rating of the valve or actuator.

Bevel gear actuators recommended for dry solids, paper stocks, slurries, or when pressure exceeds limits shown.

Ordering Example:

KUL,6,MU,F1,DI,SMP,S1-EU*MN-CW20-CS

Nut Actuators

Nut actuators are available when the ENTS extension is ordered on Flanged Valves.

Nut Actuator

Valve Size	Order Code	Order Code	Maximum Pressure Differential psi/kPa
	Carbon Steel (CS) Yoke	304 SST (S1) Yoke	
2" & 2.5" 50mm & 65mm	MN-N-CS	MN-N-S1	250 1725
3" 80mm	MN-N-CS	MN-N-S1	250 1725
4" 100mm	MN-N-CS	MN-N-S1	250 1725
5" 125mm	MN-N-CS	MN-N-S1	250 1725
6" 150mm	MN-N-CS	MN-N-S1	250 1725
8" 200mm	MN-N-CS	MN-N-S1	250 1725
10" 250mm	MN-N-CS	MN-N-S1	250 1725

Valve Size	Order Code	Order Code	Maximum Pressure Differential psi/kPa
	Carbon Steel (CS) Yoke	304 SST (S1) Yoke	
12" 300mm	MN-N-CS*	MN-N-S1*	250 1725
14" 350mm	MN-N-CS*	MN-N-S1*	250 1725
16" 400mm	MN-N-CS*	MN-N-S1*	150 1035

NOTE: The limiting factor in Actuator Selection is the lowest pressure rating of the valve or actuator.

Bevel gear actuators recommended for dry solids, paper stock, slurries, or when pressure exceeds limits shown.

Ordering Example:

KUL,4,MU,F1,DI,SMP,S1-EU*MN-N-CS,ENTS

Manual Actuators

Bevel Gear Actuators

Bevel Gear Actuators are available on 2-48" (50-1200mm) valves with handwheel or chainwheel actuators. Bevel Gear Actuators provide vertical mounting of the handwheel or chainwheel, or can be used where space limitations prohibit the use of a standard handwheel or chainwheel. A mechanical advantage makes large valve operation easier and faster.

Bevel Gear Handwheel Actuators

Valve Size	Order Code	Order Code	Maximum Pressure Differential psi/kPa
	Carbon Steel (CS) Yoke	304 SST (S1) Yoke	
3" 80mm	MNB-HD12-CS	MNB-HD12-S1	250 1725
4" 100mm	MNB-HD12-CS	MNB-HD12-S1	250 1725
5" 125mm	MNB-HD12-CS	MNB-HD12-S1	250 1725
6" 150mm	MNB-HD12-CS	MNB-HD12-S1	250 1725
8" 200mm	MNB-HD12-CS	MNB-HD12-S1	250 1725
10" 250mm	MNB-HD12-CS	MNB-HD12-S1	150 1035
	MNB-HD16-CS	MNB-HD16-S1	250 1725
12" 300mm	MNB-HD12-CS	MNB-HD12-S1	150 1035
	MNB-HD16-CS	MNB-HD16-S1	250 1725
14" 350mm	MNB-HD12-CS	MNB-HD12-S1	150 1035
	MNB-HD16-CS	MNB-HD16-S1	250 1725
16" 400mm	MNB-HD16-CS	MNB-HD16-S1	150 1035
	MNB-HD24-CS	MNB-HD24-S1	250 1725
18" 450mm	MNB-HD24-CS	MNB-HD24-S1	150 1035
	MNB-HD30-CS	MNB-HD30-S1	250 1725
20" 500mm	MNB-HD24-CS	MNB-HD24-S1	150 1035
	MNB-HD36-CS	MNB-HD36-S1	250 1725
24" 600mm	MNB-HD24-CS	MNB-HD24-S1	250 1725
30" 750mm	MNB-HD24-CS	MNB-HD24-S1	250 1725
36" 900mm	MNB-HD24-CS	MNB-HD24-S1	250 1725
42" 1050mm	MNB-HD24-CS	MNB-HD24-S1	150 1035
	MNB-HD30-CS	MNB-HD30-S1	250 1725
48" 1200mm	MNB-HD24-CS	MNB-HD24-S1	150 1035
	MNB-HD30-CS	MNB-HD30-S1	250 1725

NOTE: The limiting factor in actuator selection is the lowest pressure rating of the valve or actuator.

Ordering Example:

KUL,6,MU,F1,DI,SMP,S1-EU*MNB-HD12-CS

For alternate mounting of bevel gear actuators, add -90, -180 or -270 after the actuator code and as 2nd line information on the order.

Bevel Gear Chainwheel Actuators

Valve Size	Order Code	Order Code	Maximum Pressure Differential psi/kPa
	Carbon Steel (CS) Yoke	304 SST (S1) Yoke	
3" 80mm	MNB-CW12-CS	MNB-CW12-S1	250 1725
4" 100mm	MNB-CW12-CS	MNB-CW12-S1	250 1725
5" 125mm	MNB-CW12-CS	MNB-CW12-S1	250 1725
6" 150mm	MNB-CW12-CS	MNB-CW12-S1	250 1725
8" 200mm	MNB-CW12-CS	MNB-CW12-S1	250 1725
10" 250mm	MNB-CW12-CS	MNB-CW12-S1	150 1035
	MNB-CW20-CS	MNB-CW20-S1	250 1725
12" 300mm	MNB-CW12-CS	MNB-CW12-S1	150 1035
	MNB-CW20-CS	MNB-CW20-S1	250 1725
14" 350mm	MNB-CW12-CS	MNB-CW12-S1	150 1035
	MNB-CW20-CS	MNB-CW20-S1	250 1725
16" 400mm	MNB-CW20-CS	MNB-CW20-S1	150 1035
	MNB-CW30-CS	MNB-CW30-S1	250 1725
18" 450mm	MNB-CW30-CS	MNB-CW30-S1	250 1725
20" 500mm	MNB-CW30-CS	MNB-CW30-S1	250 1725
24" 600mm	MNB-CW20-CS	MNB-CW20-S1	150 1035
	MNB-CW30-CS	MNB-CW30-S1	250 1725
30" 750mm	MNB-CW20-CS	MNB-CW20-S1	150 1035
	MNB-CW30-CS	MNB-CW30-S1	250 1725
36" 900mm	MNB-CW30-CS	MNB-CW30-S1	250 1725
42" & 48" 1050-1200mm	MNB-CW30-CS	MNB-CW30-S1	250 1725

NOTE: The limiting factor in actuator selection is the lowest pressure rating of the valve or actuator.

Ordering Example:

KUL,14,MU,F1,DI,SMP,S1-EU*MNB-CW12-CS-90

Actuator mounted at 90 degrees

Manual Actuator Accessories

Chain for Chainwheel Actuators

Order as a separate item by giving the correct code and specify required length of chain as second line information. One closing link is supplied with the chainwheel actuator.

Order Code	Description
ACC*CN102	Steel, Zinc Plated 3/16
ACC*CN103	Galvanized 3/16
ACC*CN106	316 Stainless Steel 3/16

Ordering Example:

ACC*CN102

Chain 12 feet long (366cm)

Lockout Device

Available on all sizes of handwheel and bevel gear handwheel actuated valves. To order, add a comma and the order code "LK" after the actuator code.

Ordering Example:

KUL,6,MU,F1,DI,SMP,S1-EU*MN-HD12-S1,LK

Extension for Handwheel or 2" Nut Extension

Provides extension of the handwheel or nut to allow remote operation – normally from above. The extension includes fittings and extension pipe with handwheel or nut mounted. To order, specify description and extension length from center line of valve to handwheel or nut.

Order Code	Description
ENHD	Extension for Handwheel
ENTS	Extension for Nut

Ordering Example:

KUL,6,MN,F1,DI,SMP,S1-EU*MN-N-S1,ENTS

Center line of valve to top of nut 72 inches (1829mm).

Cylinder Actuators

Double Acting Pneumatic Cylinder Actuators for on/off or positioning services are sized for supply pressures of 60 or 80 psi (410 or 550 kPa). To order, add the proper code from the table to the valve order code.

Pneumatic Actuator Sizing

60 psi (410 kPa) Air Supply

Valve Size	Order Code	Order Code	Maximum Pressure Differential psi/kPa	
			Dry Solids, Slurries, Paper Stock	Liquids & Gases
2" & 2.5" 50mm & 65mm	CY-PC4-CS	CY-PC4-S1	250 1725	250 1725
3" 80mm	CY-PC4-CS	CY-PC4-S1	250 1725	250 1725
4" 100mm	CY-PC4-CS	CY-PC4-S1	100 690	150 1035
	CY-PC6-CS	CY-PC6-S1	250 1725	250 1725
5" 125mm	CY-PC4-CS	CY-PC4-S1	N/A	50 345
	CY-PC6-CS	CY-PC6-S1	100 690	150 1035
	CY-PC8-CS	CY-PC8-S1	250 1725	250 1725
6" 150mm	CY-PC4-CS	CY-PC4-S1	N/A	50 345
	CY-PC6-CS	CY-PC6-S1	100 690	150 1035
	CY-PC8-CS	CY-PC8-S1	250 1725	250 1725
8" 200mm	CY-PC6-CS	CY-PC6-S1	100 690	150 1035
	CY-PC8-CS	CY-PC8-S1	200 1380	250 1725
	CY-PC10-CS	CY-PC10-S1	250 1725	N/R
10" 250mm	CY-PC8-CS	CY-PC8-S1	75 518	100 690
	CY-PC10-CS	CY-PC10-S1	200 1380	250 1725
	CY-PC12-CS	CY-PC12-S1	250 1725	N/R
12" 300mm	CY-PC8-CS	CY-PC8-S1	75 518	100 690
	CY-PC10-CS	CY-PC10-S1	150 1035	200 1380
	CY-PC12-CS	CY-PC12-S1	250 1725	250 1725
14" 350mm	CY-PC10-CS	CY-PC10-S1	100 690	150 1035
	CY-PC12-CS	CY-PC12-S1	250 1725	250 1725
16" 400mm	CY-PC10-CS	CY-PC10-S1	75 518	100 690
	CY-PC12-CS	CY-PC12-S1	100 690	150 1035
	CY-PC14-CS	CY-PC14-S1	250 1725	250 1725

Valve Size	Order Code	Order Code	Maximum Pressure Differential psi/kPa			
			Carbon Steel (CS) Yoke	304 SST (S1) Yoke	Dry Solids, Slurries, Paper Stock	Liquids & Gases
18" 450mm	CY-PC12-CS	CY-PC12-S1			75 518	100 690
	CY-PC14-CS	CY-PC14-S1			200 1380	250 1725
	CY-PC16-CS	CY-PC16-S1			250 1725	N/R
20" 500mm	CY-PC12-CS	CY-PC12-S1			50 345	75 518
	CY-PC14-CS	CY-PC14-S1			100 690	150 1035
	CY-PC16-CS	CY-PC16-S1			250 1725	250 1725
24" 600mm	CY-PC14-CS	CY-PC14-S1			75 518	100 690
	CY-PC16-CS	CY-PC16-S1			150 1035	200 1380
	CY-PC18-CS	CY-PC18-S1			250 1725	250 1725
30" 750mm	Contact DeZURIK for cylinder actuator sizing.					
36" 900mm						
42" 1050mm						
48" 1200mm						

NOTE: The limiting factor in actuator selection is the lowest pressure rating of the valve or actuator.

N/R = Not required. Use next smaller actuator.

N/A = Not available. Use larger actuator or contact DeZURIK.

For alternate mounting, add -90, -180 or -270 after the actuator code and as a second line information on the order.

Cylinder Actuators

Pneumatic Actuator Sizing

80 psi (550 kPa) Air Supply

Valve Size	Order Code	Order Code	Maximum Pressure Differential psi/kPa	
	Carbon Steel (CS) Yoke	304 SST (S1) Yoke	Dry Solids, Slurries, Paper Stock	Liquids & Gases
2" & 2.5" 50mm & 65mm	CY-PC4-CS	CY-PC4-S1	250 1725	250 1725
	CY-PC4-CS	CY-PC4-S1	250 1725	250 1725
3" 80mm	CY-PC4-CS	CY-PC4-S1	150 1035	200 1380
	CY-PC6-CS	CY-PC6-S1	250 1725	250 1725
4" 100mm	CY-PC4-CS	CY-PC4-S1	50 345	75 518
	CY-PC6-CS	CY-PC6-S1	200 1380	250 1725
	CY-PC8-CS	CY-PC8-S1	250 1725	N/R
5" 125mm	CY-PC4-CS	CY-PC4-S1	50 345	75 518
	CY-PC6-CS	CY-PC6-S1	200 1380	250 1725
	CY-PC8-CS	CY-PC8-S1	250 1725	N/R
6" 150mm	CY-PC4-CS	CY-PC4-S1	50 345	75 518
	CY-PC6-CS	CY-PC6-S1	150 1035	200 1380
	CY-PC8-CS	CY-PC8-S1	250 1725	250 1725
8" 200mm	CY-PC6-CS	CY-PC6-S1	100 690	150 1035
	CY-PC8-CS	CY-PC8-S1	250 1725	250 1725
10" 250mm	CY-PC8-CS	CY-PC8-S1	100 690	150 1035
	CY-PC10-CS	CY-PC10-S1	250 1725	250 1725
12" 300mm	CY-PC8-CS	CY-PC8-S1	100 690	150 1035
	CY-PC10-CS	CY-PC10-S1	200 1380	250 1725
	CY-PC12-CS	CY-PC12-S1	250 1725	N/R
14" 350mm	CY-PC10-CS	CY-PC10-S1	100 690	150 1035
	CY-PC12-CS	CY-PC12-S1	250 1725	250 1725
16" 400mm	CY-PC10-CS	CY-PC10-S1	75 518	100 690
	CY-PC12-CS	CY-PC12-S1	200 1380	250 1725
	CY-PC14-CS	CY-PC14-S1	250 1725	N/R
18" 450mm	CY-PC12-CS	CY-PC12-S1	200 1380	250 1725
	CY-PC14-CS	CY-PC14-S1	250 1725	N/R

NOTE: The limiting factor in actuator selection is the lowest pressure rating of the valve or actuator.

N/R = Not required. Use next smaller actuator.

N/A = Not available. Use larger actuator or contact DeZURIK.

For alternate mounting, add -90, -180 or -270 after the actuator code and as a second line information on the order.

Valve Size	Order Code	Order Code	Maximum Pressure Differential psi/kPa	
	Carbon Steel (CS) Yoke	304 SST (S1) Yoke	Dry Solids, Slurries, Paper Stock	Liquids & Gases
20" 500mm	CY-PC12-CS	CY-PC12-S1	75 518	100 690
	CY-PC14-CS	CY-PC14-S1	200 1380	250 1725
	CY-PC16-CS	CY-PC16-S1	250 1725	N/R
24" 600mm	CY-PC12-CS	CY-PC12-S1	50 345	100 690
	CY-PC14-CS	CY-PC14-S1	150 1035	250 1725
	CY-PC16-CS	CY-PC16-S1	250 1725	N/R
30" 750mm	Contact DeZURIK for cylinder actuator sizing.			
36" 900mm				
42" 1050mm				
48" 1200mm				

Hydraulic Cylinder Actuators

Double Acting Hydraulic cylinders for on/off operation are sized for 1000 and 2000 psig (6900 and 13790 kPa) slurry service with a 2:1 safety factor capable of maximum non-shock pressure. Contact DeZURIK Application Engineering for Dry

Service applications. All actuators are sized to the full pressure rating of the valve. Specify hydraulic media if other than oil. To order, add the proper code from the table to the valve order code.

Hydraulic Cylinder Actuators

1000 psi (6900 kPa) Supply

Valve Size	Order Code		Maximum Pressure Differential psi/kPa
	Carbon Steel (CS) Yoke	304 SST (S1) Yoke	
2" 50mm	CY-HC1.5-CS	CY-HC1.5-S1	250 1724
2.5" 65mm	CY-HC1.5-CS	CY-HC1.5-S1	250 1724
3" 80mm	CY-HC1.5-CS	CY-HC1.5-S1	250 1724
4" 100mm	CY-HC2-CS	CY-HC2-S1	250 1724
5" 125mm	CY-HC2-CS	CY-HC2-S1	250 1724
6" 150mm	CY-HC2-CS	CY-HC2-S1	250 1724
8" 200mm	CY-HC2-CS	CY-HC2-S1	150 1034
	CY-HC2.5-CS	CY-HC2.5-S1	250 1724
10" 250mm	CY-HC2-CS	CY-HC2-S1	150 1034
	CY-HC3.25-CS	CY-HC3.25-S1	250 1724
12" 300mm	CY-HC2.5-CS	CY-HC2.5-S1	150 1034
	CY-HC3.25-CS	CY-HC3.25-S1	250 1724
14" 350mm	CY-HC2.5-CS	CY-HC2.5-S1	150 1034
	CY-HC4-CS	CY-HC4-S1	250 1724
16" 400mm	CY-HC3.25-CS	CY-HC3.25-S1	150 1034
	CY-HC4-CS	CY-HC4-S1	250 1724
18" 450mm	CY-HC3.25-CS	CY-HC3.25-S1	150 1034
	CY-HC4-CS	CY-HC4-S1	250 1724
20" 500mm	CY-HC3.25-CS	CY-HC3.25-S1	150 1034
	CY-HC4-CS	CY-HC4-S1	250 1724
24" 600mm	CY-HC4-CS	CY-HC4-S1	150 1034
	CY-HC5-CS	CY-HC5-S1	250 1724
30" 750mm	CY-HC5-CS	CY-HC5-S1	150 1034
	CY-HC6-CS	CY-HC6-S1	250 1724
36" 900mm	CY-HC5-CS	CY-HC5-S1	150 1034
42" 1050mm	CY-HC6-CS	CY-HC6-S1	150 1034
48" 1200mm	CY-HC7-CS	CY-HC7-S1	150 1034

2000 psi (13790 kPa) Supply

Valve Size	Order Code		Maximum Pressure Differential psi/kPa
	Carbon Steel (CS) Yoke	304 SST (S1) Yoke	
2" 50mm	CY-HC1.5-CS	CY-HC1.5-S1	250 1724
2.5" 65mm	CY-HC1.5-CS	CY-HC1.5-S1	250 1724
3" 80mm	CY-HC1.5-CS	CY-HC1.5-S1	250 1724
4" 100mm	CY-HC2-CS	CY-HC2-S1	250 1724
5" 125mm	CY-HC2-CS	CY-HC2-S1	250 1724
6" 150mm	CY-HC2-CS	CY-HC2-S1	250 1724
8" 200mm	CY-HC2-CS	CY-HC2-S1	250 1724
10" 250mm	CY-HC2-CS	CY-HC2-S1	250 1724
12" 300mm	CY-HC2-CS	CY-HC2-S1	150 1034
	CY-HC2.5-CS	CY-HC2.5-S1	250 1724
14" 350mm	CY-HC2-CS	CY-HC2-S1	150 1034
	CY-HC2.5-CS	CY-HC2.5-S1	250 1724
16" 400mm	CY-HC2.5-CS	CY-HC2.5-S1	250 1724
18" 450mm	CY-HC2.5-CS	CY-HC2.5-S1	250 1724
20" 500mm	CY-HC2.5-CS	CY-HC2.5-S1	150 1034
	CY-HC3.25-CS	CY-HC3.25-S1	250 1724
24" 600mm	CY-HC3.25-CS	CY-HC3.25-S1	250 1724
30" 750mm	CY-HC3.25-CS	CY-HC3.25-S1	150 1034
	CY-HC4-CS	CY-HC4-S1	250 1724

Hydraulic Cylinder Actuators

Swept Volume

Valve Size	Order Code		Hydraulic Cylinder Diameter inch cm	Area		Swept Volume		
	Carbon Steel (CS) Yoke	304 SST (S1) Yoke		inch ² cm ²	Open	Close	Open	inch ³ cm ³
2" 50mm	CY-HC1.5-CS	CY-HC1.5-S1	1.5	1.0	1.8	2	4	
			3.8	6.3	11.4	33	60	
2.5" 65mm	CY-HC1.5-CS	CY-HC1.5-S1	1.5	1.0	1.8	3	5	
			3.8	6.3	11.4	42	76	
3" 80mm	CY-HC1.5-CS	CY-HC1.5-S1	1.5	1.0	1.8	3	6	
			3.8	6.3	11.4	51	91	
4" 100mm	CY-HC2-CS	CY-HC2-S1	2.0	2.4	3.1	10	13	
			5.1	15.2	20.3	160	213	
5" 125mm	CY-HC2-CS	CY-HC2-S1	2.0	2.4	3.1	12	16	
			5.1	15.2	20.3	198	265	
6" 150mm	CY-HC2-CS	CY-HC2-S1	2.0	2.4	3.1	15	19	
			5.1	15.2	20.3	238	318	
8" 200mm	CY-HC2-CS	CY-HC2-S1	2.0	2.4	3.1	19	26	
			5.1	15.2	20.3	318	424	
	CY-HC2.5-CS	CY-HC2.5-S1	2.5	3.4	4.9	28	40	
			6.4	22.1	31.7	462	663	
10" 250mm	CY-HC2-CS	CY-HC2-S1	2.0	2.4	3.1	24	32	
			5.1	15.2	20.3	397	530	
	CY-HC3.25-CS	CY-HC3.25-S1	3.25	6.8	8.3	70	85	
			8.3	43.9	53.5	1148	1399	
12" 300mm	CY-HC2-CS	CY-HC2-S1	2.0	2.4	3.1	29	39	
			5.1	15.2	20.3	478	637	
	CY-HC2.5-CS	CY-HC2.5-S1	2.5	3.4	4.9	42	61	
			6.4	22.1	31.7	694	995	
14" 350mm	CY-HC3.25-CS	CY-HC3.25-S1	3.25	6.8	8.3	84	103	
			8.3	43.9	53.5	1381	1682	
	CY-HC2-CS	CY-HC2-S1	2.0	2.4	3.1	32	43	
			5.1	15.2	20.3	525	700	
CY-HC2.5-CS	CY-HC2.5-S1	2.5	3.4	4.9	47	67		
		6.4	22.1	31.7	763	1094		
		CY-HC4-CS	CY-HC4-S1	4.0	10.2	12.6	138	171
16" 400mm	CY-HC2.5-CS	CY-HC2.5-S1	2.5	3.4	4.9	54	77	
			6.4	22.1	31.7	879	1260	
	CY-HC3.25-CS	CY-HC3.25-S1	3.25	6.8	8.3	107	130	
			8.3	43.9	53.5	1748	2129	
CY-HC4-CS	CY-HC4-S1	4.0	10.2	12.6	159	197		
18" 450mm	CY-HC2.5-CS	CY-HC2.5-S1	2.5	3.4	4.9	61	87	
			6.4	22.1	31.7	996	1428	
	CY-HC3.25-CS	CY-HC3.25-S1	3.25	6.8	8.3	121	147	
			8.3	43.9	53.5	1981	2413	
CY-HC4-CS	CY-HC4-S1	4.0	10.2	12.6	180	223		
20" 500mm	CY-HC2.5-CS	CY-HC2.5-S1	2.5	3.4	4.9	67	97	
			6.4	22.1	31.7	1106	1585	
	CY-HC3.25-CS	CY-HC3.25-S1	3.25	6.8	8.3	134	164	
			8.3	43.9	53.5	2200	2679	
CY-HC4-CS	CY-HC4-S1	4.0	10.2	12.6	200	248		
24" 600mm	CY-HC3.25-CS	CY-HC3.25-S1	3.25	6.8	8.3	162	198	
			8.3	43.9	53.5	2661	3241	
	CY-HC4-CS	CY-HC4-S1	4.0	10.2	12.6	242	300	
			10.2	65.6	81.1	3970	4909	
CY-HC5-CS	CY-HC5-S1	5.0	16.5	19.6	393	468		
30" 750mm	CY-HC3.25-CS	CY-HC3.25-S1	3.25	6.8	8.3	205	249	
			8.3	43.9	53.5	3356	4088	
	CY-HC4-CS	CY-HC4-S1	4.0	10.2	12.6	306	378	
			10.2	65.6	81.1	5007	6192	
CY-HC5-CS	CY-HC5-S1	5.0	16.5	19.6	496	590		
		12.7	106.4	126.7	8127	9675		
CY-HC6-CS	CY-HC6-S1	6.0	23.4	28.3	703	850		
36" 900mm	CY-HC4-CS	CY-HC4-S1	4.0	10.2	12.6	368	456	
			10.2	65.6	81.1	6036	7465	
	CY-HC5-CS	CY-HC5-S1	5.0	16.5	19.6	598	712	
			12.7	106.4	126.7	9798	11664	
CY-HC6-CS	CY-HC6-S1	6.0	23.4	28.3	847	1025		
42" 1050mm	CY-HC5-CS	CY-HC5-S1	5.0	16.5	19.6	697	830	
			12.7	106.4	126.7	11422	13598	
	CY-HC6-CS	CY-HC6-S1	6.0	23.4	28.3	987	1195	
			15.2	150.7	182.4	16181	19580	
48" 1200mm	CY-HC5-CS	CY-HC5-S1	5.0	16.5	19.6	797	949	
			12.7	106.4	126.7	13063	15551	
	CY-HC7-CS	CY-HC7-S1	7.0	31.4	38.5	1518	1860	
			17.8	202.7	248.3	24881	30479	

Cylinder Actuator Accessories

Positioners

DeZURIK Cylinder Actuators are available with pneumatic, electro-pneumatic or digital positioners. Positioners are available in various NEMA ratings and mounted to the actuator legs.

Air Filter Regulator

The DeZURIK Air Filter Regulator is designed to provide clean, accurate air pressure to actuators and positioners.

Four-Way Solenoid Valves

Solenoid Valves may be ordered mounted and piped as part of a complete valve/actuator assembly or as a separate item.

Speed Control Valves

Speed Control Valves are available for controlling valve opening or closing speed with pneumatic actuators. The speed of operation is adjustable.

Position Indicating Switches

Mechanical or Proximity Position Indicating Switches are available for use on double-acting cylinder actuators. One switch can be set to indicate open or closed position. Two switches will automatically be set to indicate full open and full closed positions.

Corrosion Resistant Cylinder

The Corrosion Resistant Cylinder assembly includes epoxy coating on the head, cap and gland – all of which are cast iron. The tube is fiberglass and all fasteners are stainless steel. To order Corrosion-Resistant Cylinder construction, add -CR to the actuator code.

Ordering Example:

KUL,6,MU,F1,DI,SMP,S1-EU*CY-PC6-S1-CR

Electric Motor Actuators

DeZURIK Knife Gate Valves can be furnished with electric motor actuators including Limitorque, Auma, Rotork, E.I.M. and others.

When ordering Electric Motor Actuators, specify valve order code, shutoff pressure, service conditions (flowing media and installation direction); type of application (on/off or throttling); speed of operation; NEMA rating (4, 7, submersible, etc.); electrical characteristics (voltage and phase); actuator accessories and controls as per specification requirements.

High-Strength Actuator Legs

For unsupported horizontal mounting of 3-12" (80-300mm) valve sizes with cylinder actuators, High-Strength Actuator Legs are available as part of a complete valve and actuator assembly. To order, add the SAL code after the actuator code.

Ordering Example:

KUL,6,MU,F1,DI,SMP,S1-EU*CY-PC6-S1,SAL

Stem Cover Bellows

To protect valve stem from environmental debris, the Stem Cover Bellows may be ordered as part of a complete valve and cylinder actuator assembly. To order, add the SCB code to the valve and actuator code.

Ordering Example:

KUL,6,MU,F1,DI,SMP,S1-EU*CY-PC6-S1,SCB

Lockout Device

Available on all sizes of Cylinder Actuated Valves. To order, add the LK code to the valve and actuator code.

Ordering Example:

KUL,6,MU,F1,DI,SMP,S1-EU*CY-PC6-S1,LK

Stainless Steel Tubing and Fittings

To order accessories piped with stainless steel tubing and fittings, add -SF to the order code.

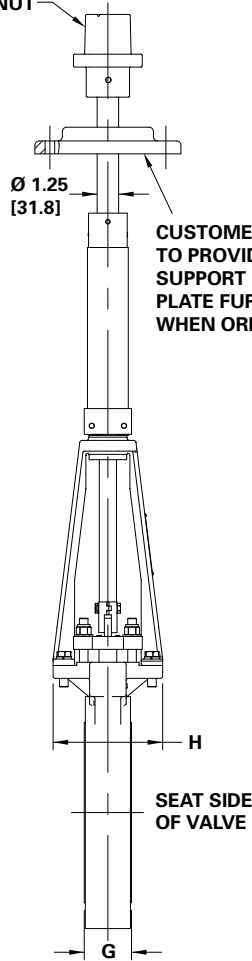
Dimensions

Valve and Nut

Valve Size	Dimensions				
	F	G	H	L	M
2" 50mm	3.25 83	1.88 48	4.00 102	22.44 570	17.63 448
2.5" 65mm	3.64 92	2.00 51	4.75 121	25.60 650	19.79 503
3" 80mm	3.75 95	2.00 51	4.75 121	25.92 658	20.11 511
4" 100mm	4.50 114	2.00 51	5.00 127	28.20 716	23.39 594
5" 125mm	5.00 127	2.25 57	5.75 146	32.62 829	27.81 706
6" 150mm	5.50 140	2.25 57	5.75 146	34.20 869	29.39 747
8" 200mm	6.75 171	2.75 70	6.38 162	39.70 1008	34.89 886
10" 250mm	8.00 203	2.75 70	8.25 210	46.53 1182	41.72 1060
12" 300mm	9.50 241	3.00 76	8.25 210	52.19 1326	47.38 1203
14" 350mm	10.50 267	3.00 76	8.25 210	63.19 1605	58.38 1483
16" 400mm	11.75 298	3.50 89	8.69 221	70.63 1794	65.82 1672

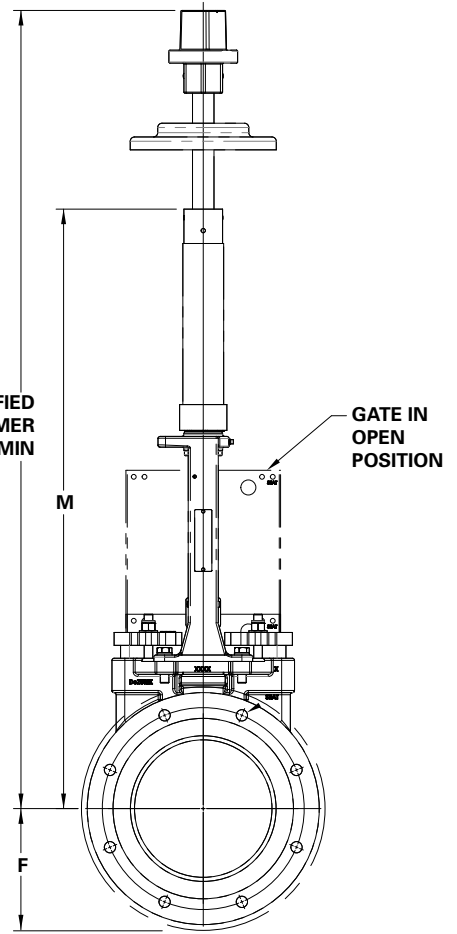
Inches
Millimeters

2" [51]
SQUARE NUT



CUSTOMER
TO PROVIDE
SUPPORT BEARING
PLATE FURNISHED
WHEN ORDERED

AS SPECIFIED
BY CUSTOMER
"L" MIN

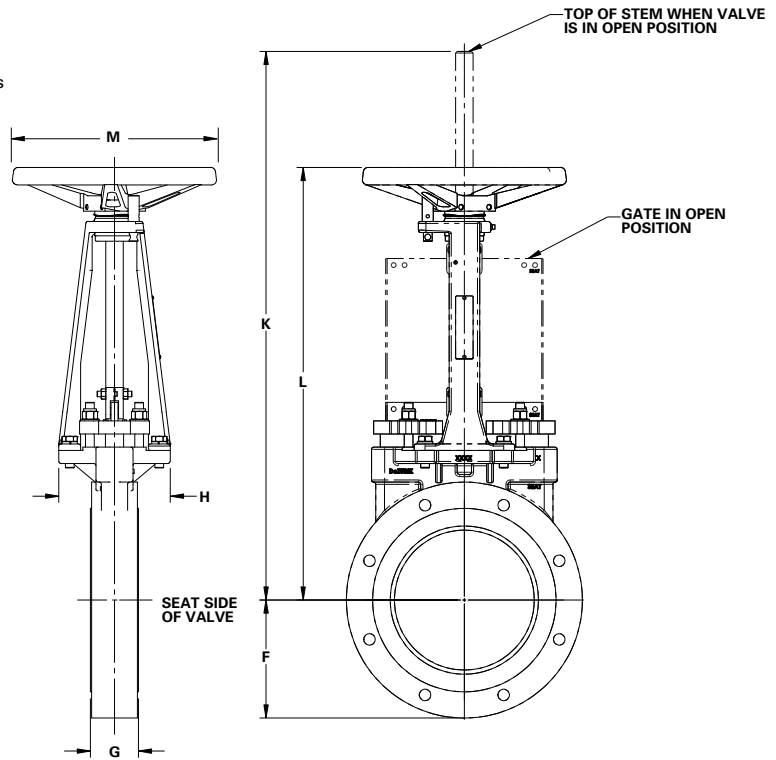


Dimensions

Flanged Valve and Handwheel

Valve Size	Dimensions					
	F	G	H	K	L	M
2" 50mm	3.25 83	1.88 48	4.00 102	14.93 379	13.25 337	8.00 203
2.5" 65mm	3.64 92	2.00 51	4.75 121	16.44 418	14.42 366	8.00 203
3" 80mm	3.75 95	2.00 51	4.75 121	16.62 422	14.74 374	8.00 203
4" 100mm	4.50 114	2.00 51	5.00 127	19.94 506	17.27 439	12.00 305
5" 125mm	5.00 127	2.25 57	5.75 146	24.35 618	19.71 501	12.00 305
	5.00 127	2.25 57	5.75 146	24.35 618	19.58 497	16.00 406
6" 150mm	5.50 140	2.25 57	5.75 146	26.04 661	21.22 539	12.00 305
	5.50 140	2.25 57	5.75 146	26.04 661	21.14 537	16.00 406
8" 200mm	6.75 171	2.75 70	6.38 162	31.54 801	24.63 626	16.00 406
10" 250mm	8.00 203	2.75 70	8.25 210	39.05 992	30.10 765	16.00 406
12" 300mm	9.50 241	3.00 76	8.25 210	44.75 1137	33.79 858	16.00 406
14" 350mm	10.50 267	3.00 76	8.30 211	53.66 1363	36.53 928	20.00 508
16" 400mm	11.75 298	3.50 8	8.70 221	57.23 1454	40.23 1022	20.00 508

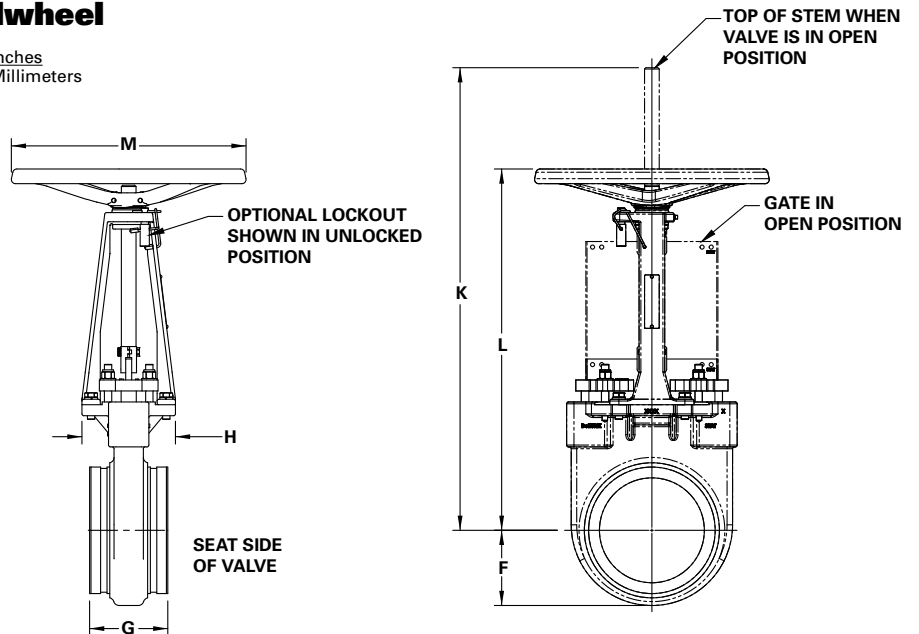
Inches
Millimeters



Grooved End Valve and Handwheel

Valve Size	Dimensions					
	F	G	H	K	L	M
2" 50mm	2.19 56	3.21 82	4.00 102	14.85 377	13.30 338	8.00 203
3" 80mm	3.00 76	3.77 96	4.75 121	16.76 426	14.74 374	8.00 203
4" 100mm	3.19 81	4.63 118	5.00 127	20.04 509	17.27 439	12.00 305
5" 125mm	3.66 93	5.88 149	5.75 146	24.48 622	19.71 501	12.00 305
	3.66 93	5.88 149	5.75 146	24.48 622	19.58 497	16.00 406
6" 150mm	4.38 111	5.88 149	5.75 146	26.04 661	21.22 539	12.00 305
	4.38 111	5.88 149	5.75 146	26.04 661	21.14 537	16.00 406
8" 200mm	5.13 130	5.33 135	6.38 162	31.54 801	24.63 626	16.00 406
10" 250mm	6.54 166	6.40 163	8.25 210	39.25 997	30.10 765	16.00 406
12" 300mm	7.38 187	6.50 165	8.25 210	44.93 1141	33.79 858	16.00 406

Inches
Millimeters

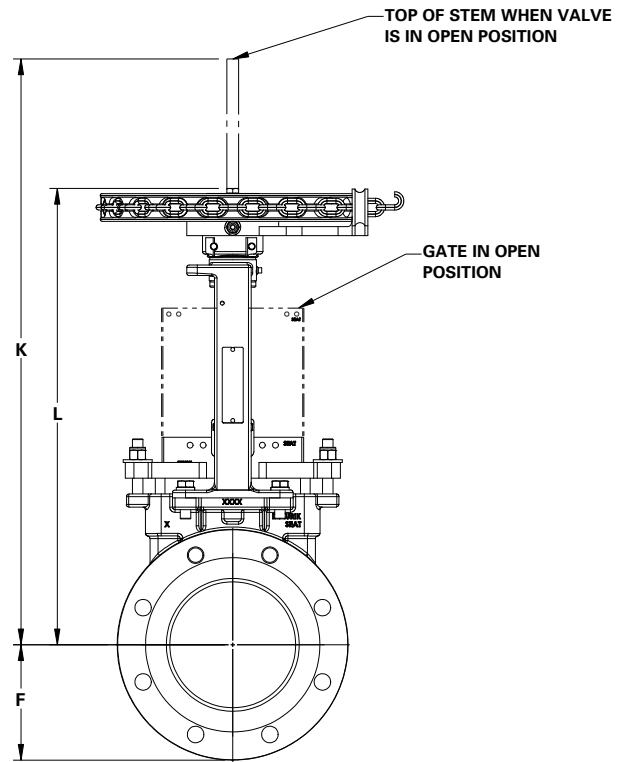
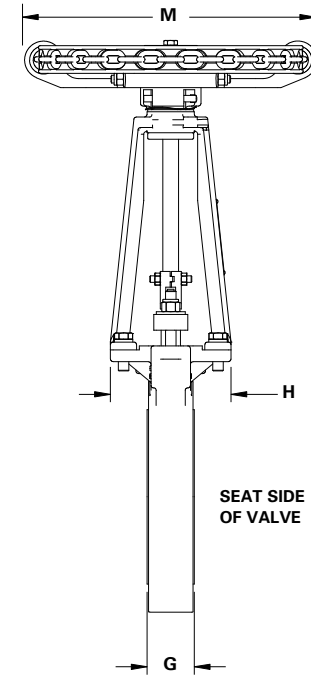


Dimensions

Flanged Valve and Chainwheel

Valve Size	Dimensions					
	F	G	H	K	L	M
2"	3.25	1.88	4.00	15.94	13.83	8.00
50mm	83	48	102	405	351	203
2.5"	3.64	2.00	4.75	18.44	15.72	8.00
65mm	92	51	121	468	399	203
3"	3.75	2.00	4.75	18.63	15.49	8.00
80mm	95	51	121	473	393	203
4"	4.50	2.00	5.00	21.74	17.60	12.00
100mm	114	51	127	552	447	305
5"	5.00	2.25	5.75	25.17	20.03	12.00
125mm	127	57	146	639	509	305
	5.00	2.25	5.75	25.17	20.03	20.00
	127	57	146	639	509	508
6"	5.50	2.25	5.75	27.74	21.58	20.00
150mm	140	57	146	705	548	508
8"	6.75	2.75	6.38	33.31	25.07	20.00
200mm	171	70	162	846	637	508
10"	8.00	2.75	8.25	40.86	30.57	20.00
250mm	203	70	210	1038	776	508
12"	9.50	3.00	8.25	46.94	34.58	20.00
300mm	241	76	210	1192	878	508
14"	10.50	3.00	8.25	53.56	41.09	30.00
350mm	267	76	210	1360	1044	762
16"	11.75	3.50	8.69	57.23	42.69	30.00
400mm	298	89	221	1454	1084	762

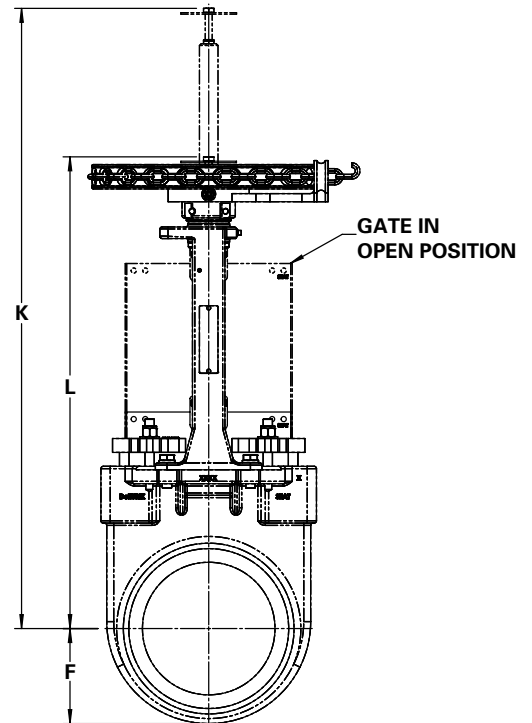
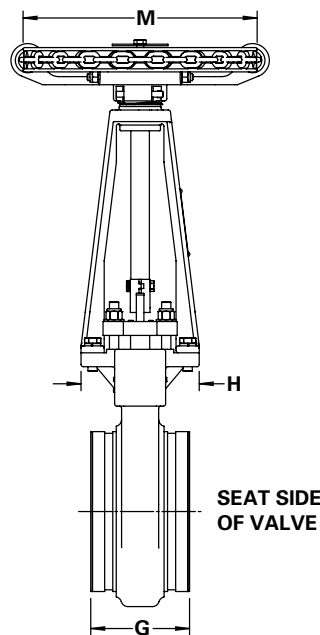
Inches
Millimeters



Grooved End Valve and Chainwheel

Valve Size	Dimensions					
	F	G	H	K	L	M
2"	2.19	3.21	4.00	16.33	13.95	8.00
50mm	56	82	102	415	354	203
3"	3.00	3.77	4.75	18.76	15.63	8.00
80mm	76	96	121	477	397	203
4"	3.19	4.63	5.00	21.98	17.89	12.00
100mm	81	118	127	558	454	305
5"	3.66	5.88	5.75	25.68	20.58	12.00
125mm	93	149	146	652	523	305
	3.66	5.88	5.75	25.68	20.58	20.00
	93	149	146	652	523	508
6"	4.38	5.88	5.75	27.92	21.72	12.00
150mm	111	149	146	709	552	305
8"	5.13	5.33	6.38	33.45	25.44	12.00
200mm	130	135	162	850	646	305
10"	6.54	6.40	8.25	41.06	30.93	20.00
250mm	166	163	210	1043	786	508
12"	7.38	6.50	8.25	47.13	34.97	20.00
300mm	187	165	210	1197	888	508

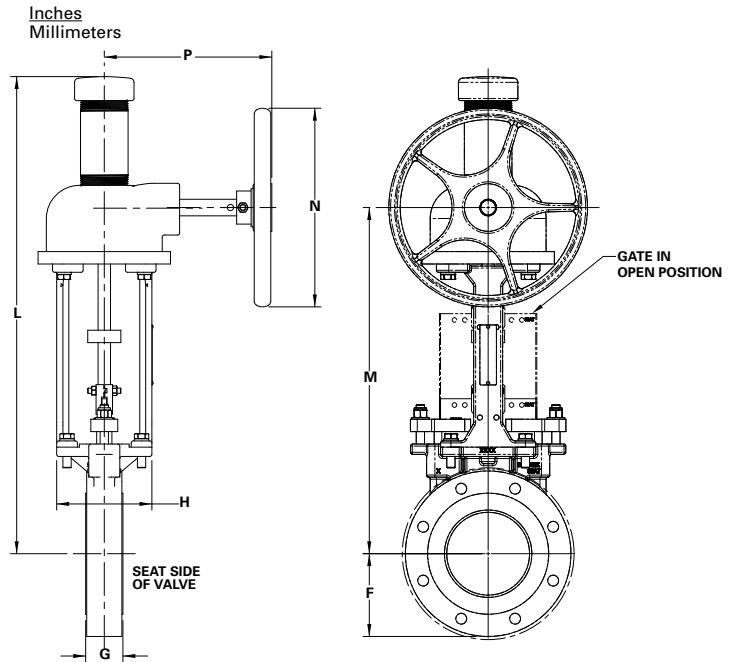
Inches
Millimeters



Dimensions

Flanged Valve and Bevel Gear Handwheel 3-8" MU & HP Body Styles

Valve Size	Dimensions							
	F	G	H	L	M	N	P	
							Standard & 180 Mounting	90 & 270 Mounting
3" 80mm	3.75 95	2.00 51	4.75 121	22.12 562	16.19 411	12.00 305	10.12 257	10.12 257
4" 100mm	4.50 114	2.00 51	5.00 127	24.38 619	18.47 469	12.00 305	10.12 257	10.12 257
5" 125mm	5.80 147	2.25 57	5.75 146	28.82 732	20.91 531	12.00 305	10.12 257	10.12 257
6" 150mm	5.48 139	2.25 57	5.75 146	30.39 772	22.47 571	12.00 305	10.12 257	10.12 257
8" 200mm	6.75 171	2.75 70	6.38 162	35.89 912	25.97 660	12.00 305	10.12 257	10.12 257



Flanged Valve 10" & Larger, MU Body Style

Valve Size	Dimensions							
	F	G	H	L	M	N	P	
							Standard & 180 Mounting	90 & 270 Mounting
10" 250mm	8.00 203	2.75 70	8.24 209	46.57 1183	31.66 804	12.00 305	10.12 257	10.12 257
12" 300mm	9.50 241	3.00 76	8.25 210	50.26 1277	35.35 898	12.00 305	10.12 257	10.12 257
14" 350mm	10.50 267	3.00 76	8.25 210	56.82 1443	37.91 963	12.00 305	10.12 257	24.13 613
16" 400mm	11.75 298	3.50 89	8.69 221	60.51 1537	41.60 1057	16.00 406	17.62 448	24.13 613
18" 450mm	12.50 318	3.50 89	9.31 236	69.95 1777	47.04 1195	24.00 610	17.62 448	32.88 835
20" 500mm	13.75 349	4.50 114	9.42 239	73.63 1870	50.72 1288	24.00 610	17.62 448	32.88 835
24" 600mm	16.00 406	4.50 114	9.42 239	81.20 2062	61.58 1564	24.00 610	23.75 603	33.75 857
30" 750mm	19.38 492	5.50 140	11.25 286	109.58 2783	76.00 1930	24.00 610	23.75 603	33.75 857
36" 900mm	23.00 584	6.00 152	12.00 305	121.46 3085	87.49 2222	24.00 610	23.75 603	32.87 835
42" 1050mm	26.50 673	6.50 165	13.50 343	150.30 3818	103.51 2629	24.00 610	25.55 649	36.57 929
48" 1200mm	29.75 756	7.00 178	18.50 470	163.64 4156	116.85 2968	24.00 610	25.55 649	36.57 929

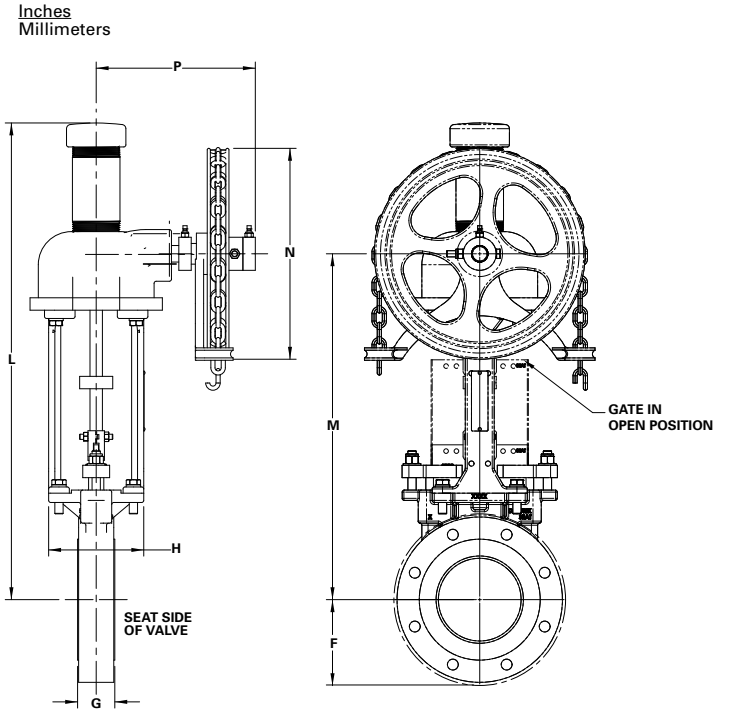
Flanged Valve 10" & Larger, HP Body Style

Valve Size	Dimensions							
	F	G	H	L	M	N	P	
							Standard & 180 Mounting	90 & 270 Mounting
10" 250mm	8.00 203	2.75 70	8.24 209	46.57 1183	31.66 804	16.00 406	10.50 267	10.50 267
12" 300mm	9.50 241	3.00 76	8.25 210	50.26 1277	35.35 898	16.00 406	10.50 267	10.50 267
14" 350mm	10.50 267	3.00 76	8.25 210	56.82 1443	37.91 963	16.00 406	10.50 267	24.15 613
16" 400mm	11.75 298	3.50 89	8.69 221	60.51 1537	41.60 1057	24.00 610	17.62 448	32.88 835
18" 450mm	12.50 318	3.50 89	9.31 236	69.95 1777	47.04 1195	30.00 762	9.75 248	24.13 613
20" 500mm	13.75 349	4.50 114	9.42 239	73.63 1870	53.61 1362	36.00 914	23.15 588	38.40 975
24" 600mm	16.00 406	4.50 114	9.42 239	81.20 2062	61.58 1564	24.00 610	23.75 603	33.75 857
30" 750mm	19.38 492	5.50 140	11.25 286	111.95 2844	77.16 1960	24.00 610	26.57 675	36.57 929
36" 900mm	23.00 584	6.00 152	12.00 305	123.45 3136	88.66 2252	24.00 610	26.57 675	36.57 929
42" 1050mm	26.50 673	6.50 165	13.50 343	150.30 3818	103.51 2629	30.00 762	17.68 449	28.72 729
48" 1200mm	29.75 756	7.00 178	18.50 470	163.64 4156	116.85 2968	30.00 762	17.68 449	28.72 729

Dimensions

Flanged Valve and Bevel Gear Chainwheel 3-8" MU & HP Body Styles

Valve Size	Dimensions							
	F	G	H	L	M	N	P	
							Standard & 180 Mounting	90 & 270 Mounting
3" 80mm	3.75 95	2.00 51	4.75 121	22.12 562	16.19 411	12.75 324	9.62 244	9.62 244
4" 100mm	4.50 114	2.00 51	5.00 127	24.39 620	18.47 469	12.75 324	9.62 244	9.62 244
5" 125mm	5.80 147	2.25 57	5.75 146	28.83 732	20.89 531	12.75 324	9.62 244	9.62 244
6" 150mm	5.48 139	2.25 57	5.75 146	30.41 772	22.47 571	12.75 324	9.62 244	9.62 244
8" 200mm	6.75 171	2.75 70	6.38 162	34.90 886	25.97 660	12.75 324	9.62 244	9.62 244



Flanged Valve 10" & Larger, MU Body Style

Valve Size	Dimensions							
	F	G	H	L	M	N	P	
							Standard & 180 Mounting	90 & 270 Mounting
10" 250mm	8.00 203	2.75 70	8.24 209	46.57 1183	31.66 804	12.00 305	9.62 244	9.62 244
12" 300mm	9.50 241	3.00 76	8.25 210	50.26 1277	35.35 898	12.00 305	9.62 244	9.62 244
14" 350mm	10.50 267	3.00 76	8.25 210	56.82 1443	37.91 963	12.75 324	9.62 244	24.12 613
16" 400mm	11.75 298	3.50 89	8.69 221	60.51 1537	41.60 1057	20.00 508	9.62 244	24.12 613
18" 450mm	12.50 318	3.50 89	9.31 236	69.95 1777	47.04 1195	30.00 762	9.62 244	24.12 613
20" 500mm	13.75 349	4.50 114	9.42 239	73.63 1870	50.72 1288	30.00 762	9.62 244	24.12 613
24" 600mm	16.19 411	4.50 114	9.42 239	81.20 2062	61.58 1564	20.00 508	15.00 381	25.00 635
30" 750mm	19.38 492	5.50 140	11.25 286	109.58 2783	76.00 1930	20.00 508	15.00 381	25.00 635
36" 900mm	23.00 584	6.00 152	12.00 305	121.46 3085	87.49 2222	30.00 762	15.00 381	25.00 635
42" 1050mm	26.50 673	6.50 165	13.50 343	150.30 3818	103.51 2629	30.00 762	17.82 453	27.82 707
48" 1200mm	29.75 756	7.00 178	18.50 470	163.64 4156	116.85 2968	30.00 762	17.82 453	27.82 707

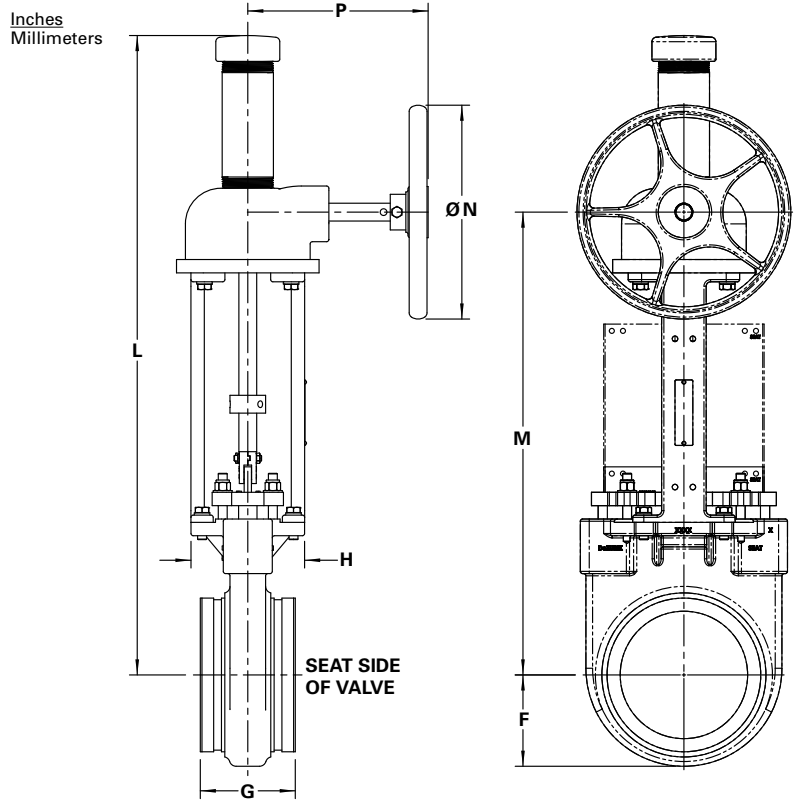
Flanged Valve 10" & Larger, HP Body Style

Valve Size	Dimensions							
	F	G	H	L	M	N	P	
							Standard & 180 Mounting	90 & 270 Mounting
10" 250mm	8.00 203	2.75 70	8.24 209	46.57 1183	31.66 804	20.00 508	9.62 244	9.62 244
12" 300mm	9.50 241	3.00 76	8.25 210	50.26 1277	35.35 898	20.00 508	9.62 244	9.62 244
14" 350mm	10.50 267	3.00 76	8.25 210	56.82 1443	37.91 963	20.00 508	9.62 244	24.12 613
16" 400mm	11.75 298	3.50 89	8.69 221	60.51 1537	41.60 1057	30.00 762	9.62 244	24.12 613
18" 450mm	12.50 318	3.50 89	9.31 236	69.95 1777	47.04 1195	30.00 762	9.62 244	24.12 613
20" 500mm	13.75 349	4.50 114	9.42 239	73.63 1870	53.61 1362	30.00 762	15.00 381	25.00 635
24" 600mm	16.19 411	4.50 114	9.42 239	81.20 2062	61.58 1564	30.00 762	15.00 381	25.00 635
30" 750mm	19.38 492	5.50 140	11.25 286	111.95 2844	77.16 1960	30.00 762	17.82 453	25.00 635
36" 900mm	23.00 584	6.00 152	12.00 305	123.45 3136	88.65 2252	30.00 762	17.82 453	27.82 707
42" 1050mm	26.50 673	6.50 165	13.50 343	150.30 3818	103.51 2629	30.00 762	17.82 453	27.82 707
48" 1200mm	29.75 756	7.00 178	18.50 470	163.64 4156	116.85 2968	30.00 762	17.82 453	27.82 707

Dimensions

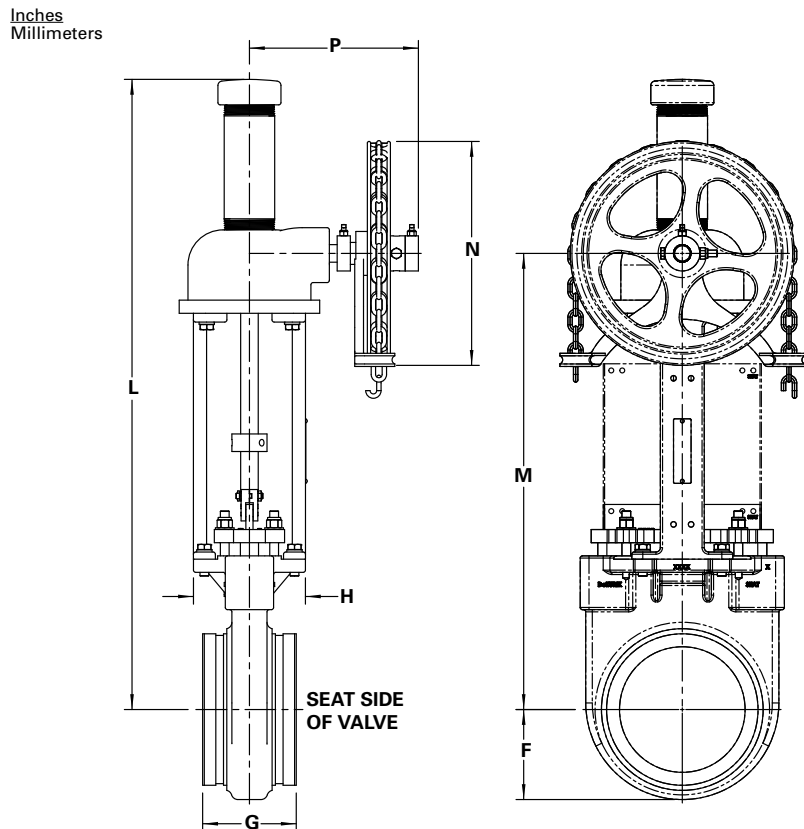
Grooved End Valved and Bevel Gear Handwheel

Valve Size	Dimensions						
	F	G	H	L	M	N	P
3" 80mm	3.00 76	3.77 96	4.75 121	22.06 560	16.19 411	12.00 305	10.12 257
4" 100mm	3.19 81	4.63 118	5.00 127	24.38 619	18.47 469	12.00 305	10.12 257
5" 125mm	3.66 93	5.88 149	5.75 146	28.82 732	20.91 531	12.00 305	10.12 257
6" 150mm	4.38 111	5.88 149	5.75 146	30.38 772	22.47 571	12.00 305	10.12 257
8" 200mm	5.13 130	5.33 135	6.38 162	35.88 911	25.97 660	12.00 305	10.12 257
10" 250mm	6.54 166	6.40 163	8.25 210	46.57 1183	31.66 804	12.00 305	10.12 257
	6.54 166	6.40 163	8.25 210	46.57 1183	31.66 804	16.00 406	10.50 267
12" 300mm	7.38 187	6.50 165	8.25 210	50.26 1277	35.35 898	12.00 305	10.12 257
	7.38 187	6.50 165	8.25 210	50.26 1277	35.35 898	16.00 406	10.50 267



Grooved End Valved and Bevel Gear Chainwheel

Valve Size	Dimensions						
	F	G	H	L	M	N	P
3" 80mm	3.00 76	3.77 96	4.75 121	22.06 560	16.19 411	12.00 305	9.62 244
4" 100mm	3.19 81	4.63 118	5.00 127	24.38 619	18.47 469	12.00 305	9.62 244
5" 125mm	3.66 93	5.88 149	5.75 146	28.82 732	20.91 531	12.00 305	9.62 244
6" 150mm	4.38 111	5.88 149	5.75 146	30.38 772	22.47 571	12.00 305	9.62 244
8" 200mm	5.13 130	5.33 135	6.38 162	35.88 911	25.97 660	12.00 305	9.62 244
10" 250mm	6.54 166	6.40 163	8.25 210	46.57 1183	31.66 804	12.00 305	9.62 244
	6.54 166	6.40 163	8.25 210	46.57 1183	31.66 804	20.00 508	9.62 244
12" 300mm	7.38 187	6.50 165	8.25 210	50.26 1277	35.35 898	12.00 305	9.62 244
	7.38 187	6.50 165	8.25 210	50.26 1277	35.35 898	20.00 508	9.62 244

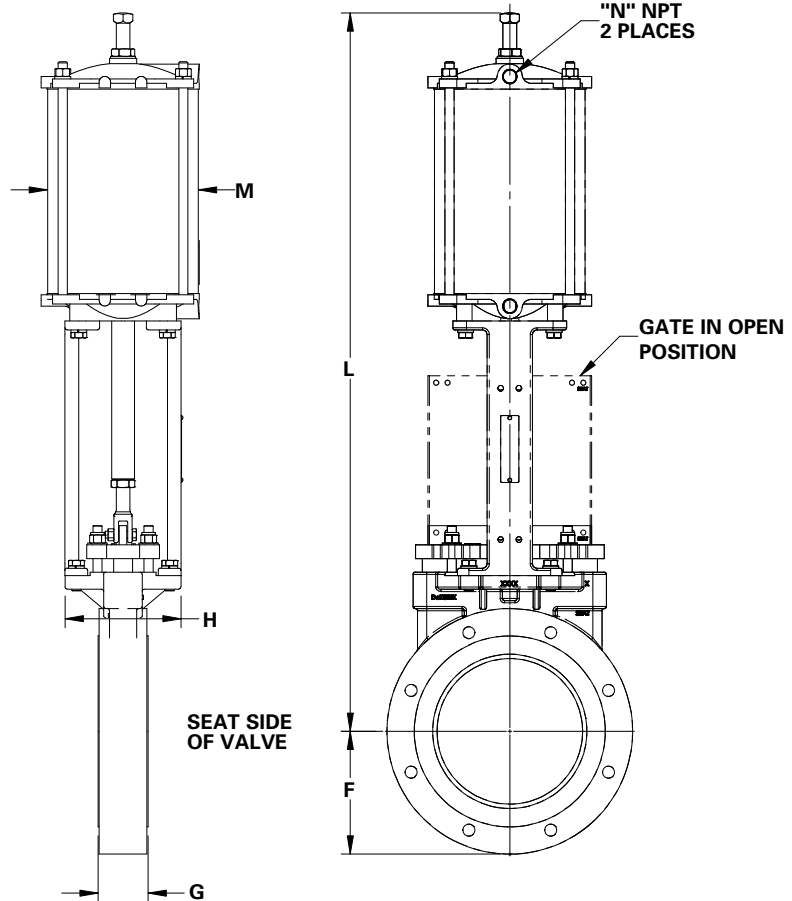


Dimensions

Flanged Valve and Cylinder Actuator

Valve Size	Dimensions		
	F	G	H
2"	3.25	1.88	4.00
50mm	83	48	102
2.5"	3.64	2.00	4.75
65mm	92	51	121
3"	3.75	2.00	4.75
80mm	95	51	121
4"	4.50	2.00	5.00
100mm	114	51	127
5"	5.00	2.25	5.75
125mm	127	57	146
6"	5.50	2.25	5.75
150mm	140	57	146
8"	6.75	2.75	6.38
200mm	171	70	162
10"	8.00	2.75	8.25
250mm	203	70	210
12"	9.50	3.00	8.25
300mm	241	76	210
14"	10.50	3.00	8.25
350mm	267	76	210
16"	11.75	3.50	8.69
400mm	298	89	221
18"	12.50	3.50	9.31
450mm	318	89	237
20"	13.75	4.50	9.42
500mm	349	114	239
24"	16.00	4.50	9.42
600mm	406	114	239

Inches
Millimeters



Cylinder Actuator

Actuator Code	Dimensions															M	N
	2" 50mm	2.5" 65mm	3" 80mm	4" 100mm	5" 125mm	6" 150mm	8" 200mm	10" 250mm	12" 300mm	14" 350mm	16" 400mm	18" 450mm	20" 500mm	24" 600mm			
CY-PC4	22.18 563	23.53 598	23.84 606	26.12 663	30.47 774	32.09 815	—	—	—	—	—	—	—	—	—	5.38 137	1/4
CY-PC6	—	—	—	29.45 748	32.13 816	33.48 850	39.25 997	—	—	—	—	—	—	—	—	7.88 200	1/4
CY-PC8	—	—	—	—	32.50 826	34.13 867	39.63 1007	49.16 1249	53.18 1351	—	—	—	—	—	—	10.50* 267	1/2
CY-PC10	—	—	—	—	—	—	—	50.66 1287	54.35 1380	60.56 1538	64.25 1632	—	—	—	—	10.88 276	1/2
CY-PC12	—	—	—	—	—	—	—	50.74 1289	54.55 1386	60.68 1541	64.37 1635	73.81 1875	77.50 1969	89.46 2272	—	12.94 329	1/2
CY-PC14	—	—	—	—	—	—	—	—	—	—	64.31 1633	74.15 1883	77.84 1977	89.81 2281	—	15.13 384	1/2
CY-PC16	—	—	—	—	—	—	—	—	—	—	—	70.25 1784	75.94 1929	87.91 2233	—	17.00 432	1/2
CY-PC18	—	—	—	—	—	—	—	—	—	—	—	—	—	88.28 2242	19.00 483	3/4	

Inches
Millimeters

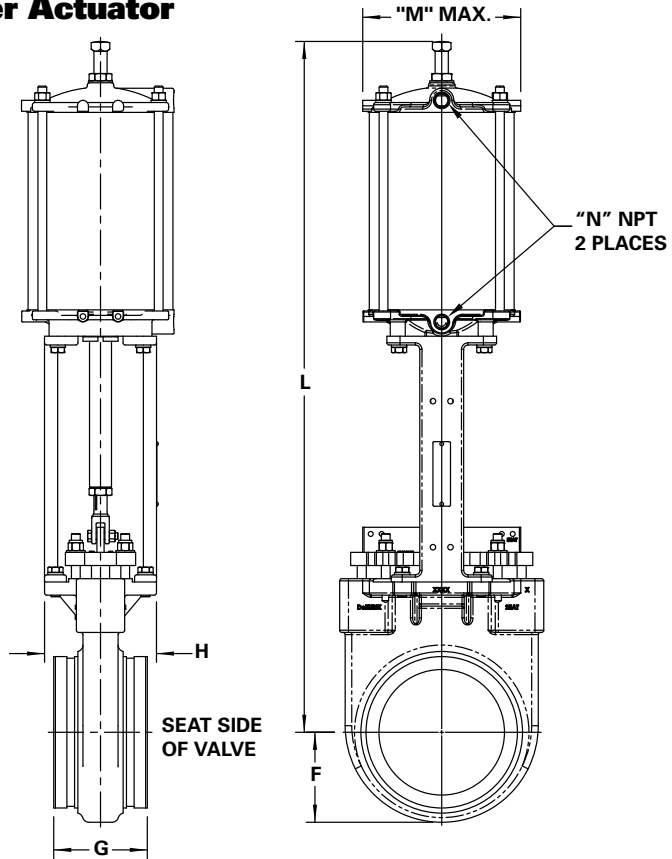
* M Dimension on 10" & 12" valve sizes is 8.69
271

Dimensions

Grooved End Valve and Cylinder Actuator

Valve Size	Dimensions		
	F	G	H
2" 50mm	2.19 56	3.21 82	4.00 102
3" 80mm	3.00 76	3.77 96	4.75 121
4" 100mm	3.19 81	4.63 118	5.00 127
5" 125mm	3.66 93	5.88 149	5.75 146
6" 150mm	4.38 111	5.88 149	5.75 146
8" 200mm	5.13 130	5.33 135	6.38 162
10" 250mm	6.54 166	6.40 163	8.25 210
12" 300mm	7.38 187	6.50 165	8.25 210

Inches
Millimeters



Cylinder Actuator

Actuator Code	Dimensions									
	L								M	N
	2" 50mm	3" 80mm	4" 100mm	5" 125mm	6" 150mm	8" 200mm	10" 250mm	12" 300mm		
CY-PC4	22.57 573	24.00 610	26.29 668	30.72 780	32.28 820	—	—	—	5.00 127	1/4
CY-PC6	—	—	27.55 700	31.99 813	33.62 854	39.01 991	—	—	7.00 178	1/4
CY-PC8	—	—	—	32.23 819	33.85 860	39.35 999	49.23 1250	52.92 1344	9.00 229	1/2
CY-PC10	—	—	—	—	—	40.86 1038	50.67 1287	54.35 1380	11.25 286	1/2
CY-PC12	—	—	—	—	—	—	50.88 1292	54.56 1386	13.25 337	1/2

Inches
Millimeters

Sales and Service

For information about our worldwide locations, approvals, certifications and local representative:

Web Site: www.dezurik.com E-Mail: info@dezurik.com



250 Riverside Ave. N. Sartell, Minnesota 56377 • Phone: 320-259-2000 • Fax: 320-259-2227

DeZURIK, Inc. reserves the right to incorporate our latest design and material changes without notice or obligation. Design features, materials of construction and dimensional data, as described in this bulletin, are provided for your information only and should not be relied upon unless confirmed in writing by DeZURIK, Inc. Certified drawings are available upon request.