



D.H.C. CONTROL CO., LTD.



World Best DAE HAN CONTROL Automation & Special Valves



DH DAE HAN CONTROL CO., LTD.

D.H.C CONTROL CO., LTD.

People and Nature in harmony

*Most Reliable Business and
Technical Partner for the Valve Industry*

CONTENTS

GREETINGS	3
BRIEF HISTORY	4
CERTIFICATES	5
THINKING of HUNAN and NATURE TOGETHER	6
HIGH PERFORMANCE BUTTERFLY VALVES	8
HIGH PERFORMANCE BUTTERFLY VALVE DIMENSIONS & DESIGN FEATURES	12
BUTTERFLY VALVE H-PERFORMANCE DESIGN	13
HIGH PERFORMANCE BUTTERFLY VALVES MANUAL OPERATED	14
HIGH PERFORMANCE BUTTERFLY VALVES PNEUMATIC, MOTER OPERATED	15
TRIPLE OFFSET BUTTERFLY VALVE DIMENSION TABLE	16
DUAL CHECK VALVES	18
BUTTERFLY VALVES CONCENTRIC DESIGN	20
MANJAL BUTTERFLY VALVES FLANGE	21
MANJAL BUTTERFLY VALVES WAFER, LUGGED	22
HIGH PERFORMANCE BUTTERFLY VALVE DIMENSIONS & DESIGN FEATURES (DHC-BC1R SERIES)	23
LARGE SIZE CONCENTRIC BUTTERFLY VALVE DIMENSION TABLE (DHC-BC1R SERIES)	23
BUTTERFLY VALVE FOR WAFER WORKS	25
RUBBER SEAT BUTTERFLY VALVE DIMENSIONS & DESIGN FEATURES (DHC-BE1R SERIES)	27
TRIPLE OFFSET BUTTERFLY VALVE DIMENSION TABLE	28
CHECK VALVE	30
DIMENSIONS OF CHECK VALVES	31
BUTTERFLY CHECK VALVE(SPECIFICATION)	32
BUTTERFLY CHECK VALVE(FEATURES)	33
SPECIAL BALL VALVES	34
DIMENSIONS OF BALL VALVES (HORIZONTAL-TYPE)	35
CONE SLEEVE VALVES	36
PERFORMANCE CURVE FOR CONE VALVES	37
CONE SLEEVE VALVE (HORIZONTAL, VERTICAL-TYPE)	38
OUTLINE DIMENSIONS FOR STANDARD PRODUCTS	39
ENGINEERING DATA	40
RUBBER SEAT MATERIALS	42



Revolution





GREETINGS

Based on our vast experiences and continuous research & development, Dae Han Control Co., Ltd. has become one of the leading manufacturers of metal seated valves. Power plant, Cogeneration, Petro-Chemical, Refining, Water and waste water purification, Pulp & Paper, Marine, Steel and other Industrial process applications are some of the vast industries that we supply.

Throughout our history, We have endeavored to produce high quality products at competitive prices that meet and exceed customer's expectations.

Our desire is to make DHC valve a recognized standard in the valve industry. I would like to ensure you that each of our products will be conforming to international standards such as ASME/ANSI, MSS, DIN, BS, JIS. Quality Assurance to ISO9001-2000, CE and API, will ensure we maintain a high level of excellence to you our respected customer.

Thank you for your consideration.

President **Y. G. Kim**
DAE HAN CONTROL CO., LTD.



The best of best D.H.C

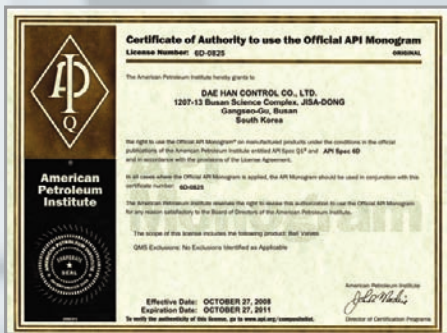


BRIEF HISTORY

- Oct. 1995 • Established DAE HAN CONTROL.
• Started manufacturing Butterfly and Check Valves.
• Exported Valves to Japan.
- Oct. 1998 • Moved into New Factory at Sasang-Gu, Busan, Korea.
• Produced Butterfly Valve of Metal Seat and Hi-Performance Type.
• Exported Valves to South-East Asia.
- Jan. 2000 • Incorporated the company DAEHAN CONTROL CO.,LTD.
- Oct. 2000 • Moved into bigger Factory at Kamjeon-Dong, Sasang-Gu, Busan, Korea.
• ISO 9001 Quality Management System Approved for Butterfly and Check Valves.
• Supplied with POSCO, KEPCO and KHNP.
- Nov, 2002 • Moved into New Factory with bigger Space and Equipments at Songjeong-Dong, Kangseo-Ku, Busan City.
• Started Producing Special Valves.
- Jan. 2005 • Registered vendor list on KEPCO for Butterfly Valves
- Jan. 2006 • Moved into Current Address at #1207-13, Busan Science Complex, Jisa-dong, Kangseo-gu, Busan, Korea.
- Jan. 2007 • Registered vander list on POSCO for Butterfly, Check, Ball and Gate Valves etc.
- Aug. 2007 • Fire Test Certificate Approved for Butterfly Valve.
- Sept. 2007 • CE Certificate Approved for Butterfly and Check Valves.
- Oct. 2008 • API Certificate Approved for Butterfly Valve & Ball Valve.
- Dec. 2008 • Fire Test Certificate Approved for Ball Valve & Plug Valve.



APPROVAL CERTIFICATES

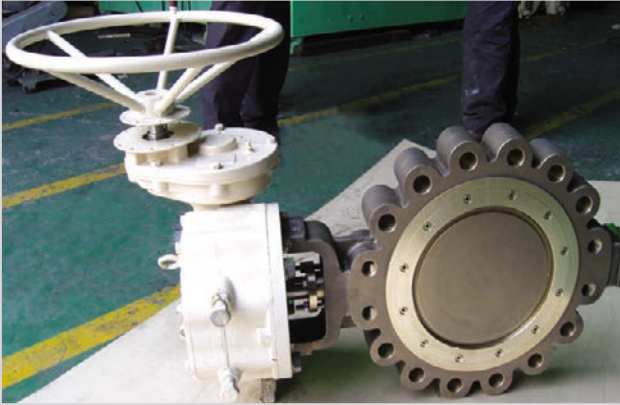


- 1 2 CE CERT(CE 3444/3/2007-1)
- 3 ISO9001 CERT
- 4 LOW TORQUE GATE VALVE
- 5 AQUA SEAL VALVE(GAS CUT-OFF)
- 6 DOUBLE DISC TYPE AQUA SEAL VALVE(GAS CUT-OFF)
- 7 8 API CERT(609-0013 & 6D-0825)

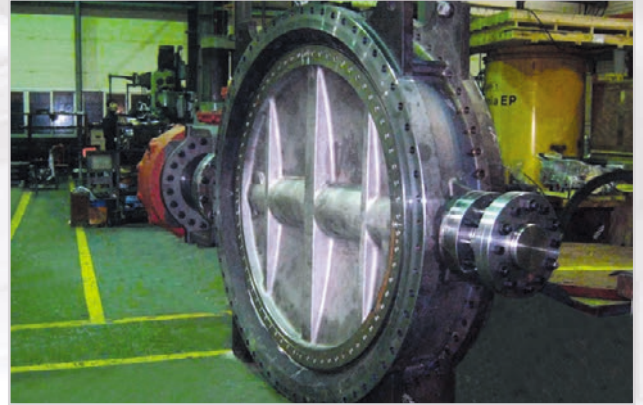


- 9 10 BUTTERFLY VALVE FIRE SAFETY CERT
- 11 12 BALL VALVE FIRE SAFETY CERT
- 13 14 PLUG VALVE FIRE SAFETY CERT

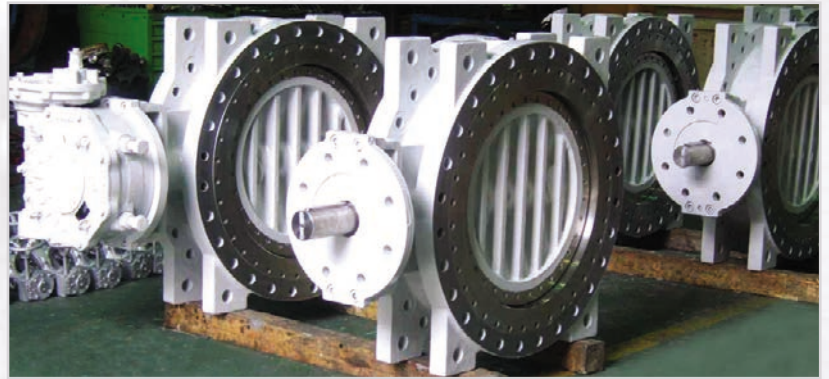
PRODUCTS



FIRE SAFETY TYPE SEAT TRIPLE OFFSET BUTTERFLY VALVE ZERO LEAKAGE BI-DIRECTION TYPE 8"~60"



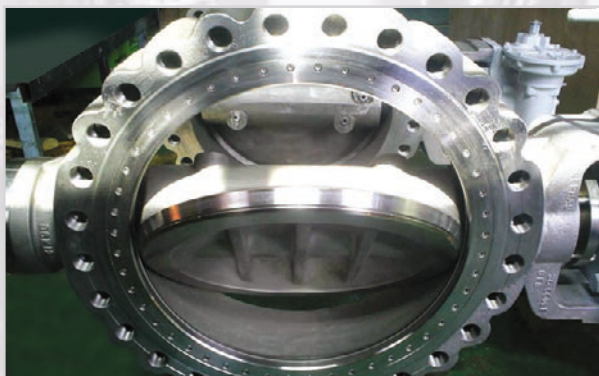
STEAM LINE METAL SEAT TRIPLE OFFSET BUTTERFLY VALVE ZERO LEAKAGE UNI-DIRECTION TYPE 4"~160"



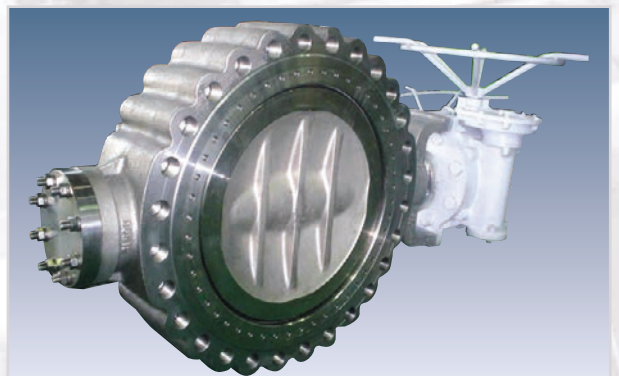
METAL SEAT TRIPLE OFFSET BUTTERFLY VALVE ZERO LEAKAGE BI-DIRECTION TYPE 4"~160"



RUBBER LINED METAL SEAT TRIPLE OFFSET BUTTERFLY VALVE ZERO LEAKAGE UNI-DIRECTION TYPE 1050A ETC. 4"~160"

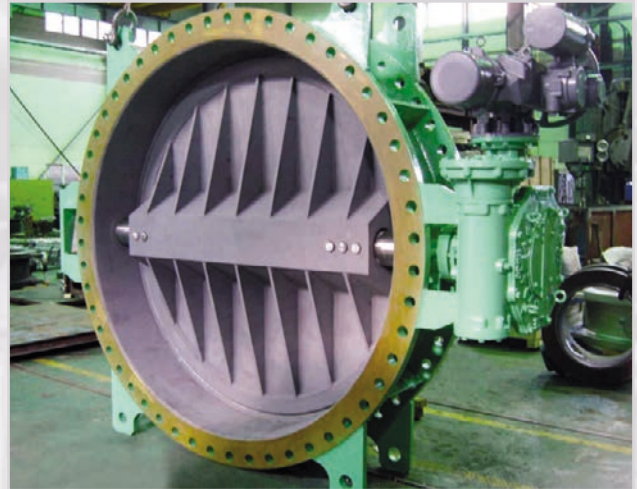


METAL SEAT TRIPLE OFFSET BUTTERFLY VALVE ZERO LEAKAGE UNI-DIRECTION TYPE 8"~60"





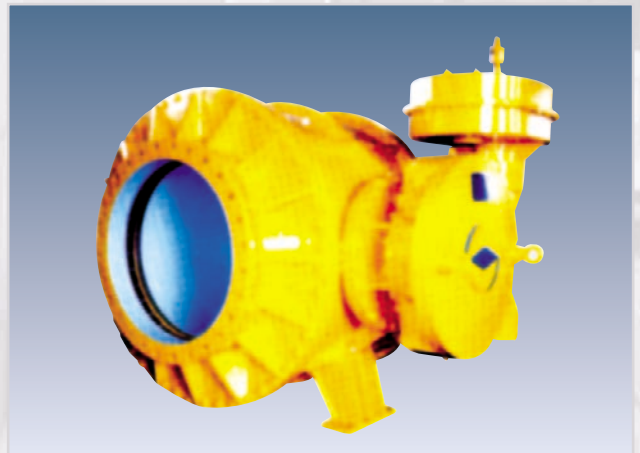
METAL SEAT TRIPLE OFFSET BUTTERFLY VALVE ZERO LEAKAGE UNI-DIRECTION TYPE 4"~160"



BFC GAS LINE METAL SEAT TRIPLE OFFSET BUTTERFLY VALVE ZERO LEAKAGE UNI-DIRECTION TYPE 4"~160"



HI-PRESSURE METAL SEAT TRIPLE OFFSET BUTTERFLY VALVE ZERO LEAKAGE BI-DIRECTION TYPE 4"~160"



LARGE SIZE BALL VALVE TRUNION TYPE 4"~160"



WAFER TYPE BUTTERFLY VALVE ZERO LEAKAGE BI-DIRECTION TYPE 4"~160"



NON-SLAM CHECK VALVE TRIPLE OFFSET ZERO LEAKAGE 4"~160"

HIGH PERFORMANCE BUTTERFLY VALVES

Standard Production Ranges

Rating	ANSI	Class 150	Class 300	Class 600
	ISO	PN 10, 16, 25	PN 25, 40	PN 64
Size	inch	2~48	2~24	3~24
	mm	50~1200	50~600	80~600
Face-to-Face dimensions		ISO 5752/short(DIN3202/K1)	MSS SP-68(1988)	
Bonnet flange		ISO 5211/1		
Connection		Wafer design, Single flange lugged design		
Actuator	Manual	Lock lever handle, Ratchet lever handle, Worm gear, Scotch yoke gear		
	Automatic	Pneumatic double acting cylinder, Pneumatic spring return cylinder, Electric motor, Hydraulic cylinder		

Main Materials

Rating	ANSI Class 150	ANSI Class 300	ANSI Class 600
Body	Carbon steel (A216-WCB) 304 Stainless steel (A351-CF8) 316 Stainless steel (A351-CF8M)		
Disc	A216-WCB/Hard chrome-plated, A216-WCB/Hard chrome-plated, or Stellite A351-CF8, A351-CF8M, A351-CF8/Hard chrome-plated, or Stellite A351-CF8M/Hard chrome-plated, or Stellite		
Shaft	304SS, 316SS, 17-4PH (630SS)		17-4PH (630SS)
Seat	PTFE, R-PTFE* 316SS, Inconel		
Shaft bearing	R-PTFE/316SS 316SS		
Gland packing	PTFE, Grafoil and Nonasbestos		
Seal	R-PTFE, Grafoil		

* R-PTFE=Reinforced PTFE

Seat Materials and working Temperature

Seat materials	Treatment on disc surface	Maximum working temperature °C (°F)
316SS	Hard chrome-plated	Below 300 (572)
Inconel	Hard chrome-plated	Below 350 (662)
Inconel	Stellite	Below 650 (1202)

Seat Leakage

Leakage of metal-seated version is in accordance with the Class V of ANSI B16.104(1076) for permissible leakage rate.(For details see page 12.)

Seat Materials and working Temperature

Seat materials	Maximum working temperature °C (°F)
PTFE	200 (392)
R-PTFE	250 (482)
R-PTFE/316SS	260 (500)
PEEK	250 (482)
PCTFE	-198~180

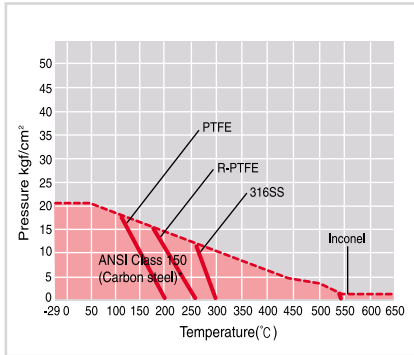
Seat Leakage

Leakage of soft-seated versions(PTFE, R-PTFE, Fire-safe seated) is ZERO.

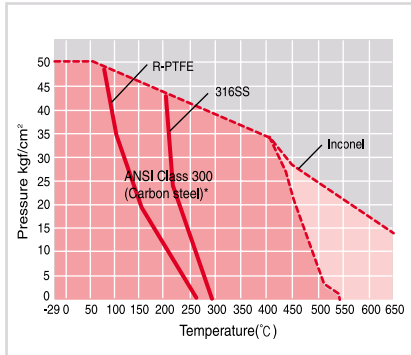
For high-frequency operating cycles (open/close) and higher sealing capability (i.e. lower leakage rate), please consult with our Sales Dept. or Engineering Dept.

Performance Data of the UNIFLOW

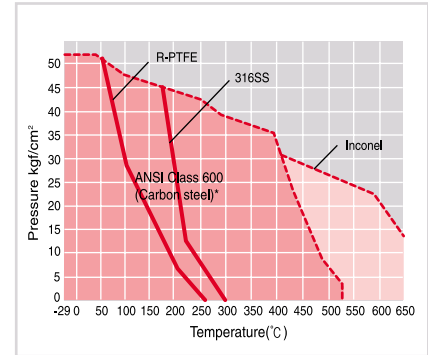
Seat Ratings (ANSI CLASS 150)



ANSI Class 300



ANSI Class 600



Notes to SEAT RATINGS

- ANSI Class 150 : Valve sizes larger than 14" (350mm) equipped with 304SS or 316SS shafts are rated for maximum differential pressure of 150 psi (10kgf/cm²).
- ANSI Class 300 : Maximum differential pressure for valves equipped with 304SS or 316SS shafts is 300 psi (21kgf/cm²).
- ANSI Class 600 : Valve sizes larger than 14"(350mm) are rated for maximum differential pressure of 600 ps (42kgf/cm²).

For further questions about the maximum working pressure, please consult with our Sales Dept. or Engineering Dept.

* Body rating is based on carbon steel.

Valve Body Ratings

These are maximum working pressures for valve bodies only.

The seat ratings shown above determine the practical pressure limitations.

ANSI Class	150		300		600		
	Temperature °C(°F)	Carbon steel Mpa(ksi)	316SS Mpa(ksi)	Carbon steel Mpa(ksi)	316SS Mpa(ksi)	Carbon steel Mpa(ksi)	316SS Mpa(ksi)
-29(-20) to 38(100)		2.0 (285)	1.9 (275)	5.2 (740)	5.0 (720)	10.4 (1480)	10.1 (1440)
100(200)		1.8 (260)	1.7 (240)	4.7 (675)	4.3 (620)	9.5 (1350)	8.7 (1240)
150(300)		1.6 (230)	1.5 (215)	4.6 (655)	3.9 (560)	9.2 (1315)	7.8 (1120)
200(400)		1.4 (205)	1.4 (205)	4.4 (635)	3.6 (515)	8.9 (1270)	7.2 (1030)
260(500)		1.2 (170)	1.2 (170)	4.2 (600)	3.3 (480)	8.4 (1200)	6.7 (955)
320(600)		1.0 (140)	1.0 (140)	3.9 (560)	3.2 (450)	7.7 (1100)	3.6 (905)
340(650)		0.87 (125)	0.87 (125)	3.7 (535)	3.1 (445)	7.5 (1075)	6.2 (890)
370(700)		0.77 (110)	0.77 (110)	3.7 (535)	3.0 (430)	7.5 (1075)	6.1 (865)
400(750)		0.66 (95)	0.66 (95)	3.5 (505)	3.0 (430)	7.1 (1010)	5.9 (845)
430(800)		0.56(80)	0.56 (80)	2.9 (415)	2.9 (415)	5.8 (830)	5.8 (830)
450(850)		0.46 (65)	0.46 (65)	1.9 (275)	2.7 (405)	3.7 (535)	5.7 (810)
480(900)		0.35(50)	0.35 (50)	1.2 (170)	2.8 (395)	2.4 (345)	5.5 (790)
510(950)		0.25 (35)	0.25 (35)	0.74 (105)	2.7 (385)	1.4 (205)	5.1 (775)
540(1000)		0.14 (20)	0.14 (20)	0.35 (50)	2.6 (365)	0.74 (105)	5.1 (775)
570(1050)		-	-	-	2.5 (360)	-	5.0 (720)
590(1100)		-	-	-	2.3 (325)	-	4.5 (645)
650(150)		-	-	-	1.9 (275)	-	3.9 (560)
650(200)		-	-	-	1.4 (205)	-	2.9 (415)
Test pressure		3.1 (445)	2.9 (445)	7.9 (1125)	7.7 (1100)	15.8 (2250)	15.4 (2200)

Seat Leakage

Leakage of the soft-seated UNIFLOW (PTFE, R-PTFE, FIRE-SAFE SEATED) IS ZERO.

Leakage of metal-seated UNIFLOW is in accordance with Class V (water) Or ANSI B16.014(1976) for allowable seat leakage.

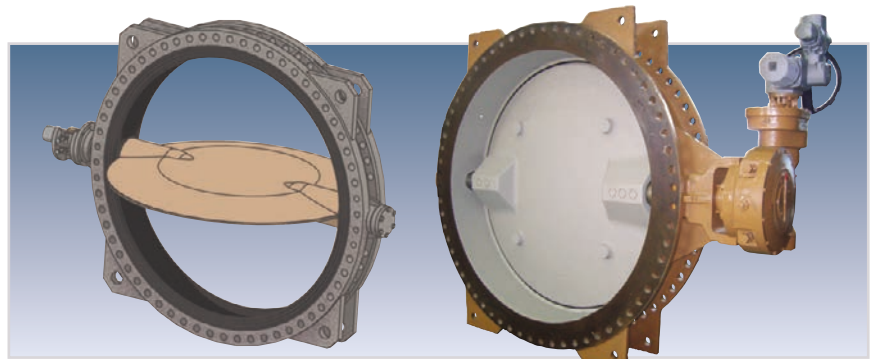
Size		ΔP (bar)			
inch	mm	10	16	20	25
2	50	0.15	0.24	0.3	0.38
2-1/2	65	0.19	0.3	0.38	0.48
3	80	0.24	0.38	0.48	0.6
4	100	0.3	0.48	0.6	0.75
5	125	0.38	0.6	0.75	0.95
6	150	0.45	0.72	0.9	1.13
8	200	0.6	0.96	1.2	1.5
10	250	0.75	1.2	1.5	1.88
12	300	0.9	1.44	1.8	2.25
14	350	1.05	1.68	2.1	2.63
16	400	1.2	1.92	2.4	3.0
18	450	1.35	2.16	2.7	3.38
20	500	1.5	2.4	3.0	3.75
22	550	1.65	2.64	3.3	4.13
24	600	1.8	2.89	3.6	4.5

Qa (allowable leakage) (cc/minute) = $3 \times 10^{-4} \times \text{nominal size (mm)} \times \Delta P(\text{bar})$ or $0.0075 \times \text{nominal size (inch)} \times \Delta P(\text{bar})$
 ΔP = max. differential pressure

For high-frequency operating cycles (open/close) and higher sealing capability (i.e. lower leakage rate), please consult with our Sales Dept. or Engineering Dept.

PRODUCTS

RESILIENT SEAT BUTTERFLY
 METAL SEAT BUTTERFLY
 HI-PERFORMANCE TYPE
 CONCENTRIC TYPE
 FLANGE, LUG, WAFER, WELDED
 API609 RESISTRATION
 ALL BUTTERFLY VALVES



CONCENTRIC & WATER WORKS TYPE

SIZE RANGE

DN150~DN4000

PRESSURE RATING

-ANSI150LB-DIN
 -BS PN6~PN20
 -JIS/KS 6K~20K ETC

TEMPERATURE RATING

FROM -196deg.C TO 200deg.C

FIRE SAFETY

-API 607 STD.
 -METAL SEATED
 -RESILIENT SEATED
 -BUTTERFLY, CHECK,
 BALL GATE, GLOBE VALVES



QUALITY ASSURANCE SYSTEM

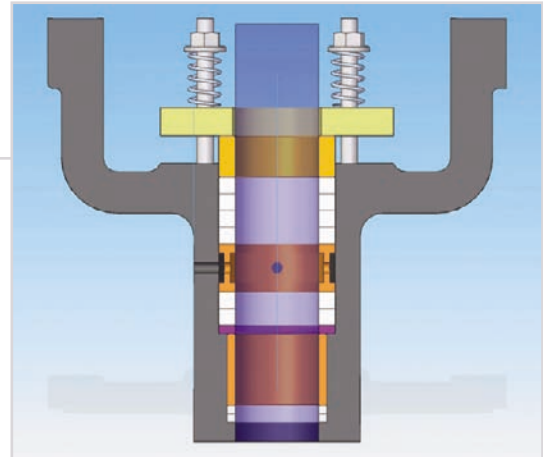
ISO9001 API609/6D/Q1

MATERIALS

- BODY/DISC** - ALUMINIUM BRONZ STAINLESS STEEL
DUCTILE IRON+R/L CAST STEEL+R/L
- SEAT** - N.B.R EPDM VITON PTFE/R-PTFE
(GLASS,CARBON,GRAPHITE)
- SHAFT** - STAINLESS STEEL MONEL K-500
DUPLEX SM0254 ETC.

SELF ADJUSTABLE SPRING WASHER(OPTION) VACUUM , HIGH/LOW TEMP.

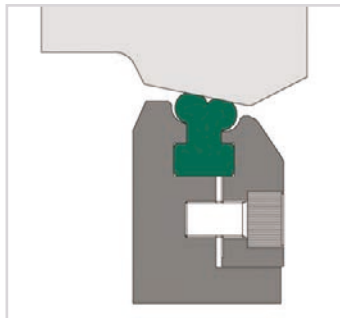
This device prevents leakage from upper side of packing by the built-in spring on packing gland without extra maintenances even a long time after valve installations.



NEW TYPE SEAT (HIP-TYPE)

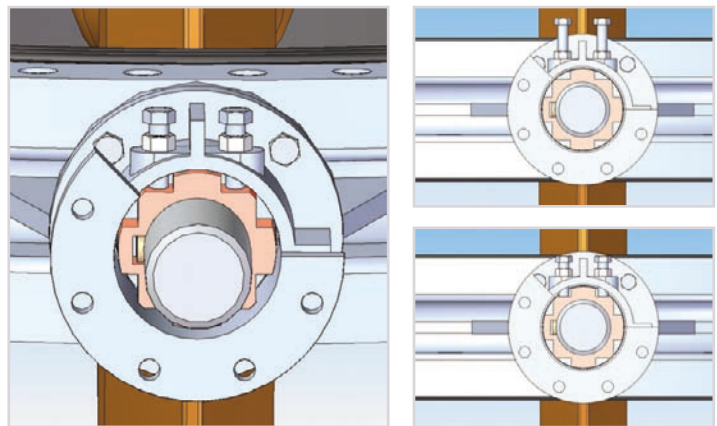
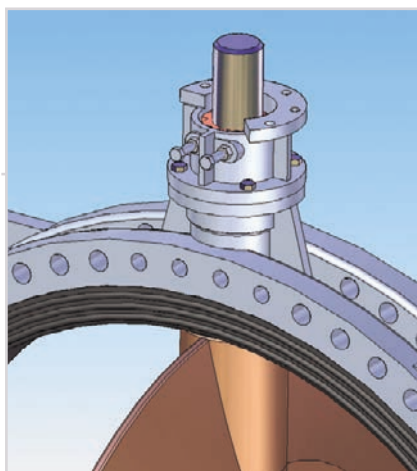
HIP-TYPE SEAT

This HIP TYPE SEAT secures much lower leakage incidence than a general rubber seated valve by the dual cutting of fluid flows.



CAVITATION FREE

It is needed to stop fluid flows when installing or separating a actuator at its open position. However, valve with CAVITATION HOLDER can remove vibrations of valve in its open position. It is possible to attach this device to almost all valves with small installation spaces.



CAVITATION HOLDER CONNECTING DIMENSION

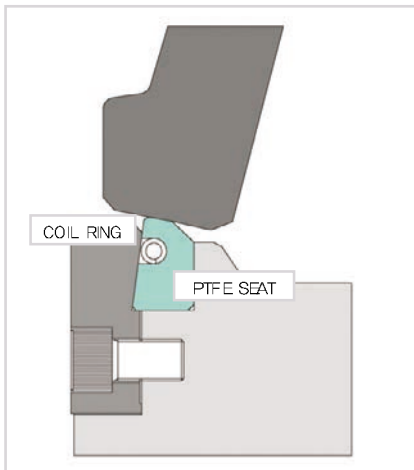
- VALVE SIZE(1050A~4000A)
- FASTENING AREAS OF VALVE : ISO5210/5211 STANDARD
- FASTENING AREAS OF ACTUATOR : ISO5210/5211 STANDARD
- Changeable if required.

* CONCENTRIC BUTTERFLY VALVE WITH CAVITATION HOLDER

HIGH PERFORMANCE BUTTERFLY VALVE DIMENSION & DESIGN FEATURE (DHC-BE1R SERIES)

SEAT DESIGN

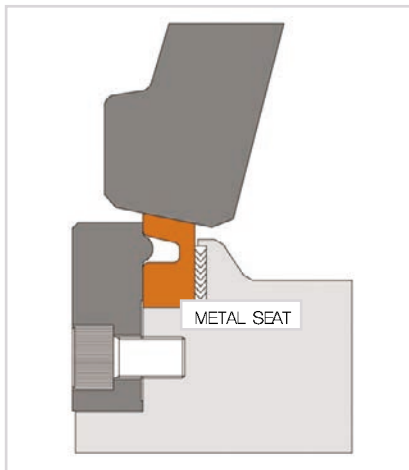
RUBBER/PTFE SEAT (BI-DIRECTIONAL)



SEAT MATERIALS: NBR, NR, VITON, PTFE, R-PTFE (GLASS, CARBON)

FEATURES: BI-DIRECTIONAL TYPE BACK UP COIL SPRING on center of BI-DIRECTIONAL SEAT increases its sealing capacities by protecting seat from its distortion.

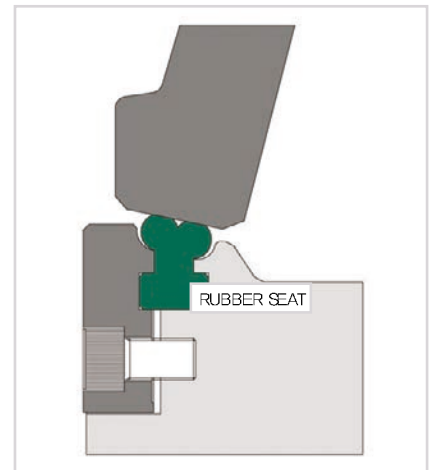
METAL ECCENTRIC (HI/LOW TEMP/PRESSURE)



SEAT MATERIALS: STAINLESS STEEL, MONEL, DUPLEX ETC.

FEATURES: POCKET on center of seat can excellently secure mobility by protecting disc from sticking to seat, even in midst of heat expansion of seat by the fluid with high temperature.

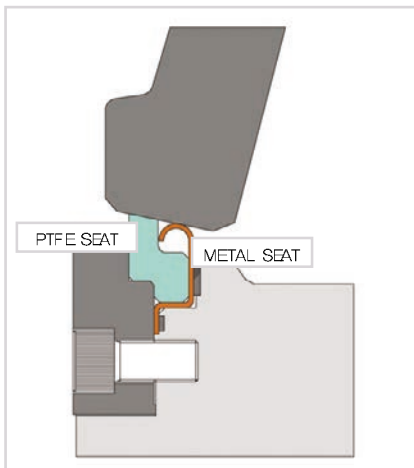
HIP-TYPE SEAT (FOR WATER WORKS)



SEAT MATERIALS: NBR, NR, VITON, EPDM, SILICON, ETC

FEATURES: Excellent sealing performance compared to conventional rubber seat by adopting DUAL SPHERICAL SHAPE SEAT STRUCTURE which could shut down the fluid flows with multiple scheme.

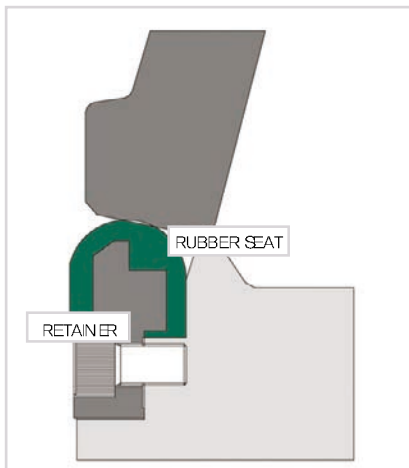
FIRE SAFETY TYPE SEAT



SEAT MATERIALS: NBR, NR, VITON, PTFE, R-PTFE (GLASS, CARBON) WITH METAL SEAT

FEATURES: FIRE SAFETY TYPE SEAT consisting of dual structures of RESILIENT AND METAL materials can prevent seat from burning out in case of fire.

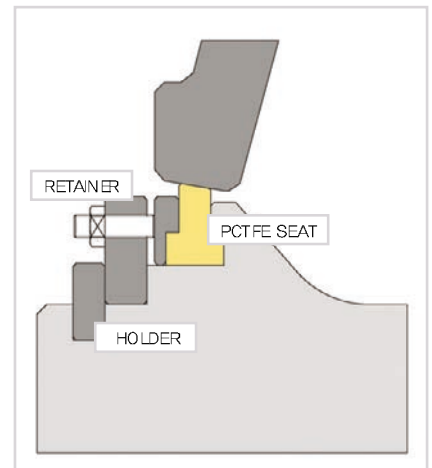
CARGO TYPE SEAT



SEAT MATERIALS: NBR, NR, VITON, PTFE, R-PTFE (GLASS, CARBON) WITH METAL RETAINER

FEATURES: This CARGO TYPE SEAT is suitable for REFINERY LINES by reinforcing strength and sealing capacities of valve by combining retainer and seat.

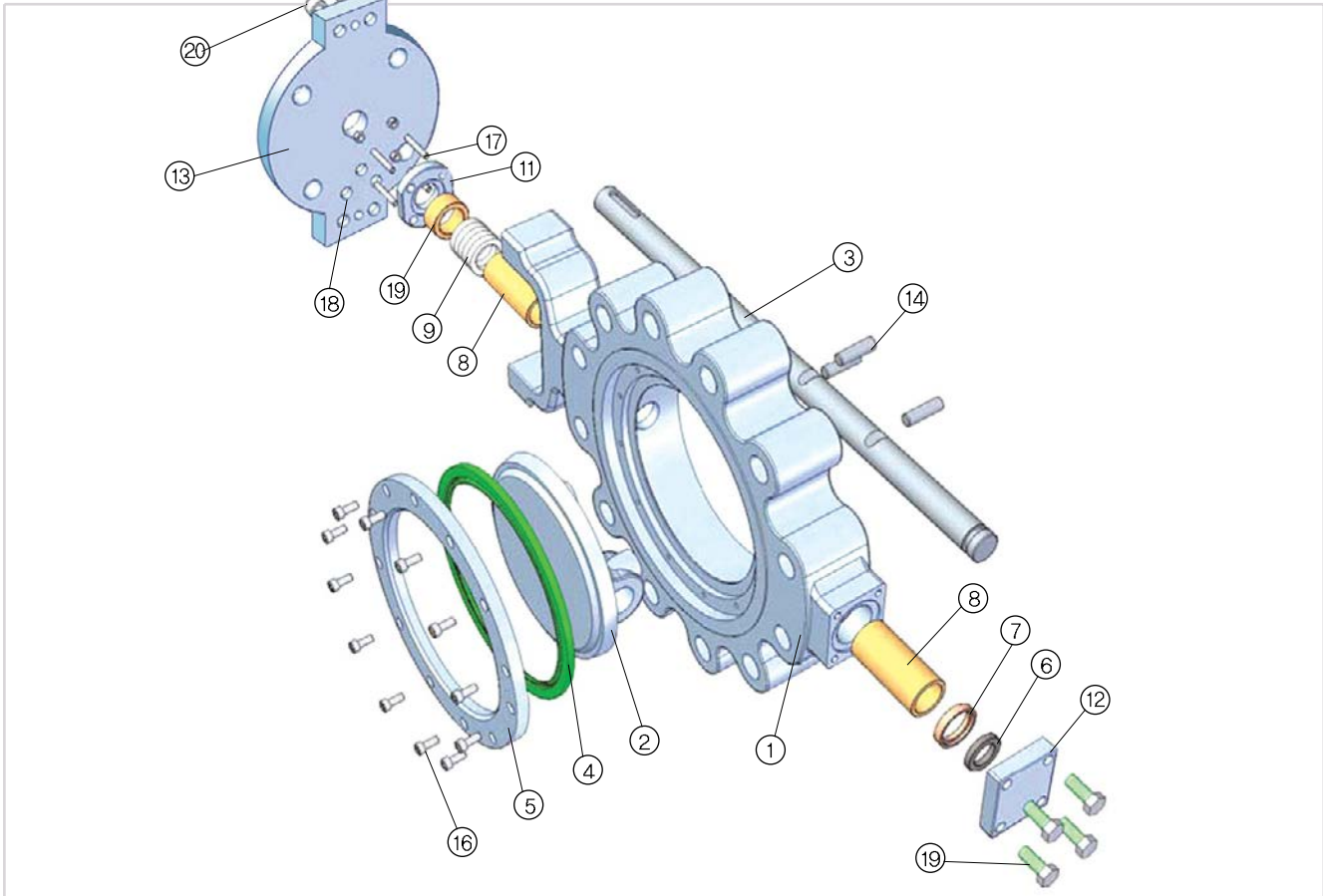
PCTFE SEAT (CRYOGENIC)



SEAT MATERIALS: PCTFE WITH METAL RETAINER

FEATURES: Design for securing the optimal sealing under a extremely low temperature seat adjustable structure to protect disc from the heat distortion.

HIGH PERFORMANCE BUTTERFLY VALVE DESIGN (DHC-BE1R SERIES)



NO.	PART	MATERIALS	REMARK
1	BODY	DUCTILE IRON, CAST STEEL, STAINLESS STEEL, ALUMINIUM BRONZ, ETC	
2	DISC	DUCTILE IRON, CAST STEEL, STAINLESS STEEL, ALUMINIUM BRONZ, ETC	
3	SHFT	STAINLESS, DUPLEX, MONEL	
4	BODY SEAT	PTFE, NBR, EPDM, VITON, SILICON, NR, ETC	
5	BODY SEAT RETAINER	STAINLESS, ALUMINIUM BRONZ, MONEL	
6	SHAFT RING	ALUMINIUM BRONZ, STAINLESS, DUPLEX, MONEL	
7	SHAFT RING HOLDER	STAINLESS, DUPLEX, MONEL	
8	MAIN/STUB BUSH	ALUMINIUM BRONZ, STAINLESS+CHROME	
9	PACKING	PTFE, NBR, EPDM, VITON, SILICON, NR, ETC	
10	PACKING BUSH	BRONZ, ALUMINIUM BRONZ, ETC	
11	PACKING GLAND	STEEL PLATE, STAINLESS, ALUMINIUM B/Z	
12	END COVER/GASKET	STEEL PLATE, STAINLESS, ALUMINIUM BRONZ / NBR, EPDM, ETC	
13	TOP FLANGE	STEEL, STAINLESS, DUPLEX, MONEL, ETC	
14	TAPER PIN	STAINLESS, DUPLEX, MONEL	
16	RETAINER BOLT	STAINLESS, ALUMINIUM BRONZ, MONEL	
17	PACKING BOLT	STAINLESS, ALUMINIUM BRONZ, MONEL	STUD
18	PACKING NUT	STAINLESS, ALUMINIUM BRONZ, MONEL	
19	COVER BOLT	STAINLESS, ALUMINIUM BRONZ, MONEL	
20	BRACKET BOLT	STAINLESS, ALUMINIUM BRONZ, MONEL	

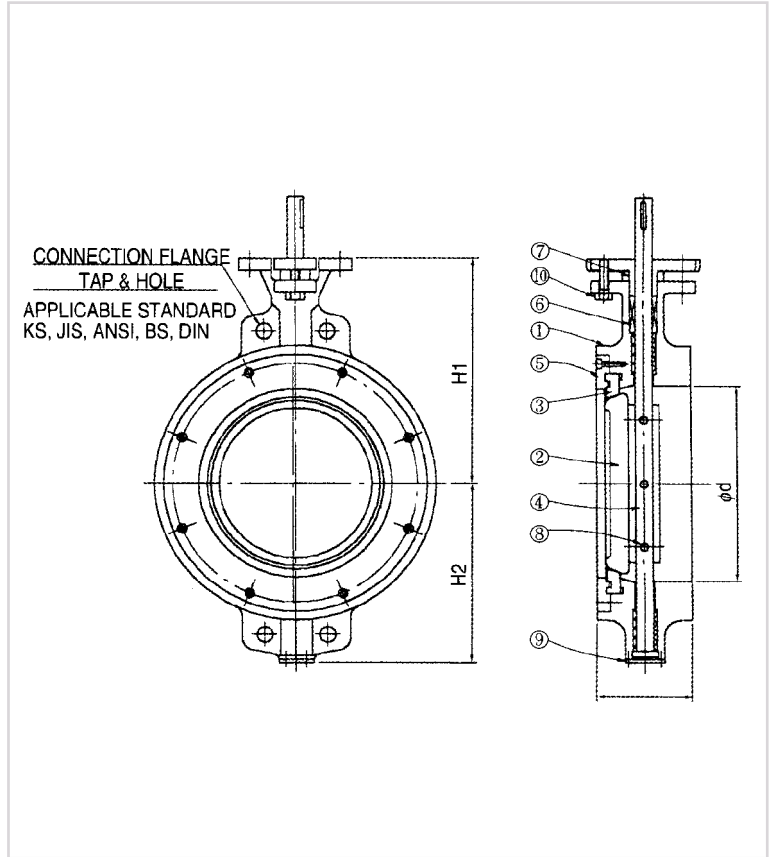
1. END COVER MATERIAL - SAME AS BODY MATERIAL.

HIGH PERFORMANCE BUTTERFLY VALVE MANUAL OPERATED (DHC-BE1R SERIES)

WAFER DESIGN



CONSTRUCTION-WAFER PATTERN



BASIC SPECIFICATIONS

	APPLICABLE FLANGE	TEST PRESSURE		TEST PRESSURE			TEMPERATURE *RANGES	PRODUCTION RANGES
		BODY	TEST	BODY	DISC	SEAT		
SPEC	JIS 10kgf/cm ² JIS 10kgf/cm ² JIS 10kgf/cm ² ANSI 150 PSI ANSI 150 PSI	NOMINAL PRESSURE 1.5 TIMES	NOMINAL PRESSURE 1.1 TIMES	FCD45	SCS13 SCS14	TEFON	-50 °C~+230 °C	50mm~150.0mm
				NETAL		650 °C		50mm~150.0mm

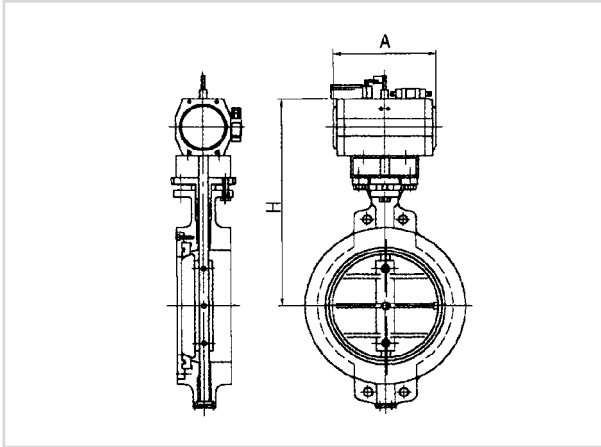
DIMENSION

DIMENSION \ SIZE	50A(2B)	65A(2-1/2B)	80A(3B)	100A(4B)	125A(8B)	150A(6B)	200A(8B)	250A(10B)
D	50	65	78	98	123	148	205	255
L	43	46	46	52	56	56	71	76
H1	138	148	167	181	202	225	263	315
H2	64	74	82	92	105	127	164	235

DIMENSION \ SIZE	300A(12B)	350A(14B)	400A(16B)	450A(18B)	500A(20B)	600A(24B)	700A(828B)
D	305	355	405	460	515	602	712
L	83	92	102	114	127	154	165
H1	340	374	400	416	440	475	580
H2	258	278	333	355	381	409	530

HIGH PERFORMANCE BUTTERFLY VALVE PNEUMATIC OPERATED (DHC-BEIR SERIES)

WAFER DESIGN

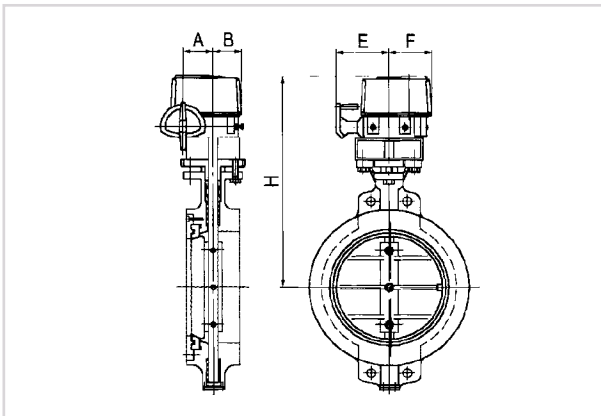


DIMENSIONS

SIZE	DIMENSION	H	A
50A(2B)		295	140
65A(2-1/2B)		305	140
80A(3B)		351	162
100A(4B)		390	194
125A(5B)		411	194
150A(6B)		453	250
200A(8B)		501	250
250A(10B)		595	350
300A(14B)		625	350
350A(14B)		659	350
400A(16B)		739	360

HIGH PERFORMANCE BUTTERFLY VALVE MOTOR OPERATED

WAFER DESIGN

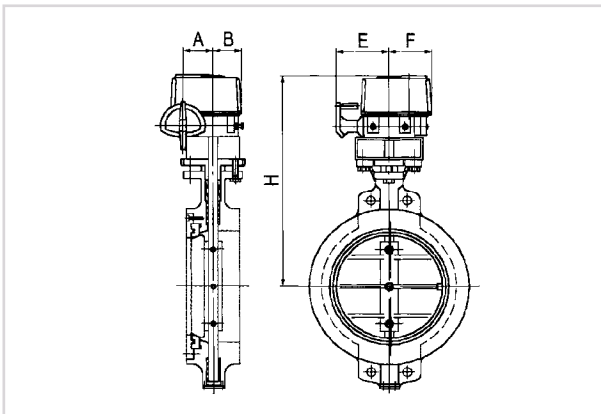


DIMENSIONS

SIZE	DIMENSION	H	A	B	E	F
50A(2B)		380	60	66	155	100
65A(2-1/2B)		390	60	66	155	100
80A(3B)		409	60	66	155	100
100A(4B)		423	60	66	155	100
125A(5B)		466	80	78	151	121
150A(6B)		489	80	78	151	121
200A(8B)		535	80	88	151	130
250A(10B)		587	80	88	151	130
300A(14B)		632	80	88	151	130

HIGH PERFORMANCE BUTTERFLY VALVE MOTOR OPERATED

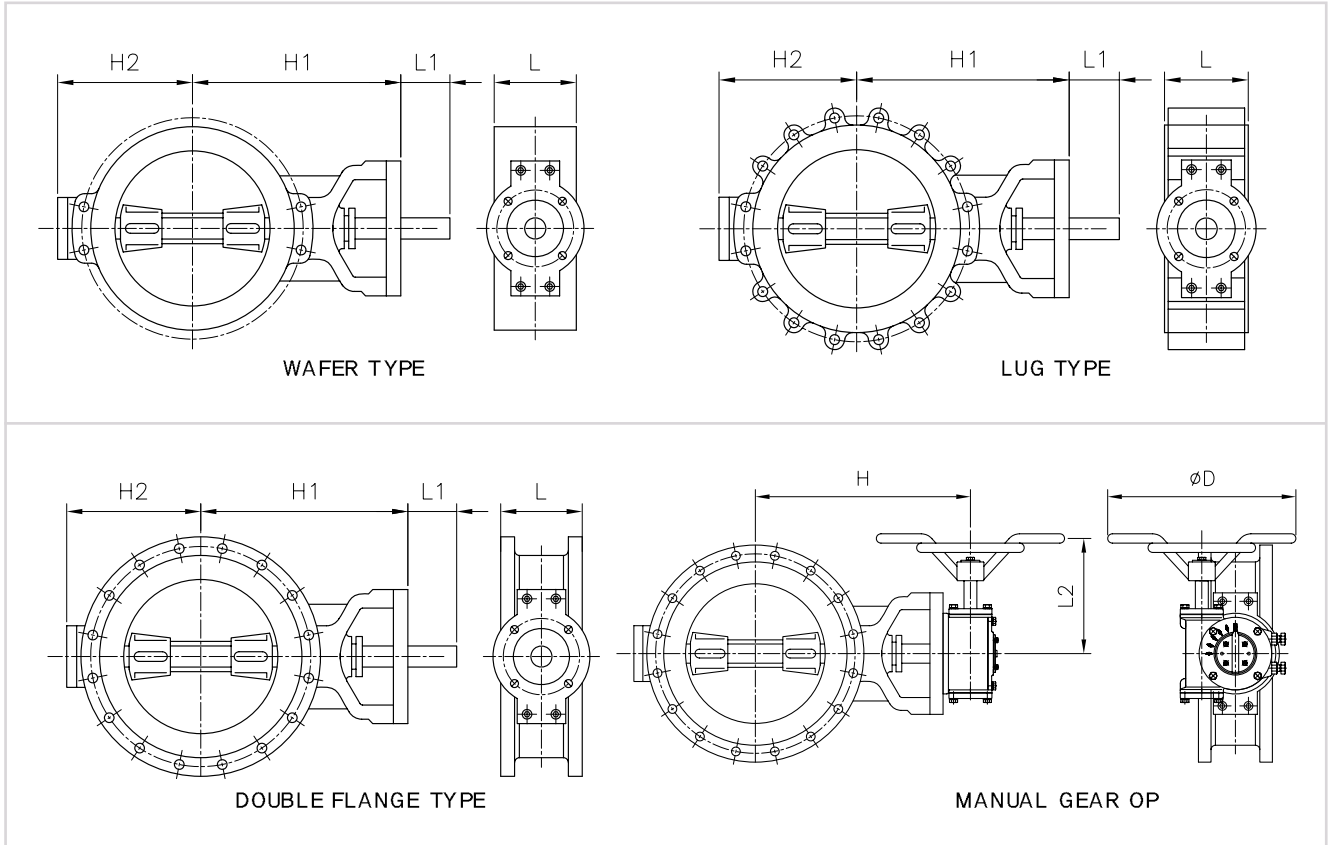
WAFER DESIGN



DIMENSIONS

SIZE	DIMENSION	H	A	B	E	F
350A(14B)		848	230	235	304	293
400A(16B)		874	230	235	304	293
450A(18B)		885	280	235	304	293
500A(20B)		909	280	235	304	293
600A(24B)		974	300	235	304	293
700A(28B)		1059	300	235	304	293

HIGH PERFORMANCE BUTTERFLY VALVE DIMENSION TABLE(mm) (DHC-BE1R SERIES)



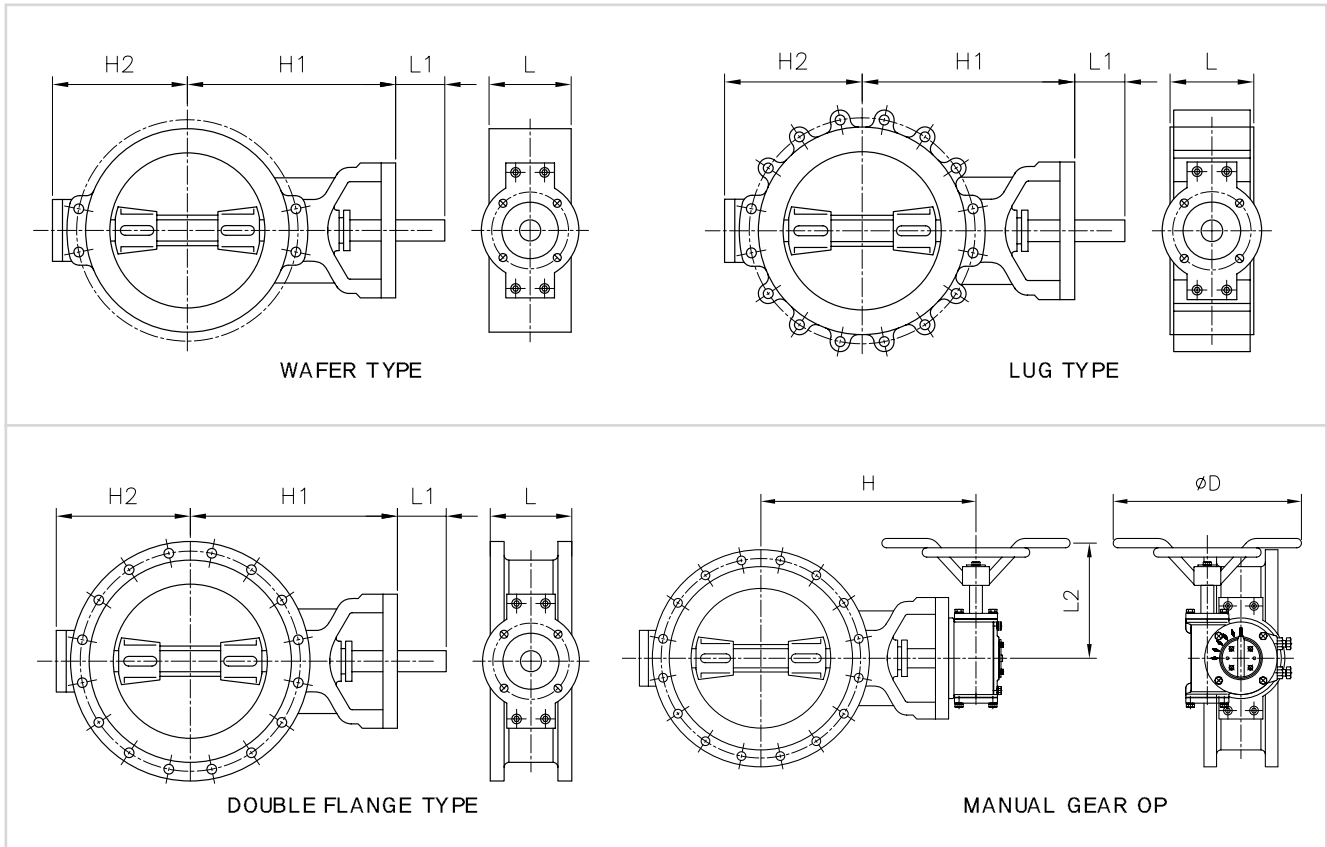
150LB MANUAL GEAR OPERATING TYPE

SIZE		H APPROX	H1 APPROX	H2 APPROX	L1	L (F TO F)			L2	ØD	* WEIGHT:Kg(Approx)		
mm	inch					WAFER	LUG	FLANGE			WAFER	LUG	FLANGE
80	3		165	127	35	48	48	114	206	300	20	21	32
100	4		200	150	35	54	54	127	206	300	20	21	37
150	6	300	245	180	35	57	57	140	206	300	20	22	48
200	8	310	260	195	35	64	64	152	206	300	45	47	89
250	10	335	285	225	65	71	71	165	206	300	57	61	112
300	12	390	335	265	80	81	81	178	230	400	85	91	161
350	14	420	365	290	80	92	92	190	230	400	133	142	228
400	16	500	435	340	80	102	102	216	279	450	186	199	303
450	18	515	452	360	80	114	114	222	279	450	213	229	364
500	20	565	500	395	80	127	127	229	312	560	334	364	499
600	24	635	570	465	110	154	154	267	312	560	455	492	699
700	28	775	685	570	130	165	165	292	371	630	718	777	860
750	30	785	695	600	130	165	165	318	371	630	864	934	1085
800	32	840	750	630	130	190	190	318	425	710	1090	1119	1241
900	36	910	820	690	160	200	200	330	425	710	1418	1553	1716
1000	40	925	835	720	175	216	216	410	425	710	1743	1943	2208
1050	42	980	860	750	175	251	251	410	513	800	2108	2343	2488
1200	48	1140	1020	845	200	276	276	470	513	800	3004	3284	3440

FLANGE RATING—ACCORDING TO ANSI B 16.5/ ASME 16.47 SERIES "A" & "B"/ DIN/ BS/JIS/ USER SPEC

*1 FACE TO FACE DIMENSION—ACCORDING TO MAKER STANDARD.

*2 EXCEPT ACTUATOR



300LB MANUAL GEAR OPERATING TYPE

SIZE		H APPROX	H1 APPROX	H2 APPROX	L1	L (F TO F)			L2	ØD	* WEIGHT: Kg (Approx)		
mm	inch					WAFFER	LUG	FLANGE			WAFFER	LUG	FLANGE
80	3		165	127	35	40	48	114	206	300	20	21	36
100	4		200	151	35	54	54	127	206	300	20	21	46
150	6	330	280	199	65	59	59	140	206	300	36	39	76
200	8	350	295	218	80	73	73	152	230	400	51	56	93
250	10	395	340	251	80	83	83	165	230	400	100	112	164
300	12	450	395	296	80	92	92	178	230	400	134	150	222
350	14	490	425	331	80	117	117	190	279	450	196	229	298
400	16	545	480	377	110	133	133	216	279	450	232	277	357
450	18	605	540	410	110	149	149	222	312	560	360	433	499
500	20	645	580	440	130	159	159	229	312	560	457	549	621
600	24	740	650	515	130	181	181	267	371	630	670	805	916
700	28	910	820	640	200	229	229	292	371	630	1193	1363	1417
750	30	940	850	690	200	241	241	318	425	710	1463	1658	1715
800	32	970	880	720	200	241	241	318	425	710	1661	1856	1957
900	36	1050	960	780	200	260	260	330	425	710	2281	2511	2590
1000	40	1110	990	800	200	300	300	410	513	800	2214	2425	2585
1050	42	1160	1050	840	200	300	300	410	513	800	2439	2649	2849
1200	48	1270	1150	950	250	320	320	470	536	900	3384	3684	4106

FLANGE RATING—ACCORDING TO ANSI B 16.5/ ASME 16.47 SERIES "A" & "B" / DIN / BS / JIS / USER SPEC
 *1 FACE TO FACE DIMENSION—ACCORDING TO MAKER STANDARD.
 *2 EXCEPT ACTUATOR

PRODUCTS

METAL SEAT BUTTERFLY VALVE, HIGH TEMP, HIGH PRESSURE BALL VALVE
CRYOGENIC VALVE, TAP WATER VALVE, SPECIAL VALVE etc.

 **DAE HAN CONTROL CO., LTD.**

1207-13, Busan Science Industrial Complex Jisa-dong, Kangseo-gu, Busan, Korea.
Tel. +82-51-974-1221~3, Fax. +82-51-974-1224 Over seas office : +82-51-941-1223
Homepage : www.dhcv.co.kr E-mail : dhc@dhcv.co.kr