

SEPRO HEAVY DUTY VIBRATING GRIZZLY FEEDER

KEY ADVANTAGES

- Flexible bar design
- Sloped, double or single deck arrangements
- Bolted deck liners
- 0 – 15° installation angle
- Compatible with existing Hewitt Robins™



Hewitt Robins is a registered trademark of Metso Minerals and Tata Group.

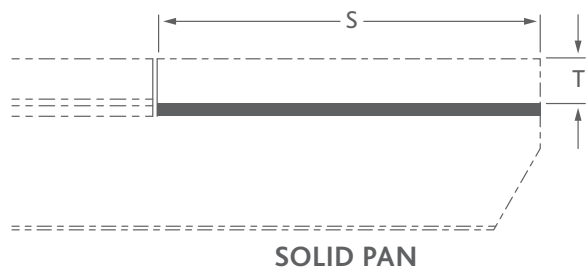
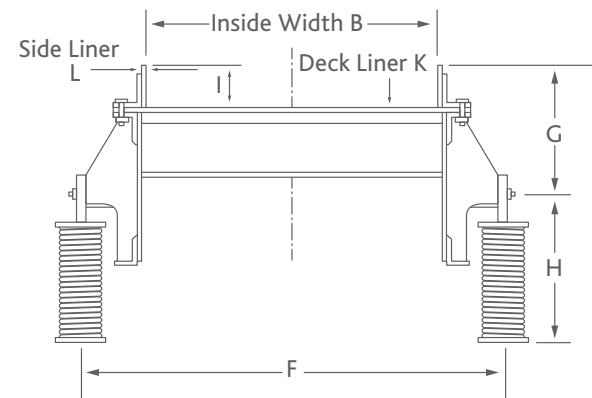
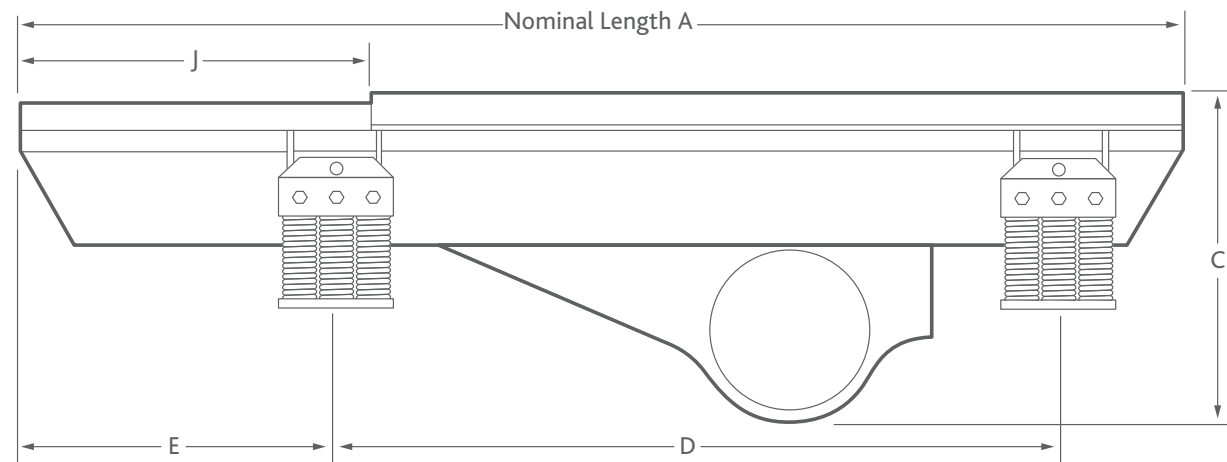
Sepro Mineral Systems Corp.
9850 201 Street, Langley, British Columbia, Canada V1M 4A3
Office: +[1] 604.888.5568 • Fax: +[1] 604.888.5521 • Toll free: +[1] 800.990.5568 North America
sepro@seprosystems.com • www.seprosystems.com



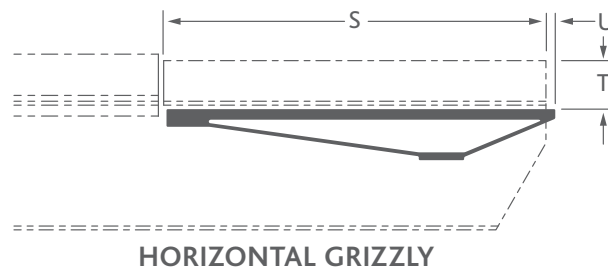
SEPRO HEAVY DUTY VIBRATING GRIZZLY FEEDER

SEPRO HEAVY DUTY VIBRATING GRIZZLY FEEDER

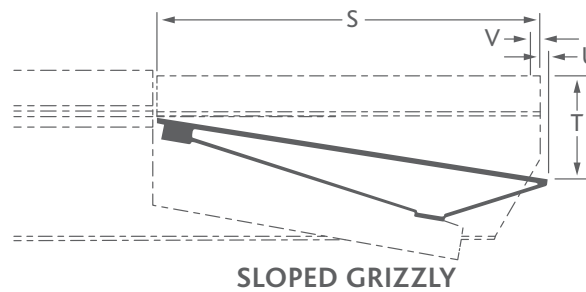
Use Certified Prints for construction purposes



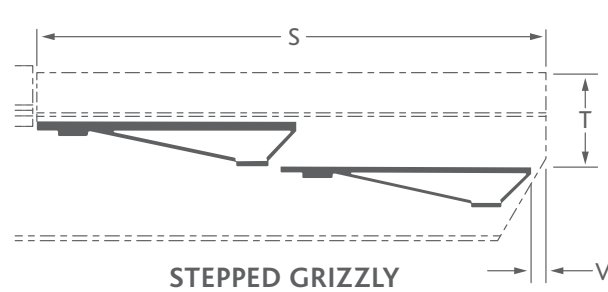
SOLID PAN



HORIZONTAL GRIZZLY



SLOPED GRIZZLY



STEPPED GRIZZLY

FRAME DIMENSIONS

SIZE IN FT. (mm)	VIB. MODEL	DIMENSIONS FT.-IN. (mm)											APPROX. WT. IN LBS. (kgs)	REQ'D. HP	
		A	B	C	D	E	F	G	H	I	J	K	L		
40 x 14 (1016) x (4267)	VL-9	14-0 (4267)	3-3 (991)	4-6 (1372)	8-6 (2591)	3-8 (1118)	4-10 (1473)	1-9 (533)	2-0 (610)	8 1/4" (210)	4' or 6' (1219) or (1829)	1/2" AR (13)	1/2" AR (13)	9,800 (4,445)	20
40 x 16 (1016) x (4877)	VL-9	16-0 (4877)	3-3 (991)	4-6 (1372)	10-6 (3200)	3-8 (1118)	4-10 (1473)	1-9 (533)	2-0 (610)	8 1/4" (210)	4' or 6' (1219) or (1829)	1/2" AR (13)	1/2" AR (13)	11,000 (4,990)	20
46 x 14 (1168) x (4267)	VL-9	14-0 (4267)	3-9 (1143)	4-6 (1372)	8-6 (2591)	3-8 (1118)	5-4 (1626)	1-9 (533)	2-0 (610)	8 1/4" (210)	4' or 6' (1219) or (1829)	1/2" AR (13)	1/2" AR (13)	10,500 (4,763)	20
46 x 16 (1168) x (4877)	VL-9	16-0 (4877)	3-9 (1143)	4-6 (1372)	10-6 (3200)	3-8 (1118)	5-4 (1626)	1-9 (533)	2-0 (610)	8 1/4" (210)	4' or 6' (1219) or (1829)	1/2" AR (13)	1/2" AR (13)	11,800 (5,352)	30
46 x 20 (1168) x (6096)	VL-11	20-0 (6096)	3-9 (1143)	4-6 (1372)	12-9 (3886)	5-4 (1626)	5-4 (1626)	1-9 (533)	2-0 (610)	8 1/4" (210)	6' or 8' (1829) or (2438)	1/2" AR (13)	1/2" AR (13)	16,000 (7,258)	30
52 x 16 (1321) x (4877)	VL-9	16-0 (4877)	4-3 (1295)	4-6 (1372)	10-6 (3200)	3-8 (1118)	5-10 (1778)	1-9 (533)	2-0 (610)	8 1/4" (210)	4' or 6' (1219) or (1829)	3/4" AR (19)	1/2" AR (13)	14,000 (6,350)	25
52 x 20 (1321) x (6096)	VL-11	20-0 (6096)	4-3 (1295)	4-6 (1372)	12-9 (3886)	5-4 (1626)	5-10 (1778)	1-9 (533)	2-0 (610)	8 1/4" (210)	6' or 8' (1829) or (2438)	3/4" AR (19)	1/2" AR (13)	17,000 (7,711)	30
52 x 24 (1321) x (7315)	VE-13	24-0 (7315)	4-3 (1295)	5-8 (1727)	15-3 (4648)	5-4 (1626)	5-10 (1778)	1-9 (533)	2-0 (610)	8 1/4" (210)	6' or 8' (1829) or (2438)	3/4" AR (19)	1/2" AR (13)	21,100 (9,571)	40
64 x 16 (1626) x (4877)	VL-11	16-0 (4877)	5-3 (1600)	4-6 (1372)	10-6 (3200)	3-8 (1118)	6-10 (2083)	1-9 (533)	2-0 (610)	8 1/4" (210)	4' or 6' (1219) or (1829)	3/4" AR (19)	1/2" AR (13)	19,000 (8,618)	40
64 x 20 (1626) x (6096)	VE-13	20-0 (6096)	5-3 (1600)	5-8 (1727)	12-9 (3886)	5-4 (1626)	6-10 (2083)	1-9 (533)	2-0 (610)	8 1/4" (210)	6' or 8' (1829) or (2438)	3/4" AR (19)	1/2" AR (13)	23,800 (10,796)	50
64 x 24 (1626) x (7315)	VE-13	24-0 (7315)	5-3 (1600)	5-8 (1727)	15-3 (4648)	5-4 (1626)	6-10 (2083)	1-9 (533)	2-0 (610)	8 1/4" (210)	6' or 8' (1829) or (2438)	3/4" AR (19)	1/2" AR (13)	27,600 (12,519)	50
76 x 20 (1930) x (6096)	VE-13	20-0 (6096)	6-3 (1905)	5-8 (1727)	12-9 (3886)	5-4 (1626)	7-10 (2083)	1-9 (533)	2-0 (610)	8 1/4" (210)	6' or 8' (1829) or (2438)	3/4" AR (19)	1/2" AR (13)	27,200 (12,338)	60

Use certified prints for construction purposes.

OPTIONAL DISCHARGE SELECTION SPECIFICATIONS

TYPE	SECTION LENGTH S	DIMENSIONS FT.-IN. (mm)		
		T	U	V
Solid Pan	4'-0 (1219)	0-8 1/4" (210)	—	—
	6'-0 (1829)	0-8 1/4" (210)	—	—
	8'-0 (2438)	0-8 1/4" (210)	—	—
Horizontal Grizzly	4'-0 (1219)	0-8 3/4" (222)	1/2" (13)	—
	6'-0 (1829)	0-8 3/4" (222)	1/2" (13)	—
	8'-0 (2438)	0-8 3/4" (222)	1/2" (13)	—
Sloped Grizzly	4'-0 (1219)	1'-4 3/4" (425)	1/2" (13)	—
	6'-0 (1829)	1'-9 1/2" (546)	—	—
	8'-0 (2438)	2'-0 3/4" (628)	—	1/2" (13)
Stepped Grizzly	8'-0 (2438)	1'-5" (432)	—	2 1/2" (64)

Figures in parentheses are millimeters and kilograms.

